



SERIES VZC, VZD

ESBE
NO.1 IN HYDRONIC SYSTEM CONTROL

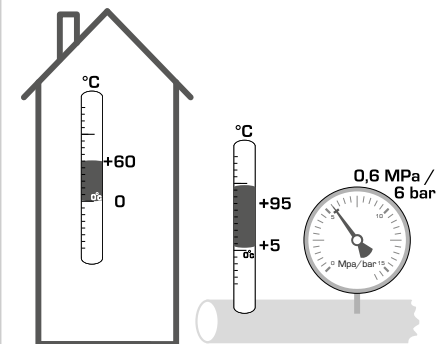
Mtrl.nr: 9814 04 79 • Ritn.nr: 9240 utg. B • Rev. 1605



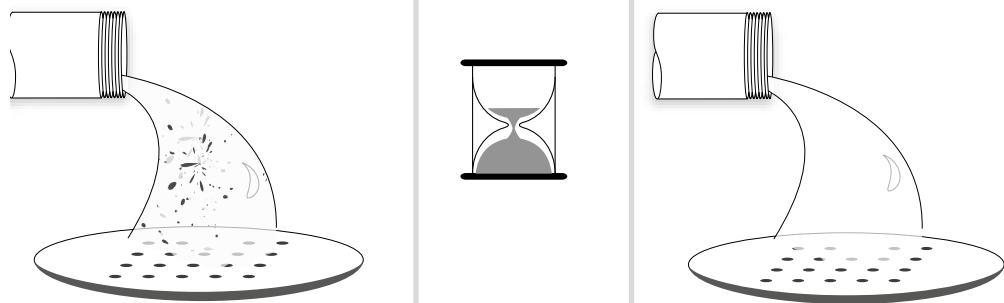
Series VZC151, 161, 152, 162, 253, 263
Series VZD151, 161, 152, 162, 253, 263

CE

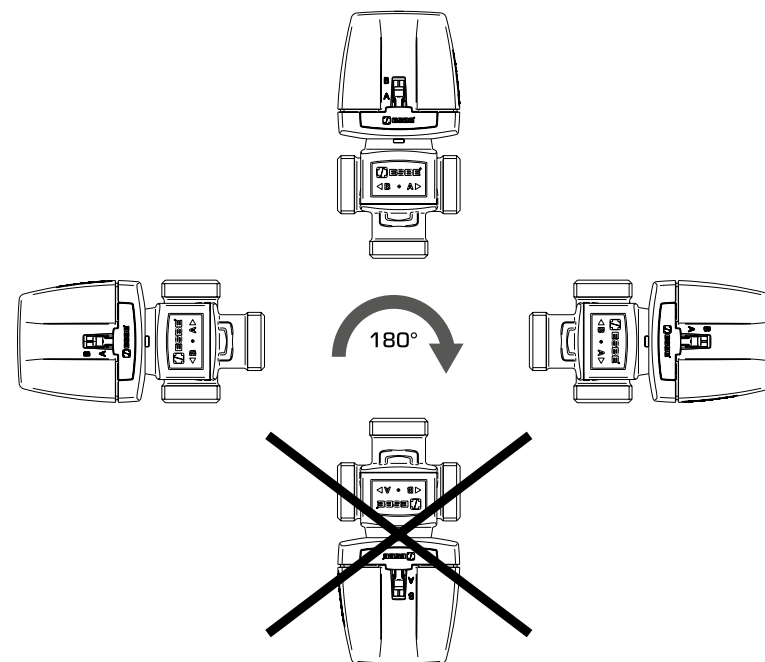
LVD 2014/35/EU
EMC 2014/30/EU
RoHS 2011/65/EU
PED 2014/68/EU, article 4.3



1

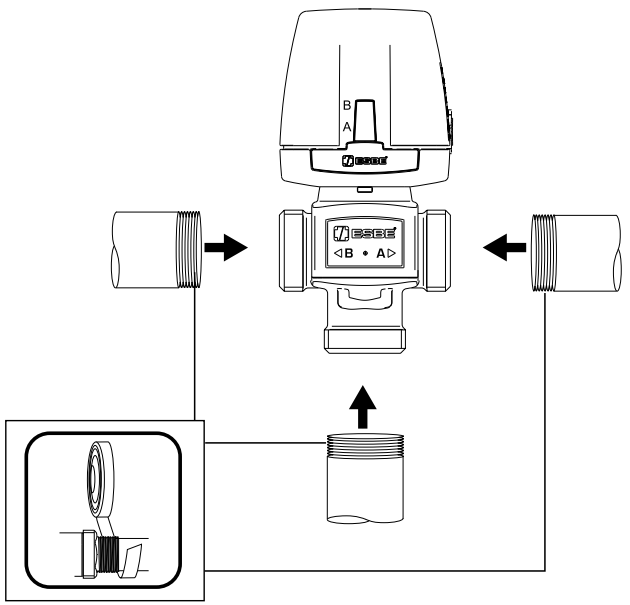


2

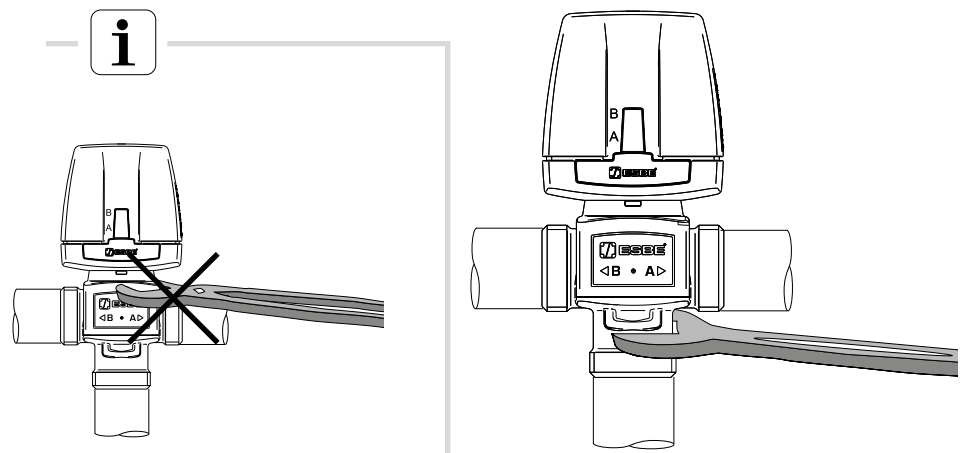


3

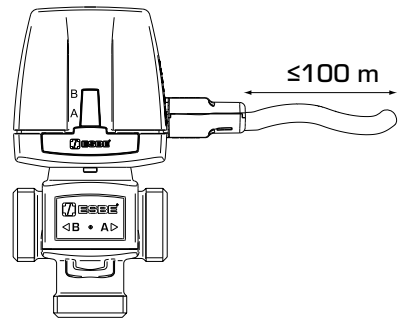
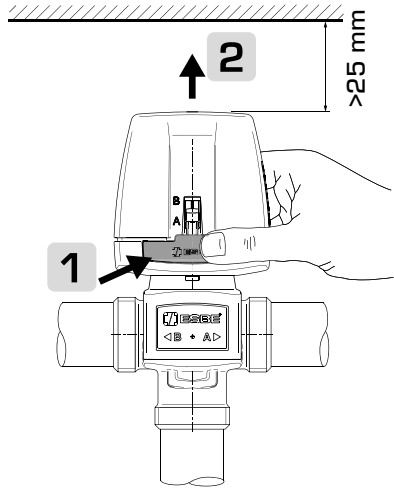
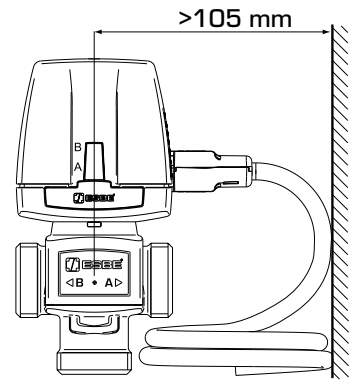
VZC151/VZC161, VZD151/VZD161



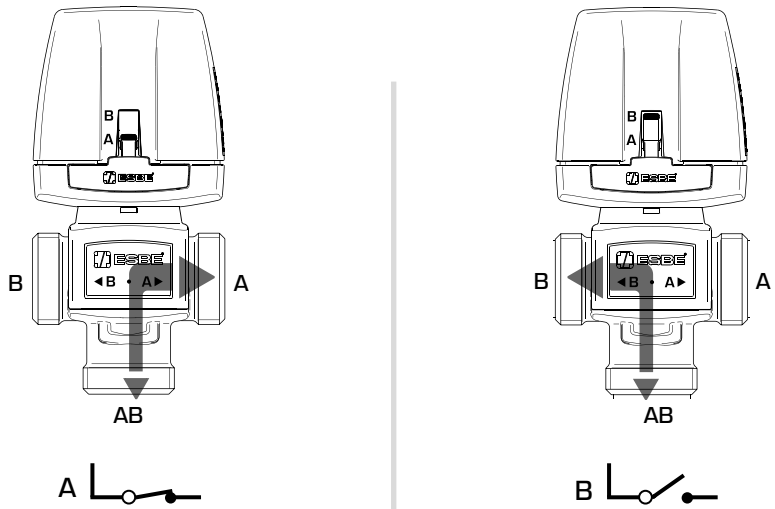
4



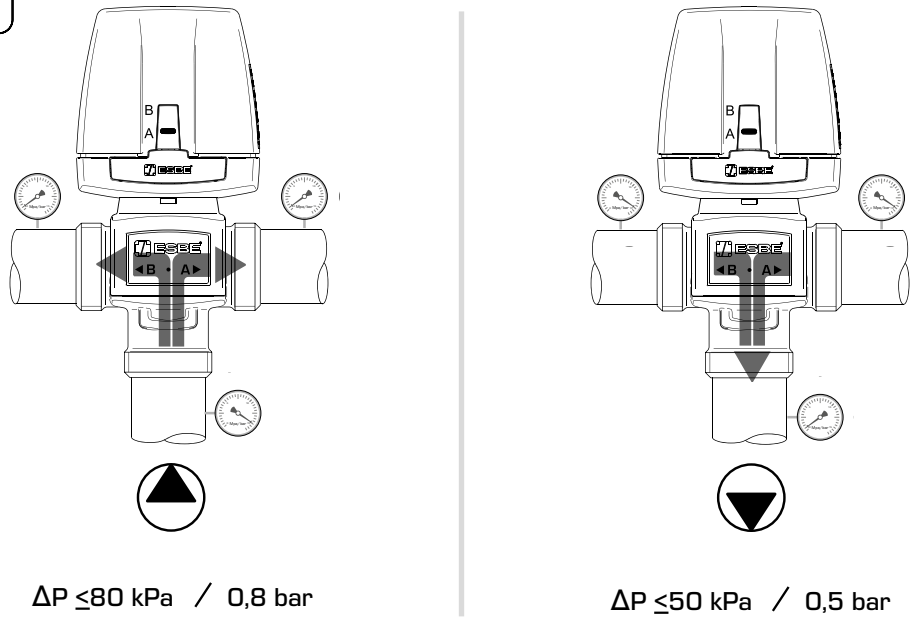
5



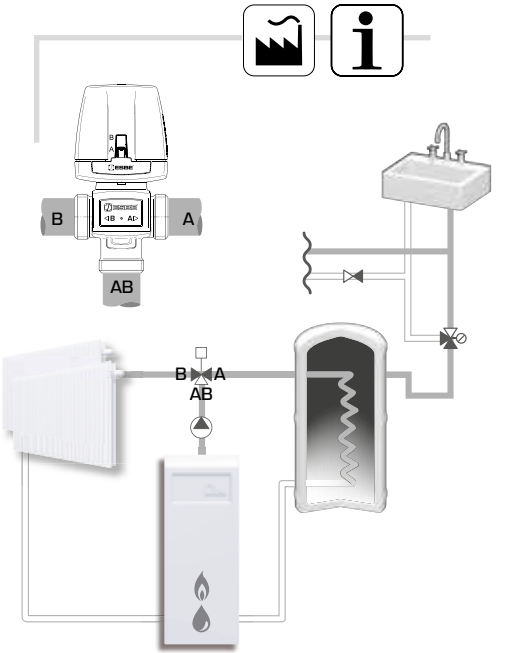
6



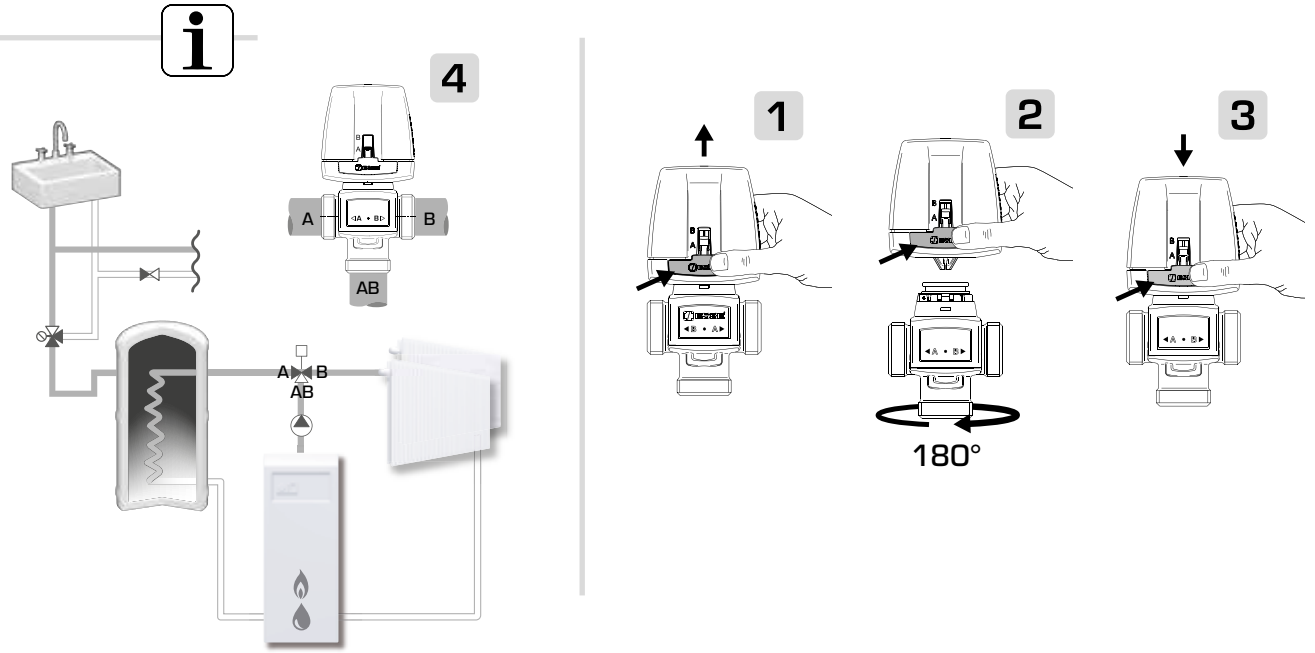
7



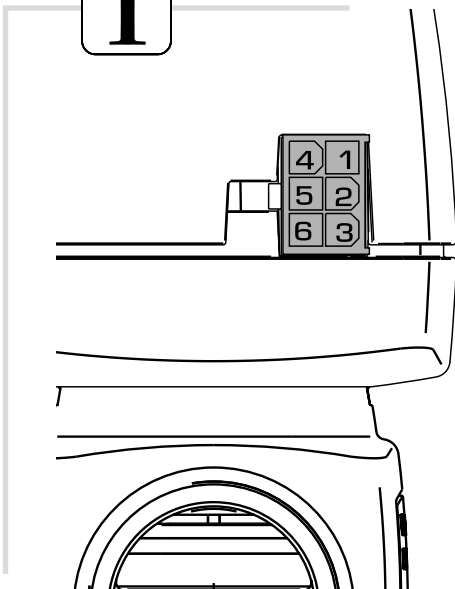
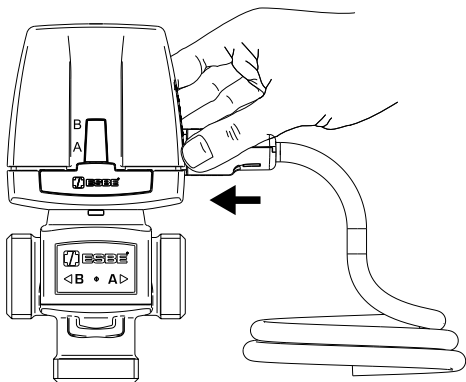
8



9



10

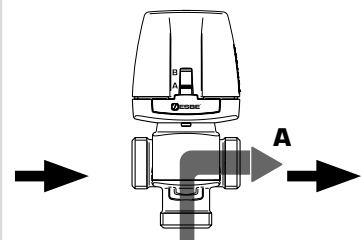
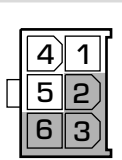
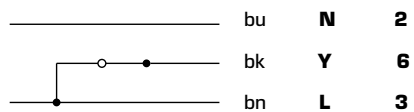


11



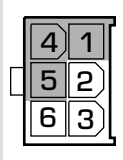
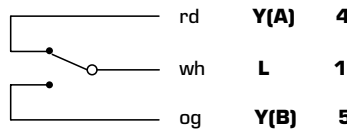
VZC/VZD 151, 152, 253 — VZC/VZD 161, 162, 263

230 VAC, 50Hz

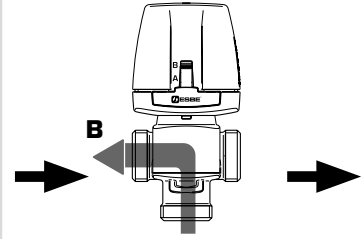
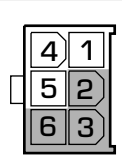
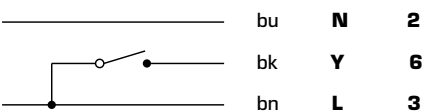


VZC/VZD 151, 152, 253

2[1] A ~
250 V



230 VAC, 50Hz



2[1] A ~
250 V

