



### SERIES LTC200



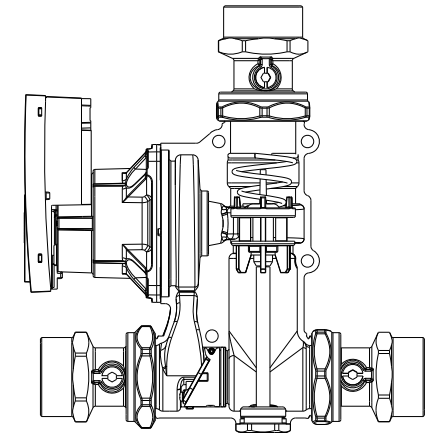
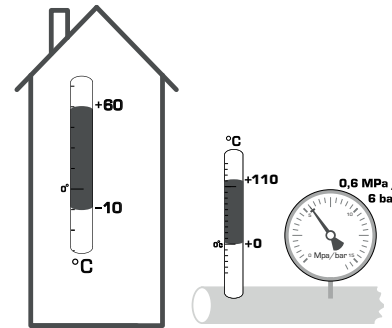
Mtrl.nr: 9814 04 60 • Ritn.nr: 4744 utg. D • Rev. 1609



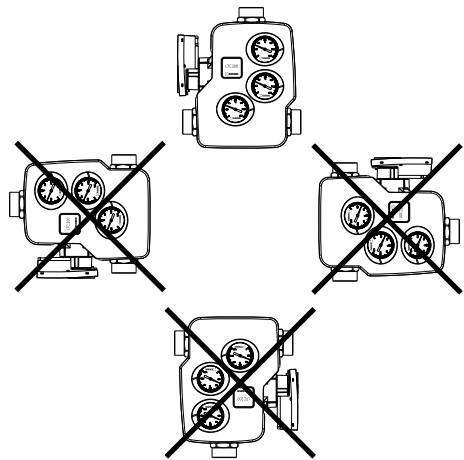
Series LTC261  
Series LTC271



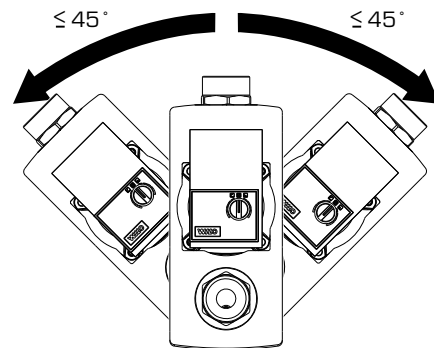
LVD 2014/35/EU  
ErP 2009/125/EU  
EMC 2014/30/EU  
ErP 2015  
RoHS 2011/65/EC  
PED 2014/68/EU, article 4.3



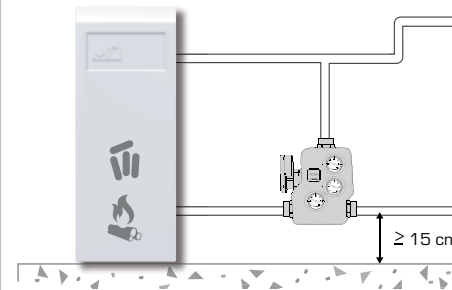
1



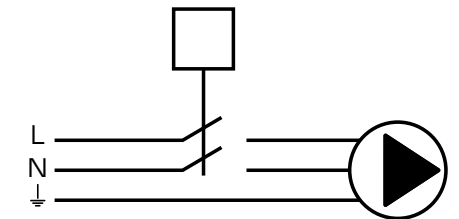
2



3

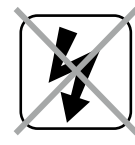
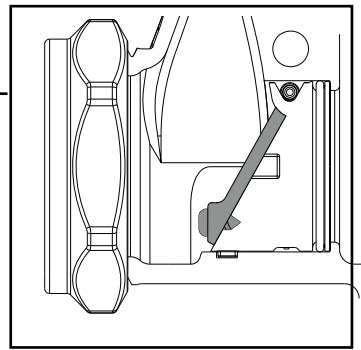
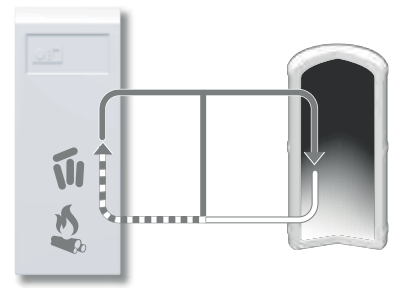


230 VAC, 50Hz

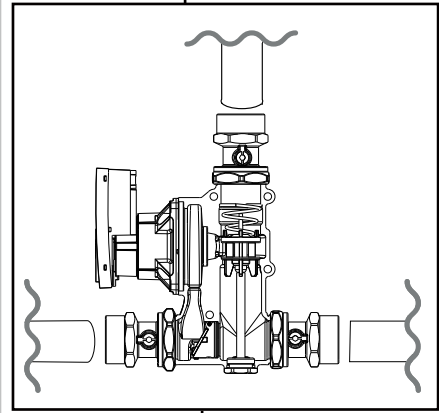
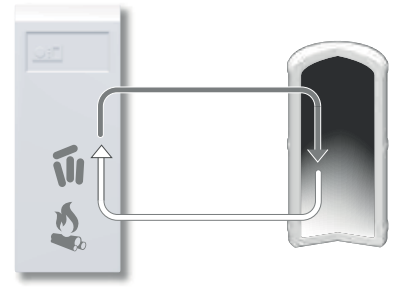
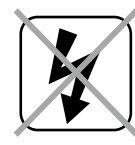
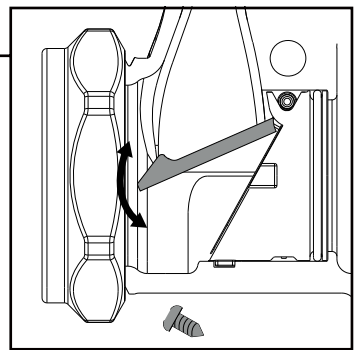
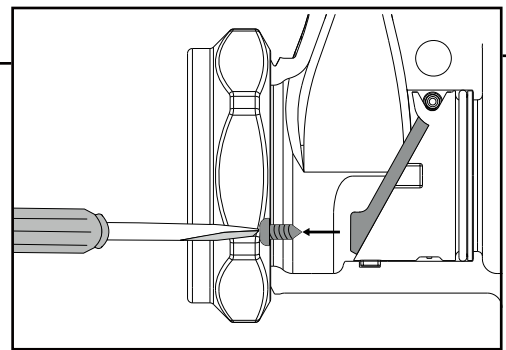
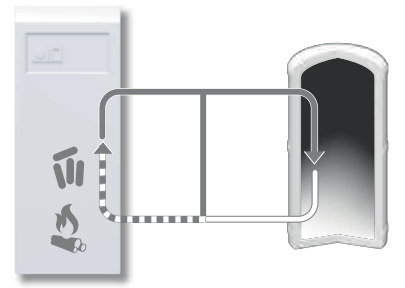


4

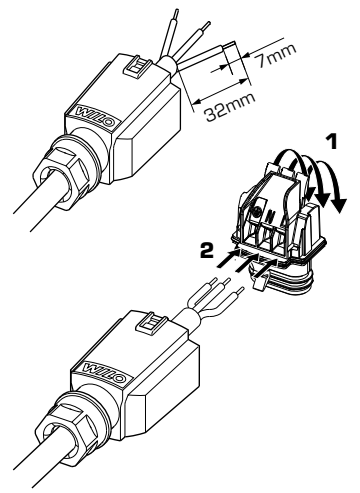
**a**



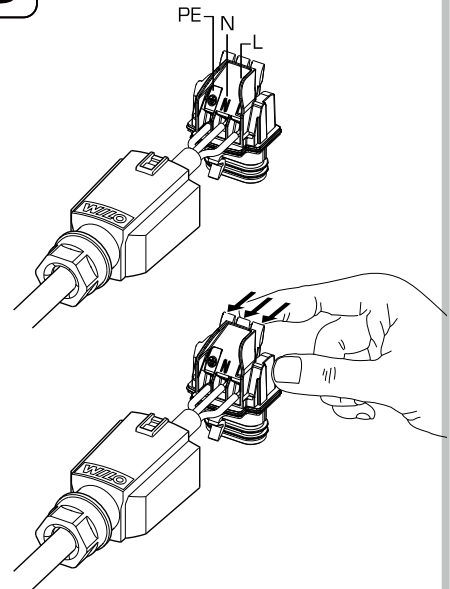
**b**



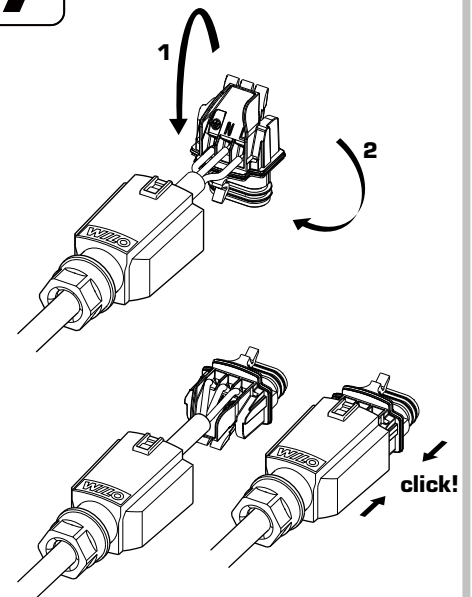
5



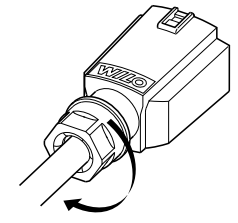
6



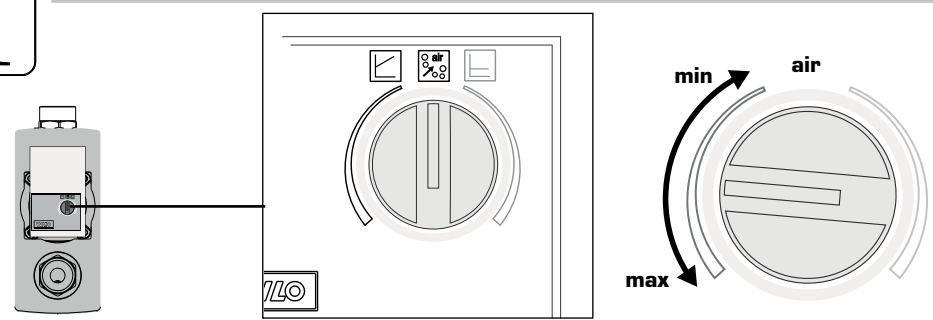
7



8

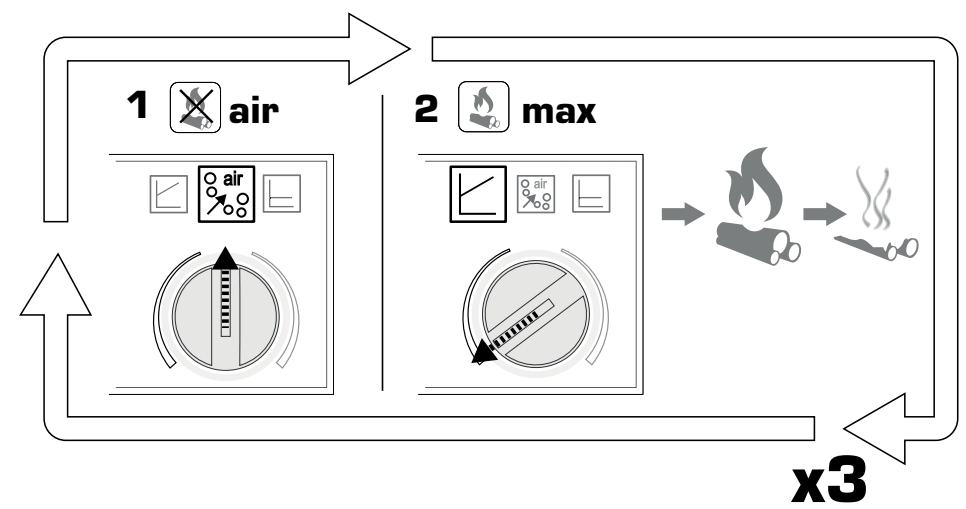


i



9

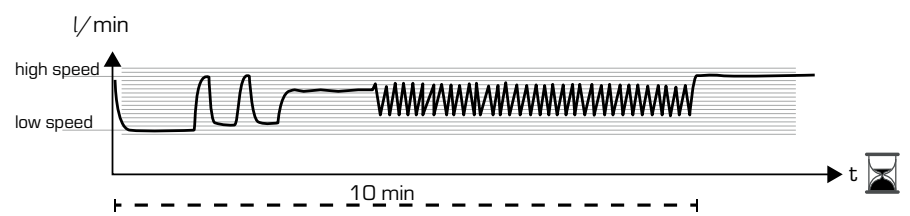
Air venting at commissioning



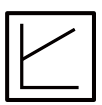
i



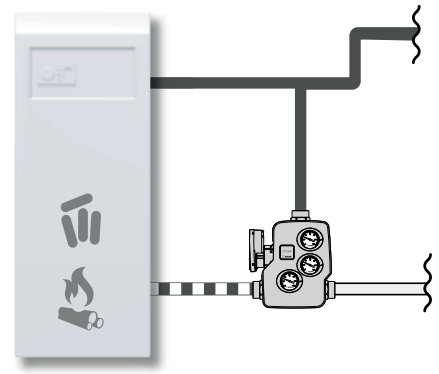
Automatic air venting routine



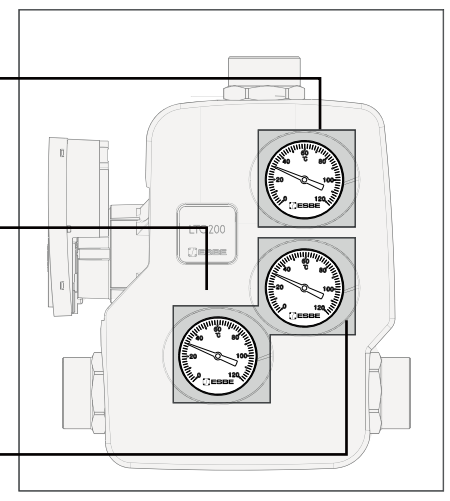
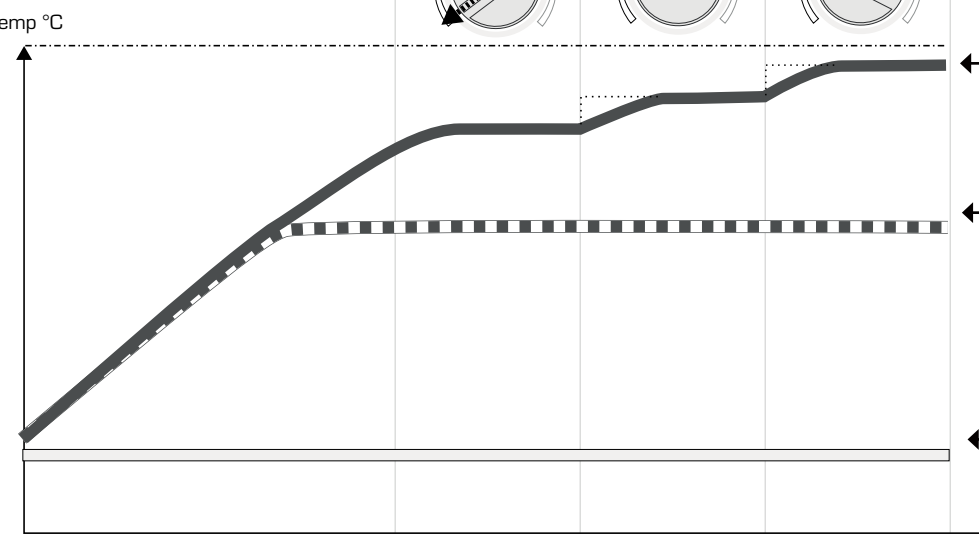
10



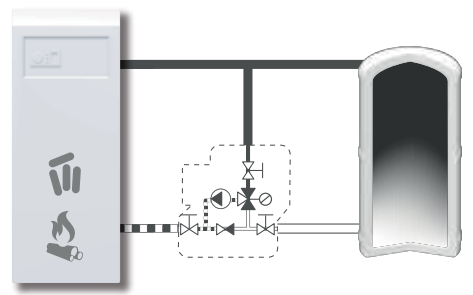
Optimising load temperature



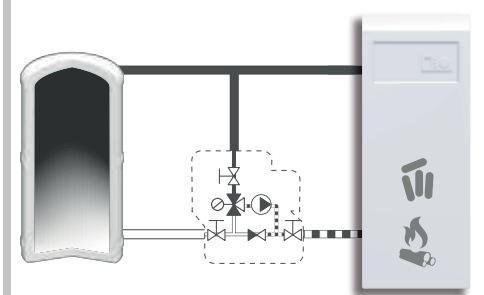
Temp °C



i

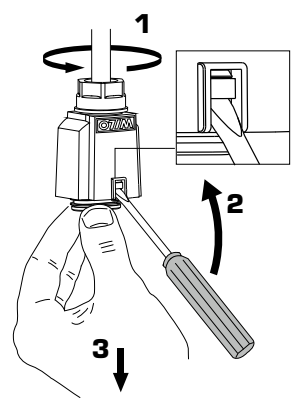


i



Piping Schematics are General Representations

i



i



www.esbe.eu