



SERIES VZC, VZD

ESBE
NO.1 IN HYDRONIC SYSTEM CONTROL

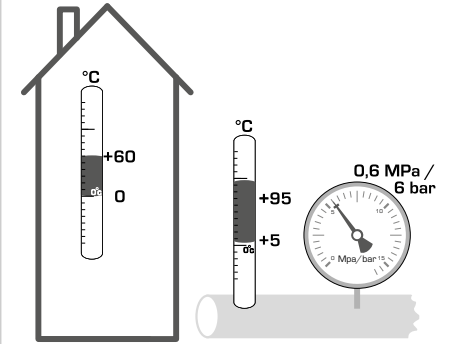
Mtrl.nr: 9814 04 79 • Ritn.nr: 9240 utg. B • Rev. 1605



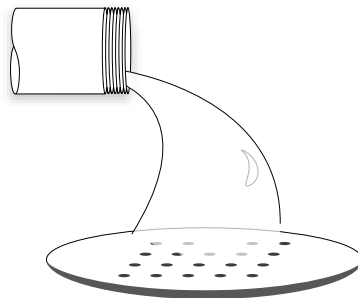
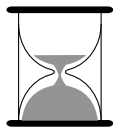
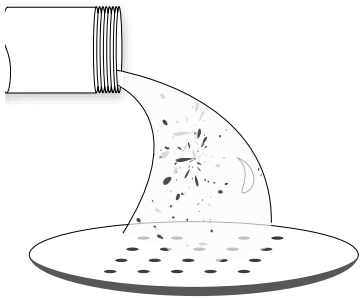
Series VZC151, 161, 152, 162, 253, 263
Series VZD151, 161, 152, 162, 253, 263

CE

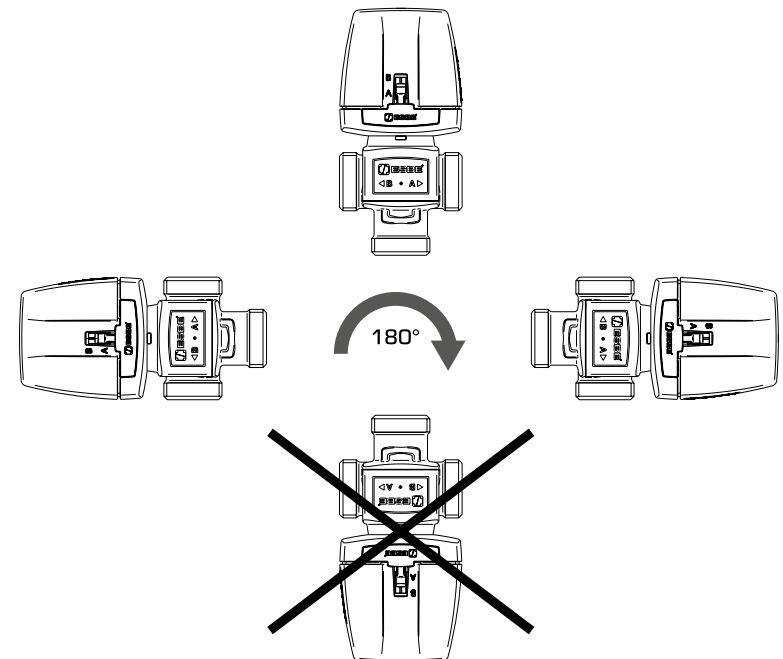
LVD 2014/35/EU
EMC 2014/30/EU
RoHS 2011/65/EU
PED 2014/68/EU, article 4.3



1

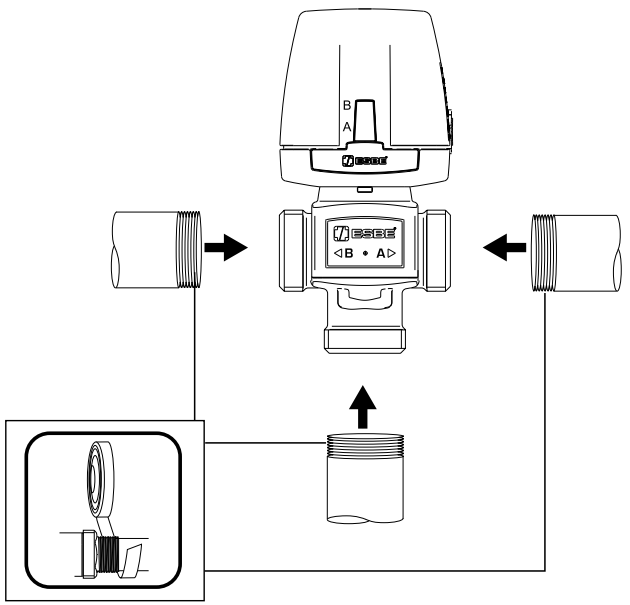


2



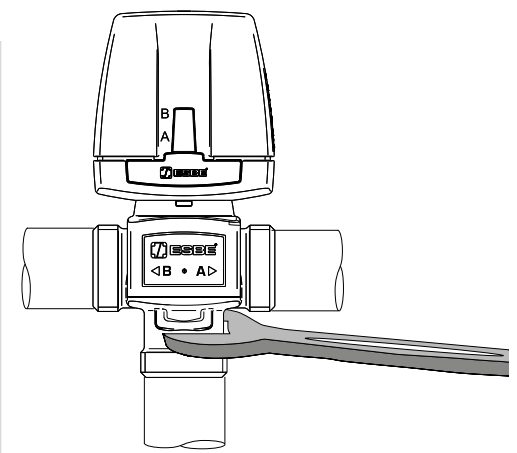
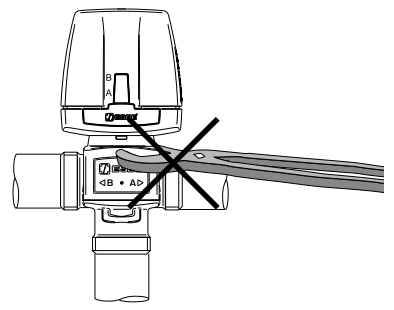
3

VZC151/VZC161, VZD151/VZD161

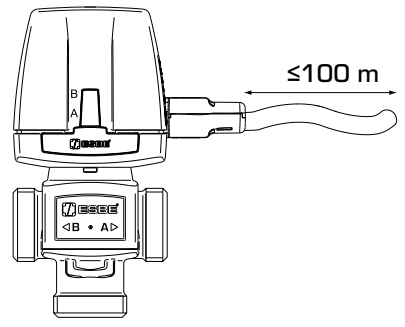
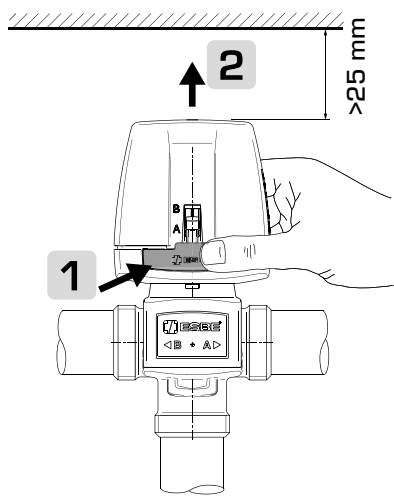
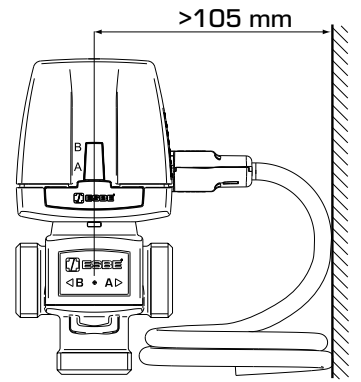


4

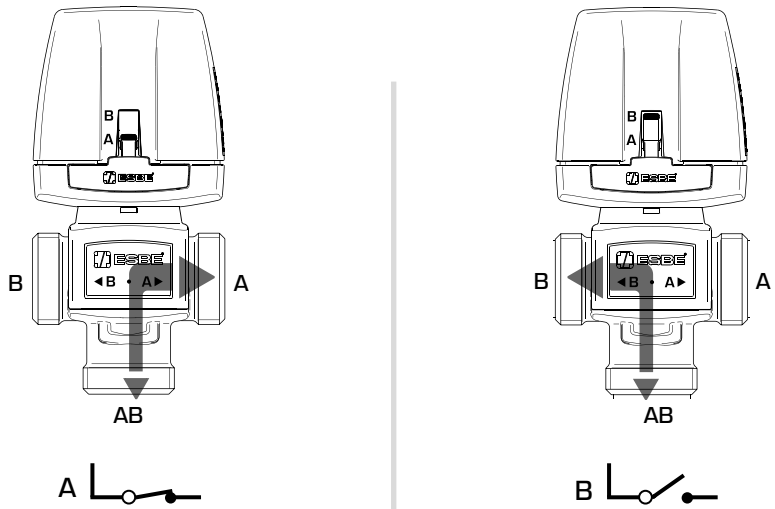
i



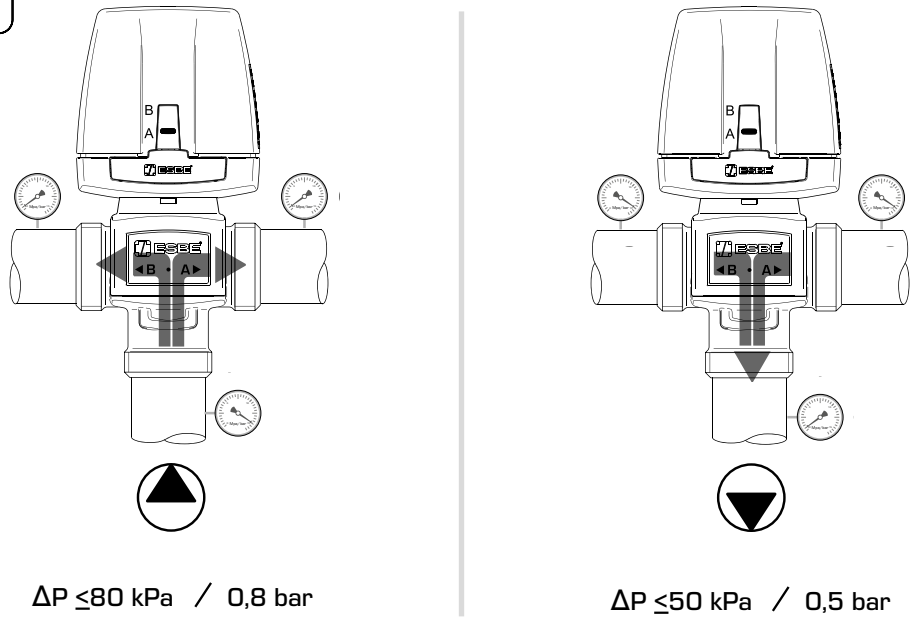
5



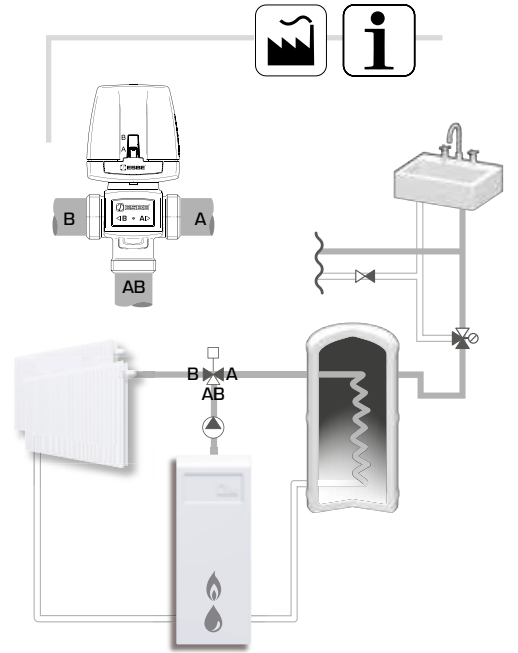
6



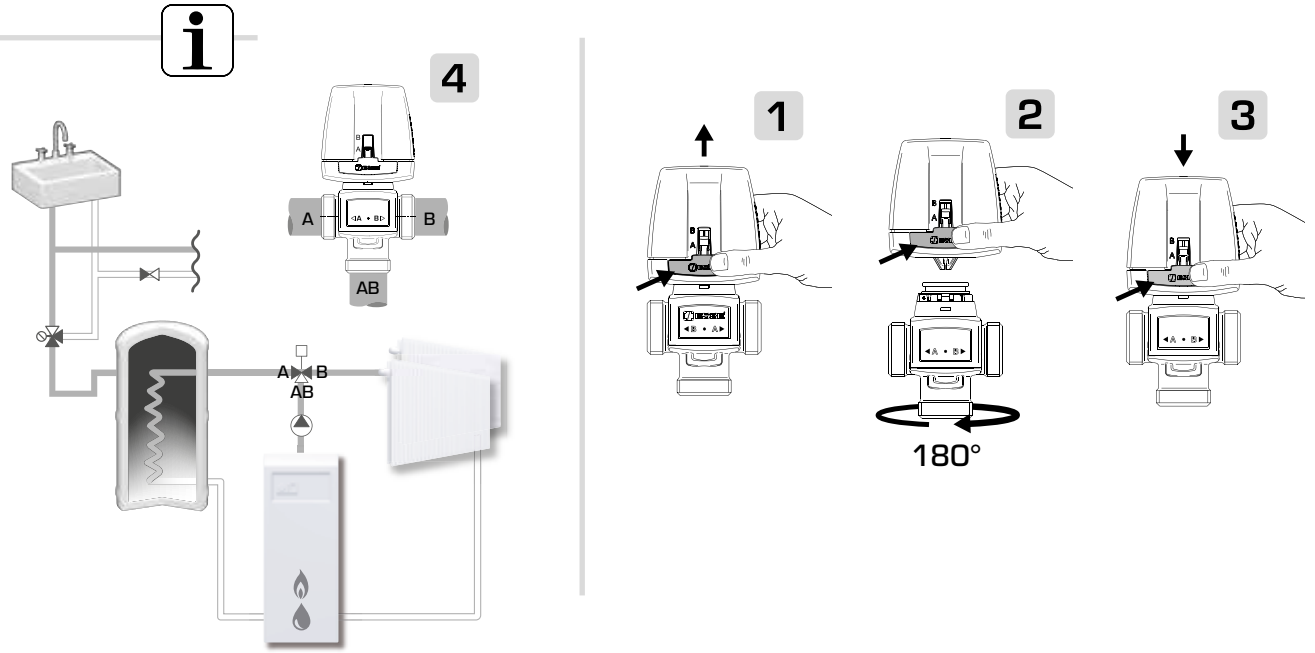
7

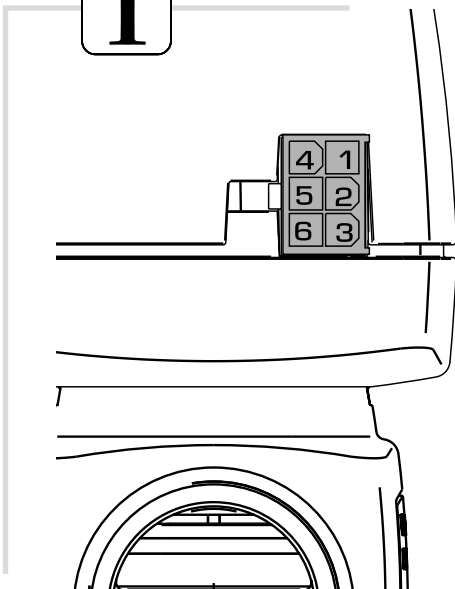
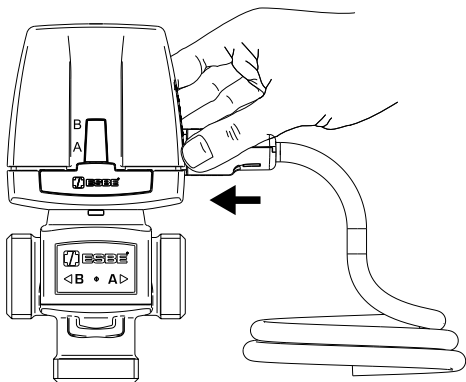


8

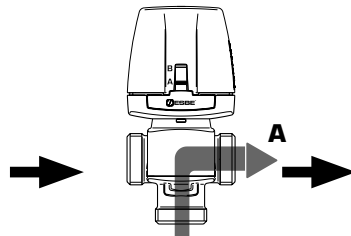
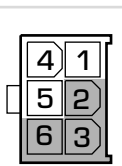
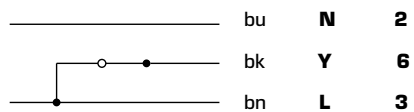
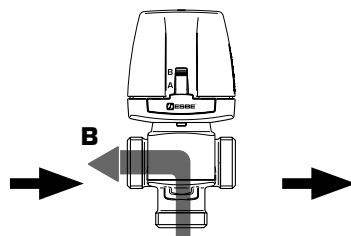
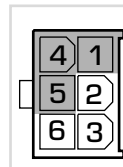
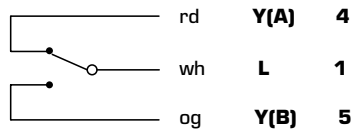


9



10**i****11**
VZC/VZD 151, 152, 253 — VZC/VZD 161, 162, 263

230 VAC, 50Hz


VZC/VZD 151, 152, 253
 $\frac{2[1]}{250}$ A ~
250 V

 $\frac{2[1]}{250}$ A ~
250 V
