

# ferroli

## DIVAtech D C24/C32



cod. 3541P530 — Rev. 00 — 06/2018

**CE**

**EN** INSTRUCTIONS FOR USE, INSTALLATION AND MAINTENANCE

**FR** INSTRUCTIONS D'UTILISATION, D'INSTALLATION ET D'ENTRETIEN

**RU** ТЕХНИЧЕСКИЙ ПАСПОРТ ИЗДЕЛИЯ

РУКОВОДСТВО ПО ЭКСПЛУАТАЦИИ, МОНТАЖУ И ТЕХОБСЛУЖИВАНИЮ

**EAC**

1. GENERAL WARNINGS

- Carefully read and follow the instructions contained in this instruction booklet.
- After boiler installation, inform the user regarding its operation and give him this manual, which is an integral and essential part of the product and must be kept with care for future reference.
- Installation and maintenance must be carried out by professionally qualified personnel, in compliance with the current regulations and according to the manufacturer's instructions. Do not carry out any operation on the sealed control parts.
- Incorrect installation or inadequate maintenance can result in damage or injury. The Manufacturer declines any liability for damage due to errors in installation and use, or failure to follow the instructions.
- Before carrying out any cleaning or maintenance operation, disconnect the unit from the electrical power supply using the switch and/or the special cut-off devices.
- In case of a fault and/or poor operation, deactivate the unit and do not try to repair it or directly intervene. Contact professionally qualified personnel. Any repair/replacement of the products must only be carried out by qualified personnel using original replacement parts. Failure to comply with the above could affect the safety of the unit.
- This unit must only be used for its intended purpose. Any other use is deemed improper and therefore hazardous.
- The packing materials are potentially hazardous and must not be left within the reach of children.
- The unit must not be used by people (including children) with limited physical, sensory or mental abilities or without experience and knowledge of it, unless instructed or supervised in its use by someone responsible for their safety.
- The unit and its accessories must be appropriately disposed of, in compliance with the current regulations.
- The images given in this manual are a simplified representation of the product. In this representation there may be slight and insignificant differences with respect to the product supplied.

**CE** THE CE MARKING CERTIFIES THAT THE PRODUCTS MEET THE ESSENTIAL REQUIREMENTS OF THE RELEVANT DIRECTIVES IN FORCE. THE DECLARATION OF CONFORMITY MAY BE REQUESTED FROM THE MANUFACTURER.

2. OPERATING INSTRUCTIONS

2.1 Introduction

Dear Customer,

DIVAtch D C is a high-efficiency for heating and hot water production running on natural gas or LPG, and equipped with a microprocessor control system.

2.2 Control panel

Panel

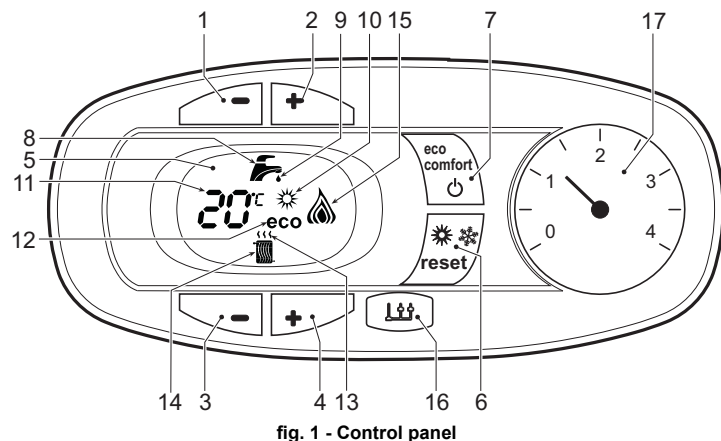


fig. 1 - Control panel

Key of panel fig. 1

- 1 DHW temperature setting decrease button
- 2 DHW temperature setting increase button
- 3 Heating system temperature setting decrease button
- 4 Heating system temperature setting increase button
- 5 Display
- 6 "Sliding Temperature" Menu - Summer/Winter mode selection - Reset button
- 7 Unit On/Off - Economy/Comfort mode selection button
- 8 DHW symbol
- 9 DHW mode
- 10 Summer mode
- 11 Multifunction
- 12 Eco (Economy) mode
- 13 Heating
- 14 Heating symbol
- 15 Burner lit and actual power level (flashing during combustion fault function)
- 16 Service Tool connection
- 17 Water gauge

Indication during operation

Heating

A heating demand (generated by the Room Thermostat or Remote Timer Control) is indicated by flashing of the hot air above the radiator on the display.

The display (detail 11 - fig. 1) shows the actual heating delivery temperature and, during heating standby time, the message "d2".

Domestic hot water (DHW)

A DHW demand (generated by drawing domestic hot water) is indicated by flashing of the hot water under the tap on the display.

The display (detail 11 - fig. 1) shows the actual DHW outlet temperature and, during DHW standby time, the message "d1".

Comfort

A Comfort demand (reinstatement of temperature inside the boiler) is indicated by flashing of the water under the tap on the display. The display (detail 11 - fig. 1) shows the actual temperature of the water in the boiler.

Fault

In case of a fault (see cap. 4.4) the display shows the fault code (detail 11 - fig. 1) and during safety pause times the messages "d3", "d4" and "d5".

2.3 Lighting and shutdown

Connection to the power supply

- During the first 5 seconds the display will also show the card software release.
- Open the gas cock ahead of the boiler.
- The boiler is now ready to function automatically whenever domestic hot water is drawn or in case of a heating demand (generated by Room Thermostat or Remote Temperature Control).

Turning the boiler off and on

Press the **on/off** button (detail 7 - fig. 1) for 5 seconds.

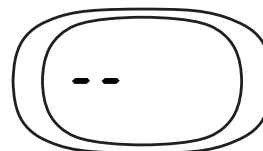


fig. 2 - Turning the boiler off

When the boiler is turned off, the circuit board is still powered. Domestic hot water and heating are disabled. The frost protection system remains activated. To relight the boiler, press the **on/off** button (detail 7 fig. 1) again for 5 seconds.

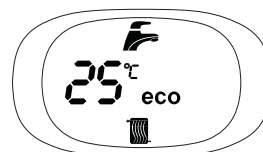


fig. 3

The boiler will be immediately ready to work whenever domestic hot water is drawn or in case of a heating demand (generated by the Room Thermostat or the Remote Timer control).



The frost protection system does not work when the power and/or gas to the unit are turned off. To avoid damage caused by freezing during long shutdowns in winter, it is advisable to drain all water from the boiler, the DHW circuit and the heating system water; or drain just the DHW circuit and add a suitable antifreeze to the heating system, as prescribed in sec. 3.3.

2.4 Adjustments

Summer/Winter Switchover

Press the **summer/winter** button (detail 6 - fig. 1) for 2 seconds.

The display activates the Summer symbol (detail 10 - fig. 1): the boiler will only deliver domestic hot water. The antifreeze system remains activated.

To deactivate the Summer mode, press the **summer/winter** button (detail 6 - fig. 1) again for 2 seconds.

Heating temperature adjustment

Use the heating buttons (details 3 and 4 - fig. 1) to adjust the temperature from a min. of 30°C to a max. of 80°C; in any case, it is advisable not to operate the boiler below 45°C.



fig. 4

## DHW temperature adjustment

Use the DHW buttons (details 1 and 2 - fig. 1) to adjust the temperature from a min. of 40°C to a max. of 55°C.

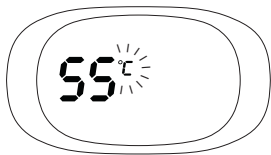


fig. 5

### Room temperature adjustment (with optional room thermostat)

Using the room thermostat, set the temperature required in the rooms. If the room thermostat is not installed, the boiler will keep the system at the set system delivery setpoint temperature.

### Room temperature adjustment (with optional remote timer control)

Using the remote timer control, set the required temperature in the rooms. The boiler will adjust the system water according to the required room temperature. For operation with remote timer control, please refer to the relevant instruction manual.

### ECO/COMFORT selection

The unit has a function that ensures a high domestic hot water delivery speed and maximum comfort for the user. When the device is activated (COMFORT mode), the water contained in the boiler is kept hot, thereby ensuring immediate availability of hot water on opening the tap, without waiting times.

The user can deactivate the device (ECO mode) by pressing the **eco/comfort** button (detail 7 - fig. 1). In ECO mode the display activates the ECO symbol (detail 12 - fig. 1). To activate the COMFORT mode, press the **eco/comfort** button (detail 7 - fig. 1) again.

### Sliding Temperature

When the optional external probe is installed the boiler adjustment system works with "Sliding Temperature". In this mode, the heating system temperature is regulated according to weather conditions, to ensure the high comfort and energy efficiency throughout the year. In particular, as the outside temperature increases the system delivery temperature decreases according to a specific "compensation curve".

With the Sliding Temperature adjustment, the temperature set with the heating buttons (detail 3 - fig. 1) becomes the maximum system delivery temperature. It is advisable to set a maximum value to allow system adjustment throughout its useful operating range.

The boiler must be adjusted at the time of installation by qualified personnel. However, the user can make any further adjustments necessary to optimise comfort levels.

#### Compensation curve and curve offset

Press the **reset button** (detail 6 - fig. 1) for 5 seconds to access the "Sliding temperature" menu; the display shows "CU" flashing.

Use the DHW buttons (detail 1 - fig. 1) to adjust the desired curve from 1 to 10 according to the characteristic (fig. 6). By setting the curve to 0, the sliding temperature adjustment is disabled.

Press the heating buttons (detail 3 - fig. 1) to access parallel curve offset; the display shows "OF" flashing. Use the DHW buttons (detail 1 - fig. 1) to adjust parallel curve offset according to the characteristic (fig. 7).

Press the **reset button** (detail 6 - fig. 1) again for 5 seconds to exit the "Sliding Temperature" menu.

If the room temperature is lower than the required value, it is advisable to set a higher order curve and vice versa. Proceed by increasing or decreasing in steps of one and check the result in the room.

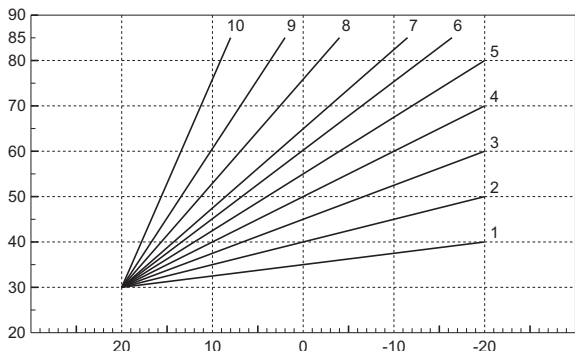


fig. 6 - Compensation curves

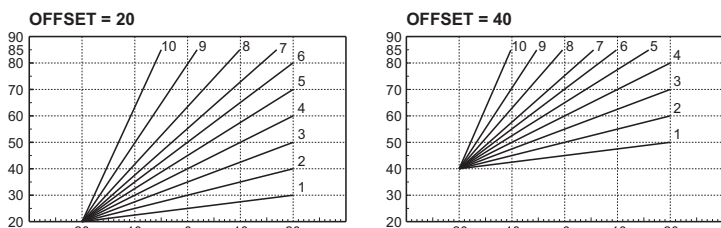


fig. 7 - Example of compensation parallel curve offset

## Adjustments from Remote Timer Control

If the Remote Timer Control (optional) is connected to the boiler, the above adjustments are managed according to that given in table 1.

Table. 1

Heating temperature setting	Adjustment can be made from the Remote Timer Control menu and the boiler control panel.
DHW temperature adjustment	Adjustment can be made from the Remote Timer Control menu and the boiler control panel.
Summer/Winter Switchover	Summer mode has priority over a possible Remote Timer Control heating demand.
Eco/Comfort selection	On disabling DHW from the Remote Timer Control menu, the boiler selects the Economy mode. In this condition, the <b>eco/comfort</b> button (detail 7 - fig. 1) on the boiler panel is disabled. On enabling DHW from the Remote Timer Control menu, the boiler selects the Comfort mode. In this condition it is possible select one of the two modes with the <b>eco/comfort</b> button (detail 7 - fig. 1) on the boiler panel.
Sliding Temperature	Both the Remote Timer Control and the boiler card manage Sliding Temperature adjustment: the boiler card Sliding Temperature has priority.

## System water pressure adjustment

The filling pressure read on the boiler water gauge (detail 2 - fig. 8) with system cold must be approx 1.0 bar. If the system pressure falls below minimum values, the boiler stops and fault **F37** is displayed. Pull out the filling knob (detail 1 - fig. 8) and turn it anticlockwise to return it to the initial value. Always close it afterwards.

Once the system pressure is restored, the boiler will activate the 300-second air venting cycle indicated on the display by **Fh**.

To prevent boiler shutdown, it is advisable to periodically check the pressure on the gauge with system cold. In case of a pressure below 0.8 bar, it is advisable to restore it.

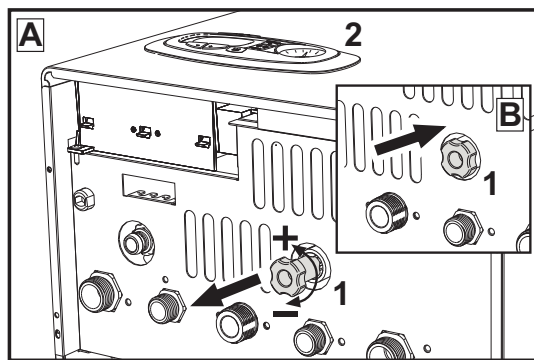


fig. 8- Filling knob

## System draining

The drain faucet ring nut is located under the safety valve inside the boiler.

To drain the system, turn the ring (ref. 1 - fig. 9) counter-clockwise to open the faucet. Do not use any tools; use hands only.

To drain only the water in the boiler, first close the shut-off valves between the system and boiler before turning the ring.

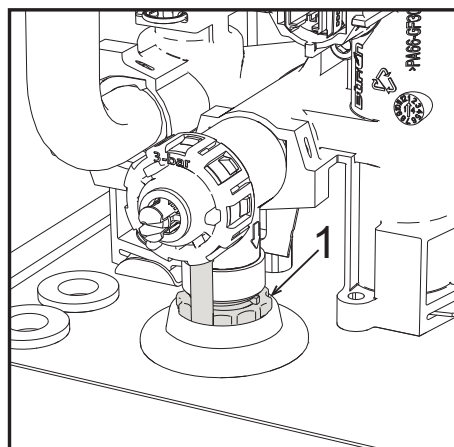


fig. 9- Safety valve with drain faucet

### 3. INSTALLATION

#### 3.1 General Instructions

BOILER INSTALLATION MUST ONLY BE PERFORMED BY QUALIFIED PERSONNEL, IN ACCORDANCE WITH ALL THE INSTRUCTIONS GIVEN IN THIS TECHNICAL MANUAL, THE PROVISIONS OF CURRENT LAW, THE PRESCRIPTIONS OF NATIONAL AND LOCAL STANDARDS AND THE RULES OF PROPER WORKMANSHIP.

#### 3.2 Place of installation

**!** This unit is an "open chamber" type and can only be installed and operated in permanently ventilated rooms. An insufficient flow of combustion air to the boiler will affect its normal operation and fume evacuation. Also, the fumes forming under these conditions are extremely harmful to health if dispersed in the domestic environment.

The unit is designed to operate in a partially protected place, with a minimum temperature of -5°C. If provided with the special antifreeze kit, it can be used with a minimum temperature down to -15°C. The boiler must be installed in a sheltered place, for instance under the slope of a roof, inside a balcony or in a protected recess.

The place of installation must be free of flammable materials, objects and dusts or corrosive gases.

The boiler is arranged for wall mounting and comes as standard with a hooking bracket. Wall fixing must ensure stable and effective support for the generator.

**!** If the unit is enclosed in a cabinet or mounted alongside, there must be sufficient space for removing the casing and for normal maintenance activities

#### 3.3 Plumbing connections

##### Important

**!** The safety valve outlet must be connected to a funnel or collection pipe to prevent water spurting onto the floor in case of overpressure in the heating circuit. Otherwise, if the discharge valve cuts in and floods the room, the boiler manufacturer cannot be held liable.

**!** Before making the connection, check that the unit is arranged for operation with the type of fuel available and carefully clean all the system pipes.

Carry out the relevant connections according to the diagram in fig. 2.3 and the symbols on the unit.

**Note:** The unit is equipped with an internal bypass in the heating circuit.

##### Water system characteristics

In the presence of water harder than 25° Fr (1°F = 10ppm CaCO<sub>3</sub>), use suitably treated water in order to avoid possible scaling in the boiler.

##### Antifreeze system, antifreeze fluids, additives and inhibitors

When necessary, antifreeze fluids, additives and inhibitors can be used only if the manufacturer of such fluids or additives guarantees that they are suitable and do not cause damage to the exchanger or other components and/or materials of the boiler and system. Do not use generic antifreeze fluids, additives or inhibitors that are not specific for use in heating systems and compatible with the materials of the boiler and system.

#### 3.4 Gas connection

The gas must be connected to the relevant connection (see fig. 2.3) in conformity with the current standards, using a rigid metal pipe or a continuous surface flexible s/steel tube and installing a gas cock between the system and boiler. Make sure all the gas connections are tight.

#### 3.5 Electrical connections

##### IMPORTANT

**!** BEFORE CARRYING OUT ANY OPERATION THAT REQUIRES REMOVING THE CASING, DISCONNECT THE BOILER FROM THE ELECTRIC MAINS WITH THE MAIN SWITCH.

**!** NEVER TOUCH THE ELECTRICAL COMPONENTS OR CONTACTS WITH THE MAIN SWITCH TURNED ON! DANGER OF ELECTRIC SHOCK WITH RISK OF INJURY OR DEATH!

**!** The unit must be connected to an efficient grounding system in accordance with applicable safety regulations. Have the efficiency and suitability of the grounding system checked by professionally qualified personnel; the Manufacturer declines any liability for damage caused by failure to earth the system.

The boiler is prewired and provided with a three-pole cable, without a plug, for connection to the electric line. The connections to the grid must be made with a permanent connection and equipped with a bipolar switch whose contacts have a minimum opening of at least 3 mm, interposing fuses of max. 3A between the boiler and the line. Make sure to respect the polarities (LINE: brown wire / NEUTRAL: blue wire / GROUND: yellow-green wire) in the connections to the electric line.

**!** The unit's supply cable **MUST NOT BE REPLACED BY THE USER**. If the cable gets damaged, turn the unit off and have the cable replaced only by professionally qualified personnel. In case of replacement, only use cable "HAR H05 VV-F" 3x0.75 mm<sup>2</sup> with max. external diameter of 8 mm.

##### Room thermostat (optional)

**!** IMPORTANT: THE ROOM THERMOSTAT MUST HAVE VOLTAGE-FREE CONTACTS. CONNECTING 230 V TO THE ROOM THERMOSTAT TERMINALS WILL PERMANENTLY DAMAGE THE ELECTRONIC BOARD.

When connecting time controls or a timer, do not take the power supply for these devices from their breaking contacts. Their power supply must be by means of direct connection from the mains or with batteries, depending on the kind of device.

##### Accessing the electrical terminal block

The electrical terminal block can be accessed after removing the casing. The layout of the terminals for the various connections is also given in the wiring diagram in fig. 23.

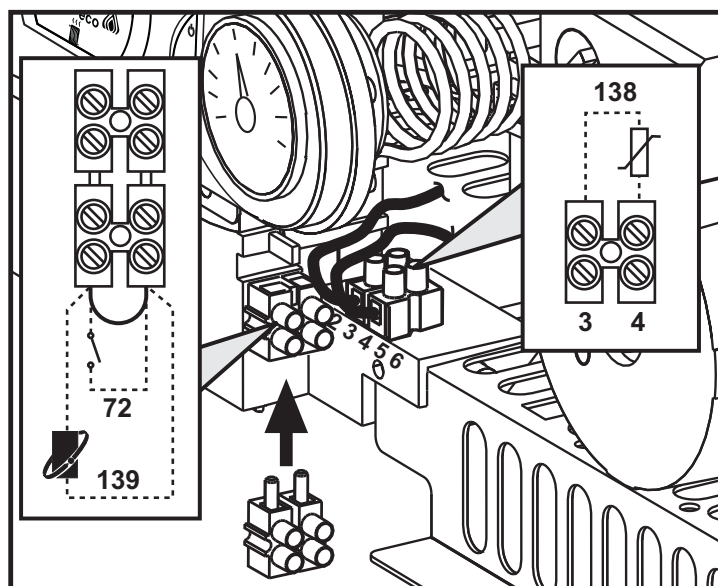


fig. 10 - Accessing the terminal block

#### 3.6 Air/fume ducts

The diameter of the flue connection pipe must not be less than that of the connection on the anti-backflow device. Starting from the anti-backflow device it must have a vertical section at least 50 cm long. Current standards must be complied with regarding sizing and installation of the flues and connection pipe.

**!** The boiler is also equipped with a safety device (fume thermostat) that stops operation of unit in case of inadequate draught or obstruction of the flue. This device must never be tampered with or deactivated.

### 4. SERVICE AND MAINTENANCE

##### Important

**!** All adjustment, conversion, commissioning and maintenance operations described below must only be carried out by Qualified Personnel (meeting the professional technical requirements of current regulations) such as the personnel of the Local After-Sales Technical Service.

**FERROLI declines any liability for damage and/or injury caused by unqualified and unauthorized persons tampering with the unit.**



## 4.1 Adjustments

### Gas conversion

**⚠ ALL COMPONENTS DAMAGED DURING CONVERSION OPERATIONS MUST BE REPLACED.**

The unit can operate on natural gas or LPG and is factory-set for use with one of these two gases, as clearly shown on the packing and on the data plate. Whenever a gas different from that for which the unit is arranged has to be used, the special conversion kit will be required, proceeding as follows:

1. Disconnect the boiler power supply and close the gas cock.
2. Replace the nozzles at the main burner, fitting the nozzles specified in the technical data table in cap. 5, according to the type of gas used
3. Switch the boiler power on and open the gas cock.
4. Modify the parameter for the type of gas:
  - put the boiler in standby mode
  - press the DHW buttons details 1 and 2 - fig. 1 for 10 seconds: the display shows "b01" flashing.
  - press the DHW buttons details 1 and 2 - fig. 1 to set the parameter **00** (for natural gas operation) or **01** (for LPG operation).
  - press the DHW buttons details 1 and 2 - fig. 1 for 10 seconds.
  - the boiler will return to standby mode
5. Adjust the minimum and maximum pressures at the burner (ref. relevant paragraph), setting the values given in the technical data table for the type of gas used
6. Apply the sticker contained in the conversion kit, near the data plate as proof of the conversion.

### Activation of Auto-setting function for gas valve calibration

**THIS PROCEDURE MUST ONLY BE CARRIED OUT IN THE FOLLOWING CASES: GAS VALVE REPLACEMENT, CARD REPLACEMENT, CONVERSION FOR GAS CHANGE.**

The B&P Gas Valve (with integrated modulating operator) does not provide for mechanical calibration: the minimum and maximum power adjustments are therefore electronically done via two parameters:

Contents	Description	Natural Gas	Propane Gas
q01	Absolute minimum current offset	0+100	0+150
q02	Absolute maximum current offset	0+100	0-150

### Gas valve pre-calibration

1. Connect a pressure gauge to monitor the gas valve outlet pressure.
2. Enable the **Auto-setting** function (Parameter b12=1).
3. Activate the calibration procedure by pressing the heating + button and Eco/Comfort button together for 5 seconds. The message "Au-to" immediately appears (in two successive flashes) and the burner is lit. Within 8 seconds (natural gas and LPG) the boiler finds the ignition point. The ignition point, absolute minimum current Offset (Parameter q01) and absolute maximum current Offset (Parameter q02) values are stored by the card.

### Gas valve calibration

1. The display will show "q02" flashing; the modulation current is forced to the pre-calibration value of the absolute maximum current Offset parameter (Parameter q02).
2. Press the DHW buttons to adjust the parameter "q02" until the maximum nominal pressure minus 1mbar is reached on the pressure gauge. Wait 10 seconds for the pressure to stabilise.
3. Press the DHW "+" button to set the parameter "q02" until the maximum nominal pressure is reached on the pressure gauge. Wait 10 seconds for the pressure to stabilise.
4. If the pressure read on the pressure gauge is different from the maximum nominal pressure, proceed in increments of 1 or 2 units of the parameter "q02" by pressing the DHW "+" button: after each change, wait 10 seconds for the pressure to stabilise.
5. When the pressure read on the pressure gauge is equal to the maximum nominal pressure (the newly calibrated value of the parameter "q02" is automatically saved), press the heating "-" button: the display will show "q01" flashing; the modulation current is forced to the pre-calibration value of the absolute minimum current Offset parameter (Parameter q01).
6. Press the DHW buttons to adjust the parameter "q01" until the minimum nominal pressure plus 0.5mbar is reached on the pressure gauge. Wait 10 seconds for the pressure to stabilise.
7. Press the DHW "-" button to adjust the parameter "q01" until the minimum nominal pressure is reached on the pressure gauge. Wait 10 seconds for the pressure to stabilise.
8. If the pressure read on the pressure gauge is different from the minimum nominal pressure, proceed in decrements of 1 or 2 units of the parameter "q01" by pressing the DHW "-" button: after each change, wait 10 seconds for the pressure to stabilise.
9. When the pressure read on the pressure gauge is equal to the minimum nominal pressure (the newly calibrated value of the parameter "q01" is automatically saved.), recheck both adjustments by pressing the heating buttons and correct them if necessary by repeating the procedure described above.
10. The calibration procedure ends automatically after 15 minutes or by pressing the heating "+" and Eco/Comfort buttons together for 5 seconds.

### Checking of gas pressure values and adjustment with limited range

- Check that the supply pressure complies with that indicated in the technical data table.
- Connect a suitable pressure gauge to the pressure sampling point "B" located downstream from the gas valve.
- Activate the **TEST** mode and follow the instructions for checking the gas pressures at maximum power and minimum power (see next par.).

If the maximum and/or minimum nominal pressures read on the pressure gauge are different from those indicated in the technical data table, proceed with the next sequence.

- Press the Eco/Comfort button for 2 seconds to go to the gas valve Calibration with limited range mode.
- The card goes to the setting "q02"; displaying the currently saved value by pressing the DHW buttons.
- If the **maximum pressure** read on the pressure gauge is different from the nominal one, proceed in increments/decrements of 1 or 2 units of the parameter "q02" by pressing the DHW buttons: after each change, the value is stored; wait 10 seconds for the pressure to stabilise.
- Press the heating "-" button (ref. 3 - fig. 1).
- The card goes to the setting "q01"; displaying the currently saved value by pressing the DHW buttons.
- If the **minimum pressure** read on the pressure gauge is different from the nominal one, proceed in increments/decrements of 1 or 2 units of the parameter "q01" by pressing the DHW buttons: after each change, the value is stored; wait 10 seconds for the pressure to stabilise.
- Recheck both settings by pressing the heating buttons and if necessary correct them by repeating the procedure described above.
- Pressing the Eco/Comfort button for 2 seconds returns to TEST mode.
- Deactivate **TEST** mode (see next par.).
- Disconnect the pressure gauge.

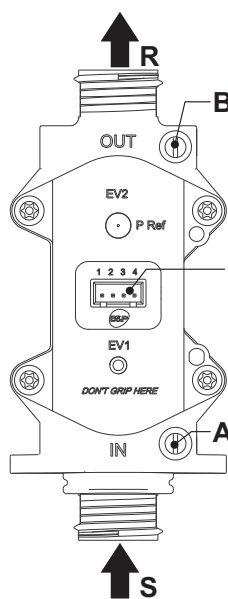


fig. 11 - Gas valve

- A - Upstream pressure point
- B - Downstream pressure point
- I - Gas valve electrical connection
- R - Gas outlet
- S - Gas inlet

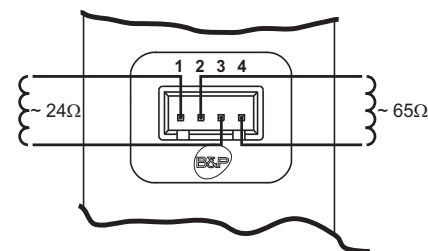


fig. 12 - Gas valve connection

TYPE SGV100  
Pi max 65 mbar  
24 Vdc - class B+A

### TEST mode activation

Press the heating buttons (details 3 and 4 - fig. 1) together for 5 seconds to activate the **TEST** mode. The boiler lights at the maximum heating power set as described in the following section.

The heating and DHW symbols (fig. 13) flash on the display; the heating power will appear alongside.

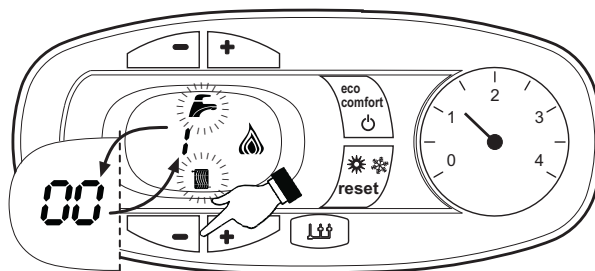


fig. 13 - TEST mode (heating power = 100%)

Press the heating buttons (details 3 and 4 - fig. 1) to increase or decrease the power (Min.=0%, Max.=100%).

By pressing the DHW "-" button (detail 1 - fig. 1), boiler output is immediately adjusted to min. (0%). By pressing the DHW "+" button (detail 2 - fig. 1), boiler output is immediately adjusted to max. (100%).

If the TEST mode is activated and enough hot water is drawn to activate the DHW mode, the boiler remains in TEST mode but the 3-way valve goes to DHW.

To deactivate the TEST mode, press the heating buttons (details 3 and 4 - fig. 1) together for 5 seconds.

The TEST mode is automatically deactivated in any case after 15 minutes or on stopping of hot water drawing (if enough hot water has been drawn to activate the DHW mode).

### Heating power adjustment

To adjust the heating power, switch the boiler to TEST mode (see sec. 4.1). Press the heating buttons detail 3 - fig. 1 to increase or decrease the power (min. = 00 - max. = 100). Press the **reset** button within 5 seconds and the max. power will remain that just set. Exit TEST mode (see sec. 4.1).

**Configuration Menu**

The configuration Menu is accessed by pressing the DHW buttons together for 10 seconds. **12 parameters**, indicated by the letter "b" and not modifiable from Remote Timer Control, are available.

Press the Heating buttons to scroll the list of parameters in increasing or decreasing order. Press the DHW buttons to view or modify the value of a parameter: the change will be automatically saved.

Contents	Description	Range	Parameter			
b01	Gas type selection	0=Natural Gas	0			
		1=LPG				
b02	Boiler type selection	1=Bithermal instantaneous	2			
		2=Monothermal instantaneous				
		3=Heating only (3-way valve)				
		4=Heating only (circulating pump)				
b03	Combustion chamber type selection	0=Sealed Chamber combustion control (without fume pressure switch)	1			
		1=Open Chamber (with fume thermostat)				
		2=Sealed Chamber (with fume pressure switch)				
		3=Sealed Chamber Combustion control (with fume thermostat on recuperator)				
		4=LOW NOx Sealed Chamber Combustion control (without fume pressure switch)				
		5=LOW NOx Open Chamber (with fume thermostat)				
b04	Primary Exchanger type selection	0 + 13	4 (for model C24) 5 (for model C32)			
		Variable output relay operation selection (b02=1)	0 = External gas valve	NOT AVAILABLE FOR THIS MODEL		
1 = System filling solenoid valve						
2 = Solar 3-way valve						
3 = Supply indicator with fault present						
4 = Supply indicator without fault present						
5 = External circulating pump (during demand and post circulation)						
b05	No effect on adjustment (b02=2)	--	0			
		No effect on adjustment (b02=3)		--		
				No effect on adjustment (b02=4)	--	
		b06			Mains Voltage Frequency	0=50Hz
1=60Hz						
b07	Comfort burner on time (b02=1)	0-20 seconds	5			
		No effect on adjustment (b02=2)		--		
		No effect on adjustment (b02=3)		--		
		No effect on adjustment (b02=4)		--		
				--		
b08	Gas valve driver	0 = Standard, 1	0			
		b09		DHW demand type selection	0 = Flow switch	1
					1 = Flowmeter (190 imp/l)	
					2 = Flowmeter (450 imp/l)	
b10	Flowmeter timing (b02=1)	0 = Deactivated	0			
		1 + 10=seconds				
		Flowmeter timing (b02=2)		0=Deactivated		
				1-10=seconds		
				No effect on adjustment (b02=3)	--	
b11	DHW mode activation flow rate (b02=1)	10 + 100 L/min/10	15			
		DHW mode activation flow rate (b02=2)		10 + 100 L/min/10		
				No effect on adjustment (b02=3)	--	
				No effect on adjustment (b02=4)	--	
b12	Enable Auto-Settings procedure	0 = Disabled	0			
		1 = Enabled				

**Notes:**

- Parameters with more than one description vary their function and/or range in relation to the setting of the parameter given in brackets.
- Parameters with more than one description are reset to the default value if the parameter given in brackets is modified.

To exit the configuration Menu press the DHW buttons together for 10 seconds, or exiting occurs automatically after 2 minutes.

**Service menu**

The card Service Menu is accessed by pressing the Reset button for 20 seconds. 4 sub-menus are available: press the Heating buttons to select, in increasing or decreasing order, "tS", "In", "Hi" or "rE". "tS" means Transparent Parameters Menu, "In" means Information Menu, "Hi" means History Menu: after selecting the submenu, press the Reset button again to access it; "rE" means History Menu Reset: see description.

**"tS" - Transparent Parameters Menu**

21 parameters indicated by the letter "P" are available, which are also modifiable from Remote Timer Control.

Press the Heating buttons to scroll the list of parameters in increasing or decreasing order. Press the DHW buttons to view or modify the value of a parameter: the change will be automatically saved.

Contents	Description	Range	DIVAtch D C	
P01	Ignition ramp Offset	0-40	20	
P02	Heating ramp	1-20°C/minute	5	
P03	Heating standby time	0-10 minutes	2	
P04	Heating Post-Circulation	0-20 minutes	6	
P05	Heating user max. setpoint	31-85°C	80	
P06	Max. output in heating	0-100%	100	
P07	Burner shutdown in DHW (b02=1)	0=Fixed	0	
		1=Linked to set point		
		2=Solar		
		3 = DO NOT USE		
P07	Burner shutdown in DHW (b02=2)	0=Fixed	0	
		1=Linked to set point		
		2=Solar		
		3 = DO NOT USE		
P07	Hot water tank hysteresis (b02=3)	0 (do not use) 1-2-3-4°C		
		Hot water tank hysteresis (b02=4)		0 (do not use) 1-2-3-4°C
P08	DHW standby time (b02=1)	0-60 seconds	30	
		DHW standby time (b02=2)		0-60 seconds
				DHW standby time (b02=3)
		DHW standby time (b02=4)		
P09	DHW user max. setpoint (b02=1)		50-65°C	50
		DHW user max. setpoint (b02=2)	50-65°C	
			DHW user max. setpoint (b02=3)	
		DHW user max. setpoint (b02=4)		
P10	Anti-inertia function temperature (b02=1)		5-85°C	0
		No effect on adjustment (b02=2)	--	
			Delivery temperature in DHW (b02=3)	
		Delivery temperature in DHW (b02=4)		
P11	Anti-inertia function Post-Circulation (b02=1)		0-10 Seconds	30
		DHW Post-Circulation (b02=2)	0-60 Seconds	
			DHW Post-Circulation (b02=3)	
		DHW Post-Circulation (b02=4)		
P12	Max. output in DHW		0-100%	100
P13	Absolute min. power	0-100%	0	
P14	NOT AVAILABLE FOR THIS MODEL			
P15	CO2 limit Offset (b03=0)	0 (Minimum)	20	
		30 (Maximum)		
		No effect on adjustment (b03=1)		--
		No effect on adjustment (b03=2)		--
		CO2 limit Offset (b03=3)		0 (Minimum) 30 (Maximum)
P15	CO2 limit Offset (b03=4)	0 (Minimum)	20	
		30 (Maximum)		
		No effect on adjustment (b03=5)		--
P16	Exchanger protection activation	0=No F43 1-15=1-15°C/second	10	
P17	Modulating pump max. speed - absolute	Operating at 100%. Adjustable with optional cable.	100	
P18	Modulating pump max. speed - post circulation	0-100% not operating. Always at 100% in this model	60	
P19	Solar deactivation temperature (b02=1)	0+20°C	10	
		Solar deactivation temperature (b02=2)		0+20°C
				No effect on adjustment (b02=3)
		No effect on adjustment (b02=4)		

Contents	Description	Range	DIVAtech D C
P20	Solar ignition temperature (b02=1)	0+20°C	10
	Solar ignition temperature (b02=2)	0+20°C	
	No effect on adjustment (b02=3)	--	
	No effect on adjustment (b02=4)	--	
P21	Solar standby time (b02=1)	0-20 seconds	10
	Solar standby time (b02=2)	0-20 seconds	
	No effect on adjustment (b02=3)	--	
	No effect on adjustment (b02=4)	--	

**Notes:**

- Parameters with more than one description vary their function and/or range in relation to the setting of the parameter given in brackets.
- Parameters with more than one description are reset to the default value if the parameter given in brackets is modified.
- The Maximum Heating Power parameter can also be modified in Test Mode.

Press the Reset button to return to the Service Menu. Press the Reset button for 20 seconds to exit the card Service Menu, or exiting occurs automatically after 15 minutes.

**"In" - Information Menu**

PAR\_INFO pieces of information are available.

Press the Heating buttons to scroll the list of information in increasing or decreasing order. Press the DHW buttons to display the value.

Con-tents	Description	Range
t01	NTC Heating sensor (°C)	between 05 and 125°C
t02	NTC Safety sensor (°C)	between 05 and 125°C
t03	NTC DHW sensor (°C)	between 05 and 125°C
t04	NTC External sensor (°C)	between -30 and 70°C (negative values flash) Without NTC = --
L05	Actual burner power (%)	00%=Min., 100%=Max.
F06	Actual Flame resistance (kOhm)	00-99 kOhm (-- = burner off)
St07	NOT AVAILABLE FOR THIS MODEL	
F08	Actual DHW drawing (L min/10)	L min/10 over 99 flashing 3 figures
PP09	Actual modulating pump speed (%)	00-100% not working in this model

**Notes:**

- In case of damaged sensor, the card displays hyphens.

Press the Reset button to return to the Service Menu. Press the Reset button for 20 seconds to exit the card Service Menu or exiting occurs automatically after 15 minutes.

**"Hi" - History Menu**

The card can store the last 11 faults: the History datum item H1: represents the most recent fault that occurred; the History datum item H10: represents the least recent fault that occurred.

The codes of the faults saved are also displayed in the corresponding menu of the Remote Timer Control.

Press the Heating buttons to scroll the list of faults in increasing or decreasing order. Press the DHW buttons to display the value.

Press the Reset button to return to the Service Menu. Press the Reset button for 20 seconds to exit the card Service Menu, or exiting occurs automatically after 15 minutes.

**"rE" - History Reset**

Press the Eco/Comfort button for 3 seconds to delete all the faults stored in the History Menu: the card will automatically exit the Service Menu, in order to confirm the operation.

Press the Reset button for 20 seconds to exit the card Service Menu, or exiting occurs automatically after 15 minutes.

**4.2 Commissioning**

**Before lighting the boiler**

- Check the seal of the gas system.
- Check correct prefilling of the expansion tank.
- Fill the water system and make sure all air contained in the boiler and the system has been vented.
- Make sure there are no water leaks in the system, DHW circuits, connections or boiler.
- Check correct connection of the electrical system and efficiency of the earthing system.
- Make sure the gas pressure for heating is that required.
- Make sure there are no flammable liquids or materials in the immediate vicinity of the boiler



**IF THE ABOVE INSTRUCTIONS ARE NOT OBSERVED THERE MAY BE RISK OF SUFFOCATION OR POISONING DUE TO GAS OR FUMES ESCAPING; DANGER OF FIRE OR EXPLOSION. ALSO, THERE MAY BE A RISK OF ELECTRIC SHOCK OR FLOODING THE ROOM.**

**Checks during operation**

- Switch the unit on.
- Check the tightness of the fuel circuit and water systems.
- Check the efficiency of the flue and air/fume ducts while the boiler is working.
- Make sure the water is circulating properly between the boiler and the systems.
- Make sure the gas valve modulates correctly in the heating and domestic hot water production stages.
- Check correct boiler lighting by performing various tests, turning it on and off with the room thermostat or remote control.
- Make sure the fuel consumption indicated on the meter matches that given in the technical data table in cap. 5.
- Make sure that with no demand for heating, the burner lights correctly on opening a hot water tap. Check that in heating mode, on opening a hot water tap, the heating circulating pump stops and there is regular production of hot water.
- Make sure the parameters are programmed correctly and carry out any required customisation (compensation curve, power, temperatures, etc.).

**4.3 Maintenance**

**IMPORTANT**



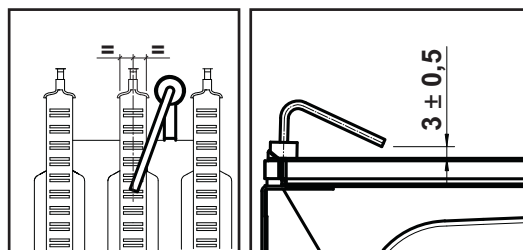
**ALL MAINTENANCE WORK AND REPLACEMENTS MUST BE CARRIED OUT BY SKILLED QUALIFIED PERSONNEL.**

**Before carrying out any operation inside the boiler, disconnect the power and close the gas cock upstream. Otherwise there may be a danger of explosion, electric shock, suffocation or poisoning.**

**Periodical inspection**

To ensure proper operation of the unit over time, have qualified personnel carry out a yearly inspection, providing for the following checks:

- The control and safety devices (gas valve, flow switch, thermostats, etc.) must function correctly.
- The fume exhaust circuit must be perfectly efficient. (Sealed chamber boiler: fan, pressure switch, etc. - The sealed chamber must be tight: seals, cable glands, etc.) (Open chamber boiler: anti-backflow device, fume thermostat, etc.)
- The air/fume terminal and ducts must be free of obstructions and leaks
- The burner and exchanger must be clean and free of deposits. Do not use chemical products or wire brushes to clean.
- The electrode must be properly positioned and free of deposits.



**fig. 14 - Electrode positioning**

- The gas and water systems must be tight.
- The pressure of the water in the system when cold must be approx. 1 bar; otherwise, bring it to that value.
- The circulating pump must not be blocked.
- The expansion tank must be filled.
- The gas flow and pressure must match that given in the respective tables.

4.4 Troubleshooting

Diagnostics

The boiler has an advanced self-diagnosis system. In case of a boiler fault, the display will flash together with the fault symbol (detail 11 - fig. 1) indicating the fault code.

There are faults that cause permanent shutdowns (marked with the letter "A"): to restore operation, press the RESET button (detail 6 - fig. 1) for 1 second or RESET on the optional remote timer control if installed. At this point the display will show "d4" for about 30 seconds or "d5" for about 5 minutes which indicates the waiting time after which the boiler will resume normal operation. If the boiler fails to restart, it is necessary to eliminate the fault.

Other faults cause temporary shutdowns (marked with the letter "F") which are automatically reset as soon as the value returns within the boiler's normal working range.

List of faults

Table. 2

Fault code	Fault	Possible cause	Cure
A01	No burner ignition	No gas	Check the regular gas flow to the boiler and that the air has been eliminated from the pipes
		Ignition/detection electrode fault	Check the wiring of the electrode and that it is correctly positioned and free of any deposits
		Faulty gas valve	Check the gas valve and replace it if necessary
		Gas valve wiring disconnected	Check the wiring
		Ignition power too low	Adjust the ignition power
A02	Flame present signal with burner off	Electrode fault	Check the ionisation electrode wiring
		Card fault	Check the card
A03	Overtemperature protection activation	Heating sensor damaged	Check the correct positioning and operation of the heating sensor
		No water circulation in the system	Check the circulating pump
		Air in the system	Vent the system
F04	Fume thermostat activated (after activation of the fume thermostat, boiler operation is prevented for 20 minutes)	Fume thermostat contact open	Check the thermostat
		Wiring disconnected	Check the wiring
		Flue obstructed or not correctly sized	Check the flue
F05	Card parameter fault	Wrong card parameter setting	Check the card parameter and modify it if necessary
A06	No flame after the ignition phase	Low pressure in the gas system	Check the gas pressure
		Burner minimum pressure setting	Check the pressures
F07	Card parameter fault	Wrong card parameter setting	Check the card parameter and modify it if necessary
A09	Gas valve fault	Wiring disconnected	Check the wiring
		Faulty gas valve	Check the gas valve and replace it if necessary
F10	Delivery sensor 1 fault	Sensor damaged	Check the wiring or replace the sensor
		Wiring shorted	
		Wiring disconnected	
F11	DHW sensor fault	Sensor damaged	Check the wiring or replace the sensor
		Wiring shorted	
		Wiring disconnected	
F14	Delivery sensor 2 fault	Sensor damaged	Check the wiring or replace the sensor
		Wiring shorted	
		Wiring disconnected	
A16	Gas valve fault	Wiring disconnected	Check the wiring
		Faulty gas valve	Check the gas valve and replace it if necessary
F20	Card parameter fault	Wrong card parameter setting	Check the card parameter and modify it if necessary
A21	Card parameter fault	Wrong card parameter setting	Check the card parameter and modify it if necessary
A23	Card parameter fault	Wrong card parameter setting	Check the card parameter and modify it if necessary
A24	Card parameter fault	Wrong card parameter setting	Check the card parameter and modify it if necessary
F34	Supply voltage under 170V.	Electric mains trouble	Check the electrical system
F35	Faulty mains frequency	Electric mains trouble	Check the electrical system

Fault code	Fault	Possible cause	Cure
F37	Incorrect system water pressure	Pressure too low	Fill the system
		Water pressure switch damaged or not connected	Check the sensor
F39	External probe fault	Probe damaged or wiring shorted	Check the wiring or replace the sensor
		Probe disconnected after activating the sliding temperature	Reconnect the external sensor or disable the sliding temperature
A41	Sensor positioning	Delivery sensor detached from the pipe	Check the correct positioning and operation of the sensor
F42	Heating sensor fault	Sensor damaged	Replace the sensor
F43	Exchanger protection trips.	No system H <sub>2</sub> O circulation	Check the circulating pump
		Air in the system	Vent the system
F50	Gas valve fault	Modulating Operator wiring disconnected	Check the wiring
		Faulty gas valve	Check the gas valve and replace it if necessary

5. TECHNICAL DATA AND CHARACTERISTICS

Table. 3- Legend, fig. 20, fig. 21 and fig. 22

- 8 DHW outlet - Ø 1/2"
- 9 DHW inlet - Ø 1/2"
- 10 System delivery - Ø 3/4"
- 11 System return - Ø 3/4"
- 12 Safety valve
- 24 Burner
- 27 Copper exchanger for heating and DHW
- 32 Heating circulating pump
- 36 Automatic air vent
- 37 Cold water inlet filter
- 42 DHW temperature sensor
- 44 Gas valve
- 56 Expansion vessel
- 74 System filling faucet
- 78 Anti-backflow device
- 81 Ignition and detection electrode
- 95 Diverter valve
- 114 Water pressure switch
- 126 Fume thermostat
- 136 Flowmeter
- 137 Pressure sensor
- 194 DHW exchanger
- 241 Automatic bypass
- 278 Double sensor (Safety + heating)



## 5.1 Dimensions and connections

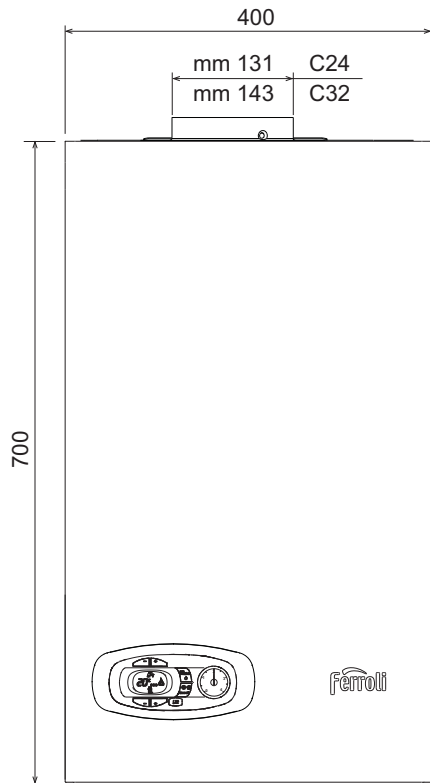


fig. 15- Front view

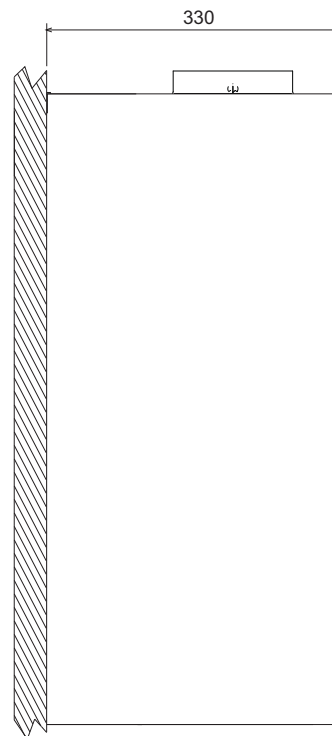


fig. 16- Side view

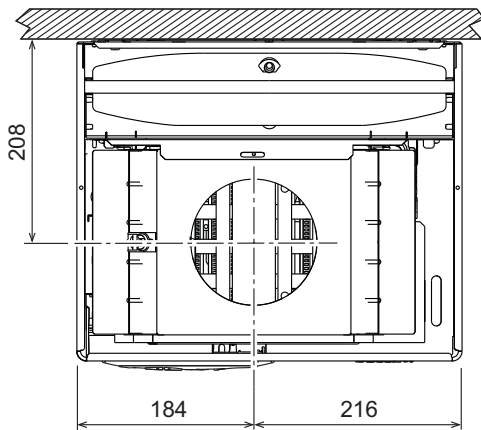


fig. 17- Top view - DIVAtech D C24

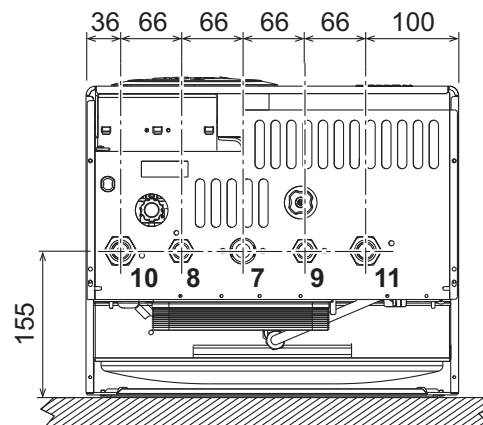


fig. 18- Bottom view - DIVAtech D C24 and C32

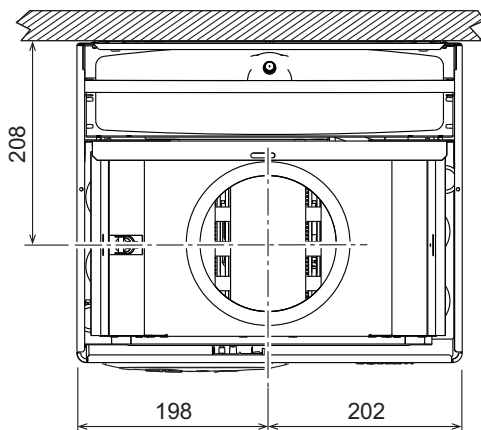


fig. 19- Top view - DIVAtech D C32

- 7 Gas inlet - Ø 3/4"
- 8 DHW outlet - Ø 1/2"
- 9 Cold water inlet - Ø 1/2"
- 10 System delivery - Ø 3/4"
- 11 System return - Ø 3/4"

5.2 General view and main components

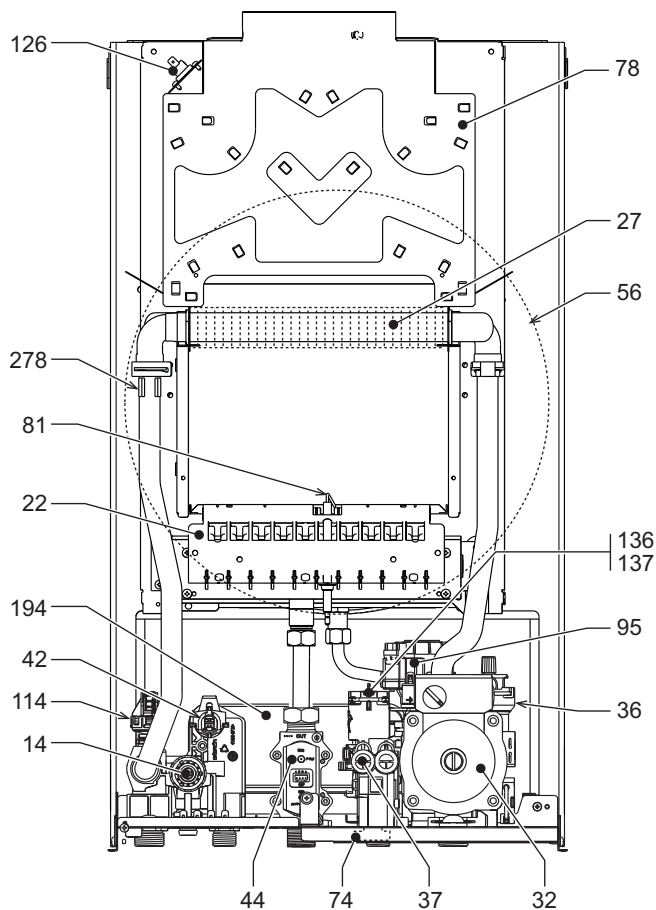


fig. 20 - General view - DIVAtech D C24

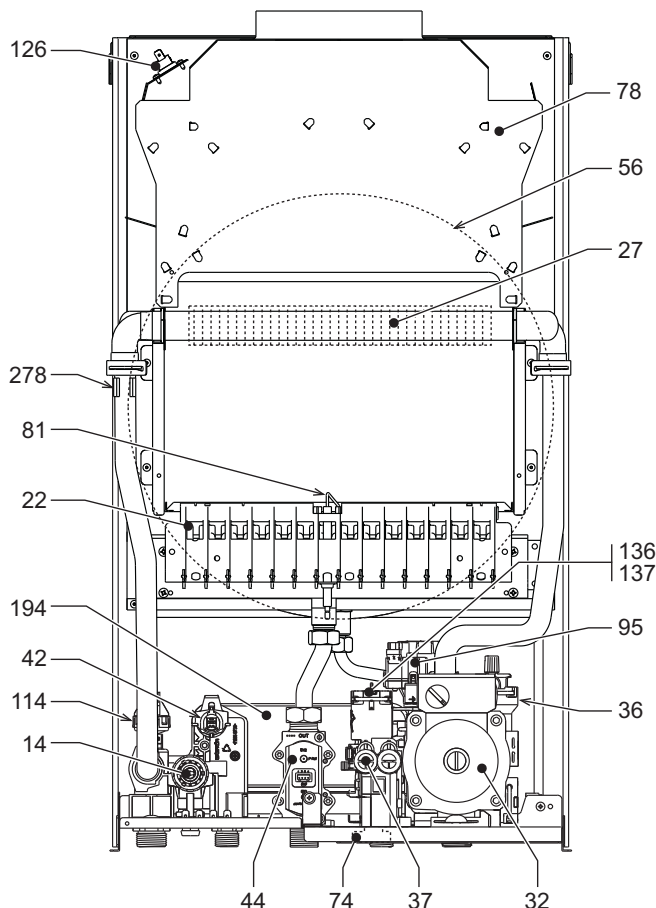


fig. 21 - General view - DIVAtech D C32

5.3 Hydraulic circuit

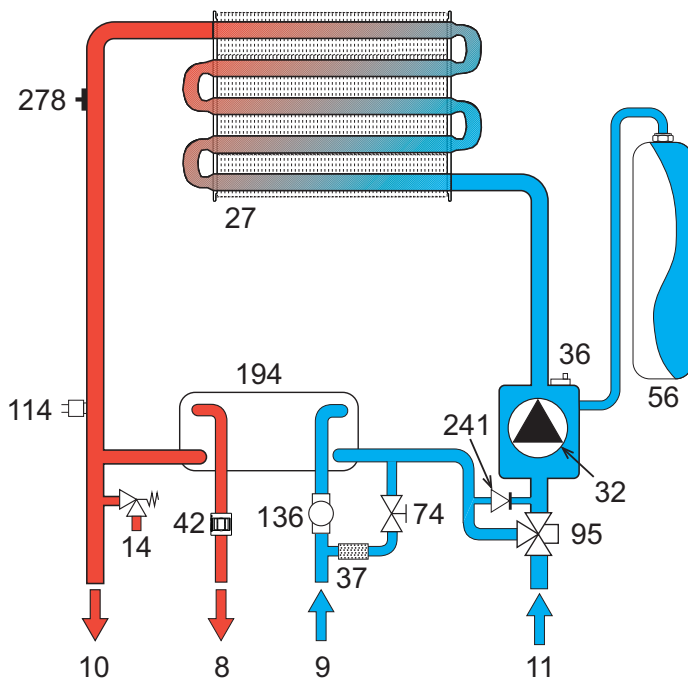


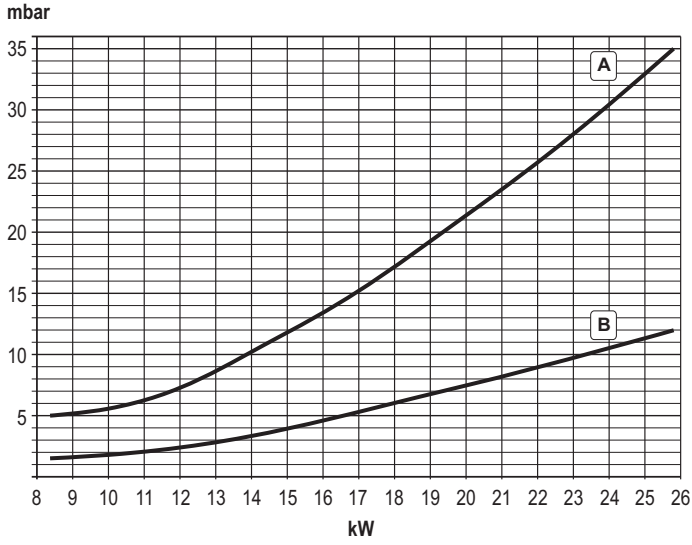
fig. 22 - Heating circuit

5.4 Technical data table

Data	Unit	DIVAtech D C24	DIVAtech D C32	
Max. heating capacity	kW	25.8	34.4	(Q)
Min. heating capacity	kW	8.3	11.5	(Q)
Max. Heat Output in heating	kW	23.5	31.3	(P)
Min. Heat Output in heating	kW	7.0	9.7	(P)
Max. Heat Output in DHW	kW	23.5	31.3	
Min. Heat Output in DHW	kW	7.0	9.7	
Efficiency Pmax (80-60°C)	%	91.0	91.0	
Efficiency 30%	%	89.6	89.8	
NOx emissions class	-	3 (<150 mg/kWh)		(NOx)
Burner nozzles G20	no. x Ø	11 x 1.35	15 x 1.35	
Gas supply pressure G20	mbar	20.0	20.0	
Max. gas pressure at burner (G20)	mbar	12.0	12.0	
Min. gas pressure at burner (G20)	mbar	1.5	1.5	
Max. gas flow G20	m <sup>3</sup> /h	2.73	3.64	
Min. gas flow G20	m <sup>3</sup> /h	0.88	1.22	
Burner nozzles G31	no. x Ø	11 x 0.79	15 x 0.79	
Gas supply pressure G31	mbar	37	37	
Max. gas pressure at burner (G31)	mbar	35.0	35.0	
Min. gas pressure at burner (G31)	mbar	5.0	5.0	
Max. gas flow G31	kg/h	2.00	2.69	
Min. gas flow G31	kg/h	0.65	0.90	
Max. working pressure in heating	bar	3	3	(PMS)
Min. working pressure in heating	bar	0.8	0.8	
Max. heating temperature	°C	90	90	(tmax)
Heating water content	liters	1.0	1.2	
Heating expansion vessel capacity	liters	8	10	
Heating expansion vessel precharge pressure	bar	1	1	
Max. working pressure in DHW	bar	9	9	(PMW)
Min. working pressure in DHW	bar	0.25	0.25	
DHW flow rate Δt 25°C	l/min	13.4	17.9	
DHW flow rate Δt 30°C	l/min	11.2	14.9	(D)
Protection rating	IP	X5D	X5D	
Power supply voltage	V/Hz	230V/50Hz		
Electrical power input	W	80	90	
Electrical power input in DHW	W	80	90	
Empty weight	kg	27	30	
Type of unit		B <sub>11BS</sub>		

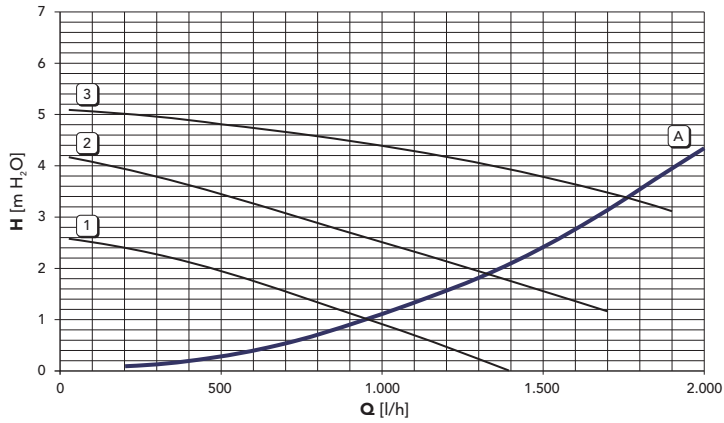
## 5.5 Diagrams

Pressure - power diagrams DIVAtch D C24



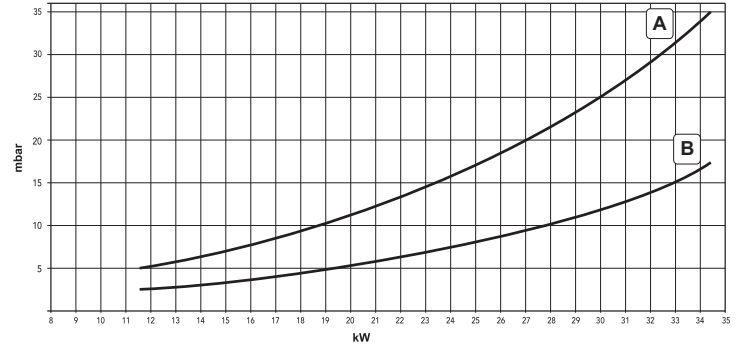
A = LPG - B = NATURAL GAS

Circulating pump head / pressure losses DIVAtch D C24



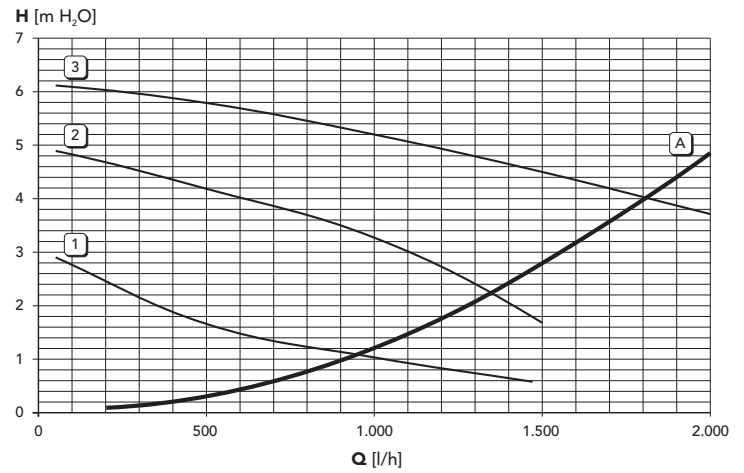
A = Boiler pressure losses - 1, 2 and 3 = Circulating pump speed

Pressure - power diagrams DIVAtch D C32



A = LPG - B = NATURAL GAS

Circulating pump head / pressure losses DIVAtch D C32



A = Boiler pressure losses - 1, 2 and 3 = Circulating pump speed

5.6 Wiring diagram

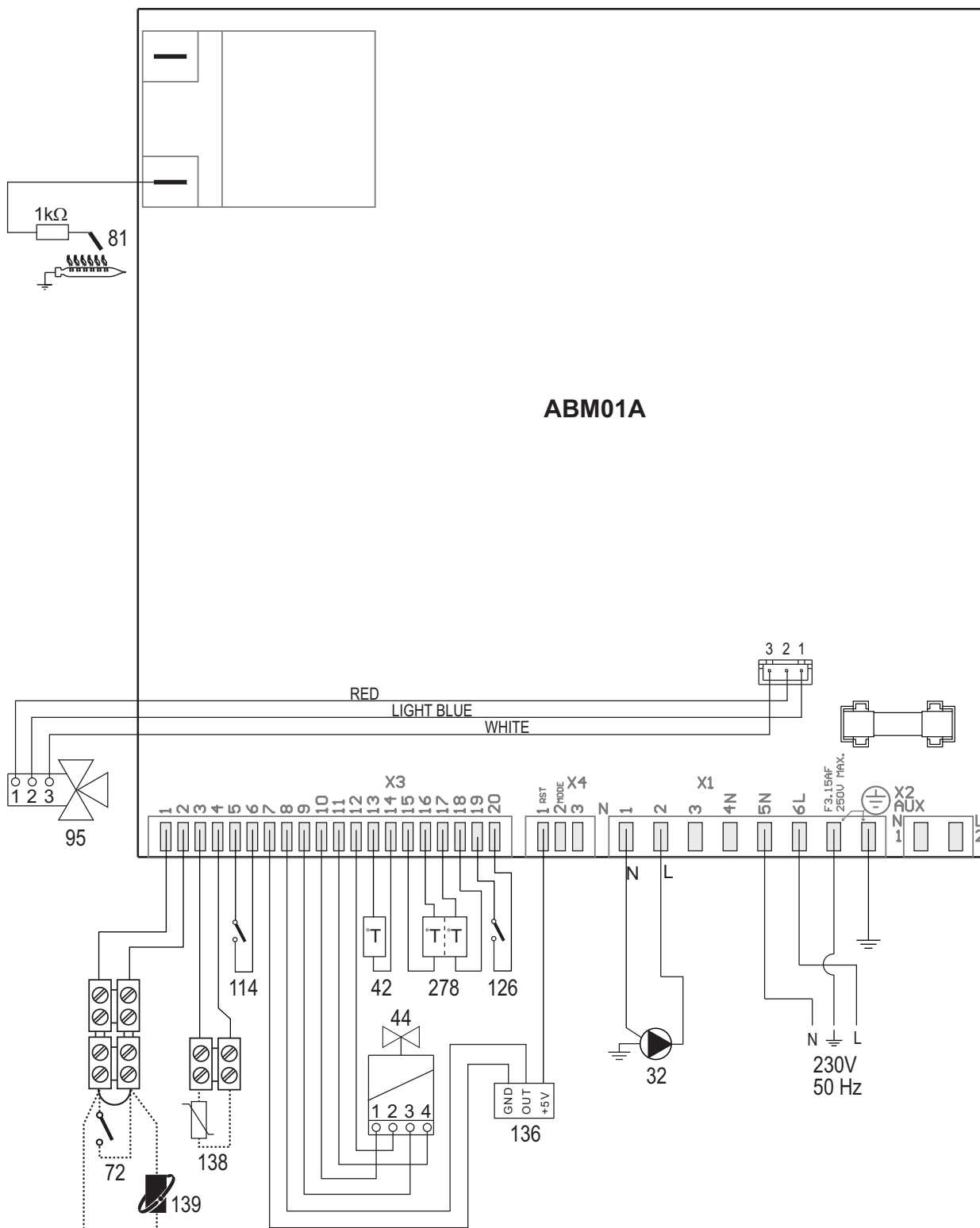


fig. 23- Wiring diagram

**Attention:** Remove the jumper on the terminal block before connecting the **room thermostat** or the **remote timer control**.

- 32 Heating circulating pump
- 42 DHW temperature sensor
- 44 Gas valve
- 72 Room thermostat (optional)
- 81 Ignition/detection electrode
- 95 Diverter valve
- 114 Water pressure switch
- 126 Fume thermostat
- 136 Flowmeter
- 138 External probe (optional)
- 139 Remote timer control (optional)
- 278 Double sensor (Safety + heating)

## FR

### 1. GÉNÉRALITÉS

- Lire attentivement les avertissements contenus dans le présent livret d'instructions
- Après l'installation de la chaudière, l'installateur doit informer l'utilisateur sur son fonctionnement et lui remettre le présent livret qui fait partie intégrante et essentielle du produit ; en outre, il doit être conservé avec soin pour toute consultation future
- L'installation et la manutention doivent être effectuées conformément aux normes en vigueur, selon les instructions du constructeur et par un personnel professionnel qualifié Toute opération sur les organes de réglage scellés est interdite
- Une installation incorrecte ou un entretien impropre peuvent entraîner des dommages à des personnes, à des animaux ou à des choses Le constructeur n'assume aucune responsabilité pour les dommages causés par des erreurs d'installation et d'utilisation et, dans tous les cas, en cas de non observance des instructions
- Avant d'effectuer toute opération de nettoyage ou d'entretien, isoler l'appareil du réseau d'alimentation électrique en actionnant l'interrupteur de l'installation et/ou au moyen des dispositifs d'isolement prévus
- Désactiver l'appareil en cas de panne et/ou de mauvais fonctionnement en s'abstenant de toute tentative de réparation ou d'intervention directe S'adresser uniquement à un personnel professionnel qualifié Les éventuelles réparations ou remplacements de composants devront être effectués uniquement par du personnel professionnel qualifié en n'utilisant que des pièces de rechange d'origine La non observance de ce qui précède compromet les conditions de sécurité de l'appareil
- Cet appareil ne peut servir que dans le cadre des utilisations pour lesquelles il a été conçu Tout autre usage doit être considéré comme impropre et donc dangereux
- Les éléments du conditionnement ne peuvent être laissés à la portée des enfants étant donné qu'ils pourraient être la source potentielle de dangers
- Cet appareil n'est pas prévu pour être utilisé par des personnes (y compris les enfants) dont les capacités physiques, sensorielles ou mentales sont réduites, ou des personnes dépourvues d'expérience ou des connaissances nécessaires, sauf si elles ont pu bénéficier, par l'intermédiaire d'une personne responsable de leur sécurité, d'une surveillance ou d'instructions préalables concernant l'utilisation de l'appareil.
- Mettre l'appareil et ses accessoires au rebut conformément aux normes en vigueur.
- Les images contenues dans ce manuel ne sont qu'une représentation simplifiée du produit Cette représentation peut présenter de légères différences, non significatives, par rapport au produit



LE MARQUAGE « CE » ATTESTE QUE LES PRODUITS SONT CONFORMES AUX EXIGENCES ESSENTIELLES DE L'ENSEMBLE DES DIRECTIVES QUI LEURS SONT APPLICABLES. LA DÉCLARATION CE DE CONFORMITÉ PEUT ÊTRE DEMANDÉE AU FABRICANT.

### 2. INSTRUCTIONS D'UTILISATION

#### 2.1 Introduction

Cher Client,

DIVAtech D C est un générateur thermique pour le chauffage et la production d'eau chaude sanitaire, à très haut rendement, fonctionnant au gaz naturel ou GPL et doté d'un système de contrôle à microprocesseur.

#### 2.2 Tableau des commandes

Panneau

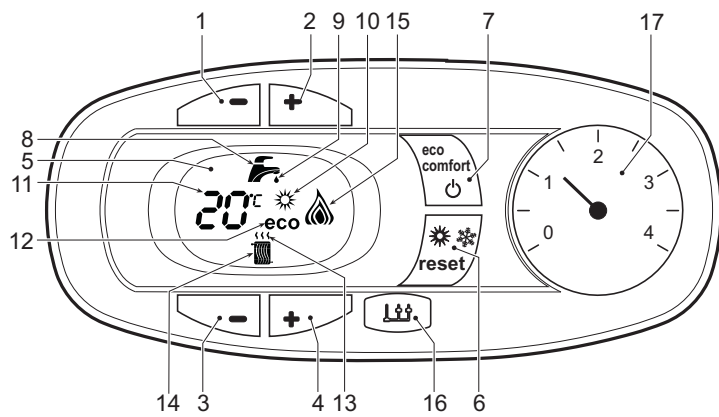


fig. 1 - Panneau de contrôle

#### Légende tableau fig. 1

- 1 Touche pour diminuer le réglage de la température de l'eau chaude sanitaire
- 2 Touche pour augmenter le réglage de l'eau chaude sanitaire
- 3 Touche pour diminuer le réglage de la température de l'installation de chauffage
- 4 Touche pour augmenter le réglage de la température de l'installation de chauffage
- 5 Afficheur
- 6 Touche Réarmement - sélection du mode Été/Hiver - Menu "Température évolutive"
- 7 Touche de sélection mode Eco/Confort - on/off appareil
- 8 Symbole eau chaude sanitaire
- 9 Indication du fonctionnement eau chaude sanitaire
- 10 Indication fonction Été
- 11 Indication multifonctions
- 12 Indication fonction Eco (Economy)
- 13 Indication fonction chauffage
- 14 Symbole chauffage
- 15 Indication brûleur allumé et niveau de puissance actuelle (clignotant pendant la fonction anomalie combustion)
- 16 Raccordement Service Tool
- 17 Hydromètre

### Indication durant le fonctionnement

#### Chauffage

La demande chauffage (engendrée par le thermostat d'ambiance ou chronocommande à distance) est indiquée par le clignotement de l'air chaud au-dessus du radiateur sur l'afficheur.

L'afficheur (rep. 11 - fig. 1) visualise la température actuelle du départ du chauffage et pendant le temps d'attente, l'indication "d2".

#### Sanitaire

La demande d'eau chaude sanitaire (engendrée par l'ouverture d'un robinet d'eau chaude sanitaire) est indiquée par le clignotement de l'eau chaude sous le robinet sur l'afficheur.

L'afficheur (rep. 11 - fig. 1) visualise la température actuelle de sortie de l'eau chaude sanitaire et pendant le temps d'attente l'indication "d1".

#### Confort

La demande Confort (rétablissement de la température interne de la chaudière) est indiquée par le clignotement de l'eau sous le robinet sur l'afficheur. L'afficheur (rep. 11 - fig. 1) visualise la température actuelle de l'eau contenue dans la chaudière.

#### Anomalie

En cas d'anomalie (voir cap. 4.4), l'afficheur visualise le code d'erreur (rep. 11 - fig. 1) et, durant les temps d'attente de sécurité, les indications « d3 », « d4 » et « d5 ».

#### 2.3 Allumage et extinction

##### Raccordement au réseau électrique

- Pendant les 5 premières secondes, l'afficheur visualise la version logicielle de la carte.
- Ouvrir le robinet du gaz en amont de la chaudière.
- La chaudière est prête à fonctionner automatiquement chaque fois que l'on prélève de l'eau chaude sanitaire ou en présence d'une demande de chauffage (de la part du thermostat ambiant ou de la chronocommande à distance).

##### Extinction et allumage de la chaudière

Appuyer sur la touche on/off (rep. 7 - fig. 1) et garder le doigt dessus pendant 5 secondes.

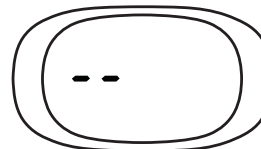


fig. 2 - Extinction de la chaudière

Au moment où l'on éteint la chaudière, la carte électronique reste encore sous tension. Le fonctionnement eau sanitaire et chauffage est désactivé. Le système antigel reste actif. Pour rallumer la chaudière, appuyer sur la touche on/off (rep. 7 - fig. 1) pendant 5 secondes.

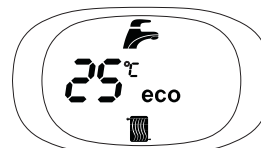


fig. 3

La chaudière est prête à fonctionner immédiatement lorsque l'on puise de l'eau chaude sanitaire ou en présence d'une demande de chauffage (provenant du thermostat d'ambiance ou de la chronocommande à distance).



En cas de coupure de la tension d'alimentation de l'appareil et/ou de coupure de l'arrivée de gaz, le système antigel ne fonctionne pas. Pour les longues périodes d'arrêt en hiver et afin d'éviter les dommages causés par le gel, il est conseillé d'éliminer toute l'eau contenue dans la chaudière, dans le circuit sanitaire et dans l'installation ou bien de ne vider que l'eau sanitaire et de verser l'antigel approprié dans l'installation de chauffage, en respectant les prescriptions au sez. 3.3.

#### 2.4 Réglages

##### Commutation Été/Hiver

Appuyer sur la touche été/hiver (rep. 6 - fig. 1) pendant 2 secondes.

L'afficheur montre le symbole Été (rep. 10 - fig. 1) : la chaudière ne fournira que de l'eau chaude sanitaire. Le système antigel reste actif.

Pour désactiver le mode Été, appuyer à nouveau sur la touche été/hiver (rep. 6 - fig. 1) pendant 2 secondes.

##### Réglage de la température de chauffage

Appuyer sur les touches chauffage (rep. 3 et 4 - fig. 1) pour régler la température d'un minimum de 30°C à un maximum de 80°C. Toutefois, il est conseillé de ne pas faire fonctionner la chaudière en dessous de 45°C.



fig. 4



**Réglage de la température d'eau chaude sanitaire**

Appuyer sur les touches sanitaire (rep. 1 et 2 - fig. 1) pour régler la température entre 40°C (minimum) et 55°C (maximum).

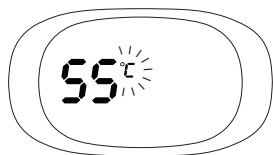


fig. 5

**Réglage de la température ambiante (avec thermostat d'ambiance en option)**

Programmer à l'aide du thermostat d'ambiance la température souhaitée à l'intérieur des pièces. Si le thermostat d'ambiance n'est pas monté, la chaudière maintiendra l'installation à la température de consigne départ.

**Régulation de la température ambiante (par chronocommande à distance en option)**

Programmer à l'aide de la chronocommande à distance la température souhaitée à l'intérieur des pièces. La chaudière réglera la température dans le circuit d'eau de l'installation en fonction de la température ambiante demandée. Pour le fonctionnement par chronocommande à distance, se reporter au manuel d'utilisation spécifique.

**Sélection Eco/Confort**

L'appareil est doté d'une fonction qui garantit une vitesse élevée de débit d'ECS et un confort optimal pour l'utilisateur. Lorsque le dispositif est en fonction (mode CONFORT), l'eau contenue dans la chaudière est maintenue en température, ce qui permet d'obtenir immédiatement l'eau chaude à la sortie de la chaudière, dès l'ouverture du robinet.

Le dispositif peut être désactivé par l'utilisateur (mode ECO) en appuyant sur la touche **eco/confort** (7 - fig. 1). En mode ECO, l'afficheur active le symbole ECO (rep. 12 - fig. 1). Pour activer le mode CONFORT, appuyer sur la touche **eco/confort** (rep. 7 - fig. 1).

**Température évolutive**

Si la sonde extérieure (option) est montée, le système de réglage de la chaudière travaillera en « Température évolutive ». Dans ce mode, la température de l'installation chauffage est régulée en fonction des conditions climatiques extérieures de manière à garantir un confort élevé et une économie d'énergie pendant toute l'année. En particulier, lorsque la température extérieure augmente la température de départ installation diminue selon une "courbe de compensation" donnée.

Avec le réglage évolutif, la température sélectionnée par les touches chauffage (rep. 3 - fig. 1) devient la température maximum de refoulement de l'installation. Il est conseillé de régler la valeur maximale pour permettre au système de réguler la température sur toute la plage utile de fonctionnement.

La chaudière doit être réglée au cours de l'installation par un professionnel qualifié. Noter que l'utilisateur pourra faire des adaptations ou ajustements éventuels pour améliorer le confort.

**Courbe de compensation et déplacement des courbes**

Appuyer sur la touche **reset** (rep. 6 - fig. 1) pour accéder au menu « Température évolutive » ; « CU » clignote 5 secondes sur l'afficheur.

Appuyer sur les touches sanitaire (rep. 1 - fig. 1) pour régler la courbe désirée de 1 à 10, selon la caractéristique (fig. 6). Si la courbe est réglée sur 0, le réglage de la température évolutive est désactivé.

Appuyer sur les touches chauffage (rep. 3 - fig. 1) pour accéder au déplacement parallèle des courbes ; « OF » clignote sur l'afficheur. Appuyer sur les touches sanitaire (rep. 1 - fig. 1) pour régler le déplacement parallèle des courbes en fonction de la caractéristique (fig. 7).

Appuyer de nouveau sur la touche **reset** (rep. 6 - fig. 1) pendant 5 secondes pour quitter le menu « Température évolutive ».

Si la température ambiante est inférieure à la valeur désirée, il est conseillé de définir une courbe supérieure et vice versa Augmenter ou diminuer d'une unité et vérifier le résultat dans la pièce ou le local.

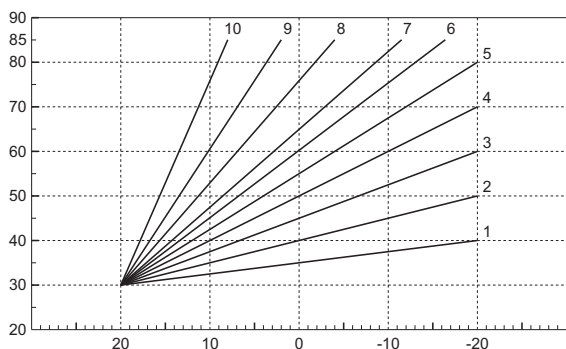


fig. 6 - Courbes de compensation

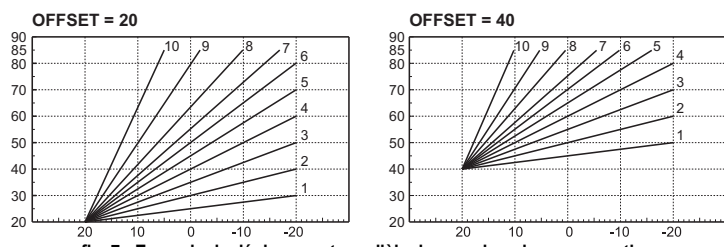


fig. 7 - Exemple de déplacement parallèle des courbes de compensation

**Réglages à partir de la chronocommande à distance**

Si la chaudière est reliée à la chronocommande à distance (option), les réglages ci-dessus seront gérés comme indiqué dans le tableau 1.

Tableau 1

Réglage de la température de chauffage	Le réglage peut être exécuté tant depuis le menu de la chronocommande à distance que du panneau de commande de la chaudière.
Réglage de la température d'eau chaude sanitaire	Le réglage peut être exécuté tant depuis le menu de la chronocommande à distance que du panneau de commande de la chaudière.
Commutation Été/Hiver	Le mode Été a la priorité sur une éventuelle demande de chauffage provenant de la chronocommande à distance.
Sélection Eco/Confort	En désactivant l'eau chaude sanitaire à partir du menu de la chronocommande à distance, la chaudière sélectionne le mode Economy. Dans cette condition, la touche <b>eco/confort</b> (rep. 7 - fig. 1) sur le panneau de la chaudière est désactivée. En activant l'eau chaude sanitaire à partir du menu de la chronocommande à distance, la chaudière sélectionne le mode Confort. Dans cette condition, il est possible de sélectionner l'un des deux modes à l'aide de la touche <b>eco/confort</b> (rep. 7 - fig. 1) sur le panneau de la chaudière.
Température évolutive	La chronocommande à distance ainsi que la carte de la chaudière gèrent le réglage de la température évolutive : la température évolutive de la carte de la chaudière a la priorité.

**Réglage de la pression hydraulique de l'installation**

La pression de remplissage installation à froid, lue sur l'hydromètre de la chaudière (rep. 2 - fig. 8), doit correspondre environ à 1,0 bar. Si la pression de l'installation descend en dessous de la valeur minimale, la chaudière s'arrête et l'afficheur visualise l'anomalie **F37**. Extraire le robinet de remplissage (rep. 1 - fig. 8) et le tourner dans le sens inverse des aiguilles d'une montre pour rétablir la valeur initiale. Toujours refermer le robinet une fois l'opération terminée.

Après le rétablissement de la pression de l'installation, la chaudière activera le cycle de purge de l'air pendant 300 secondes ; cette condition est signalée sur l'afficheur par l'indication **Fh**.

Pour éviter le blocage de la chaudière, il est conseillé de vérifier périodiquement la pression lue sur le manomètre avec l'installation à froid. Si la pression est inférieure à 0,8 bar, rétablir la valeur normale.

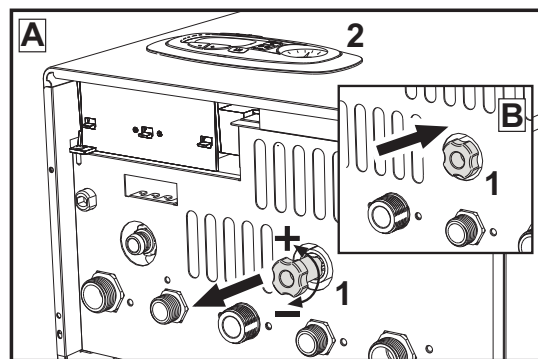


fig. 8- Robinet de remplissage

**Vidange installation**

La bague du robinet de vidange est située sous la soupape de sécurité positionnée à l'intérieur de la chaudière.

Pour vidanger l'installation, tourner la bague (rep. 1 - fig. 9) dans le sens inverse des aiguilles d'une montre pour ouvrir le robinet. Éviter d'utiliser un outil quelconque pour effectuer cette opération. Tourner la bague uniquement avec les mains.

Pour vidanger l'eau uniquement dans la chaudière, fermer préalablement les vannes d'arrêt ou d'isolement entre l'installation et la chaudière avant d'agir sur la bague.

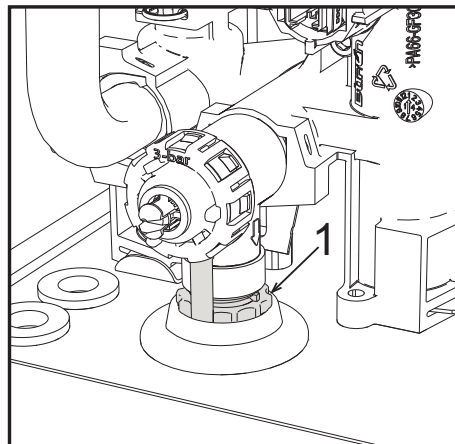


fig. 9- Soupape de sécurité avec robinet de vidange

## 3. INSTALLATION

### 3.1 Dispositions générales

L'INSTALLATION DE LA CHAUDIÈRE DOIT ÊTRE EFFECTUÉE CONFORMÉMENT AUX TEXTES RÉGLEMENTAIRES ET RÈGLES DE L'ART EN VIGUEUR, SUIVANT LES INSTRUCTIONS DU CONSTRUCTEUR ET PAR UN PROFESSIONNEL QUALIFIÉ.

### 3.2 Emplacement

**⚠ Cet appareil est du type "à chambre ouverte" et ne peut être installé et fonctionner que dans des locaux continuellement aérés. Un apport insuffisant d'air comburant à la chaudière peut compromettre le bon fonctionnement ainsi que l'évacuation des fumées. En outre, les produits de combustion qui se seraient formés en de telles conditions nuiraient gravement à la santé en se propageant dans l'air ambiant de l'habitation.**

L'appareil peut fonctionner dans un endroit partiellement protégé ayant une température minimum de -5 °C. S'il est équipé du kit hors-gel, il peut être utilisé jusqu'à une température minimale de -15 °C. Installer la chaudière à l'abri, par exemple sous un auvent, à l'intérieur d'un balcon ou dans une niche abritée.

Le lieu d'installation doit être exempt de toute poussière, d'objets ou de matériaux inflammables ainsi que de gaz corrosifs.

La chaudière peut être accrochée au mur : elle est équipée en série d'un étrier de fixation. La fixation murale doit garantir un soutien stable et efficace du générateur.

**☞** Si l'appareil est monté interposé entre deux meubles ou en juxtaposition de ceux-ci, prévoir de l'espace pour le démontage de l'habillage et pour l'entretien normal

### 3.3 Raccordements hydrauliques

#### Avertissements

**⚠** L'évacuation de la soupape de sûreté doit être raccordée à un entonnoir d'écoulement, ou à une tuyauterie de récupération, pour éviter le dégorgement d'eau au sol en cas de surpression dans le circuit de chauffage. Dans le cas contraire, si la soupape de sûreté se déclenche et provoque l'inondation du local, le fabricant de la chaudière ne sera pas tenu pour responsable des dégâts conséquents.

**⚠** Avant d'effectuer le raccordement, veiller à ce que l'appareil soit préparé pour fonctionner avec le type de combustible disponible et prendre soin de bien nettoyer les conduites du circuit.

Effectuer les raccordements aux points prévus, comme indiqué sur le dessin fig. 18 et conformément aux pictogrammes se trouvant sur l'appareil.

**Remarque :** l'appareil est équipé de déviation interne du circuit de chauffage.

#### Caractéristiques de l'eau de l'installation

En présence d'une eau ayant un degré de dureté supérieur à 25° Fr (1°F = 10ppm CaCO<sub>3</sub>), il est recommandé d'utiliser une eau spécialement traitée afin d'éviter toute incrustation éventuelle dans la chaudière.

#### Système antigel, produits antigels, additifs et inhibiteurs

Si nécessaire, il est possible d'utiliser des liquides antigel, des additifs et des inhibiteurs, uniquement et exclusivement si le producteur de ces liquides ou additifs fournit une garantie qui assure que ses produits sont appropriés à l'utilisation et ne provoquent pas de dommages à l'échangeur de la chaudière ou à d'autres composants et/ou matériaux de la chaudière et de l'installation. Il est interdit d'utiliser des liquides antigel, des additifs et des inhibiteurs non spécifiquement prévus pour l'utilisation dans des circuits thermiques et compatibles avec les matériaux composant la chaudière et le circuit.

### 3.4 Raccordement gaz

Le raccordement au gaz doit être effectué au raccord prévu (voir fig. 18), conformément aux normes en vigueur ; utiliser un tuyau métallique rigide ou flexible, à paroi continue en acier inoxydable, en intercalant un robinet de gaz entre la chaudière et le circuit Vérifier l'étanchéité de toutes les connexions du gaz

### 3.5 Branchements électriques

#### AVERTISSEMENTS

**⚠ AVANT TOUTE OPÉRATION PRÉVOYANT LE DÉMONTAGE DE L'HABILLAGÉ, DÉBRANCHER LA CHAUDIÈRE DU SECTEUR EN INTERVENANT SUR L'INTERRUPTEUR GÉNÉRAL.**

**NE TOUCHER AUCUN COMPOSANT ÉLECTRIQUE OU CONTACT SI L'INTERRUPTEUR GÉNÉRAL N'A PAS ÉTÉ COUPÉ ! RISQUE DE BLESSURES OU DE MORT PAR ÉLECTROCUTION !**

**⚠** La sécurité électrique de l'appareil ne peut être assurée que lorsque celui-ci est correctement raccordé à une ligne de mise à la terre efficace conforme aux normes en vigueur Faire vérifier par un professionnel qualifié l'efficacité et la conformité de la connexion avec la mise à la terre. Le constructeur décline toute responsabilité pour des dommages découlant de l'absence de connexion de mise à la terre ou de son inefficacité et du non-respect des normes électriques en vigueur

La chaudière est précâblée ; le câble de raccordement au réseau électrique de l'établissement (au secteur) est de type tripolaire sans fiche. Les connexions au secteur doivent être réalisées par raccordement fixe et prévoir un interrupteur bipolaire avec une distance entre les contacts d'ouverture d'au moins 3 mm et l'interposition de fusibles de 3A maxi entre la chaudière et la ligne Il est important de respecter la polarité (LIGNE : câble marron / NEUTRE : câble bleu / TERRE : câble jaune-vert) dans les raccordements au secteur.

**⚠** Le câble d'alimentation de l'appareil **NE DOIT PAS ÊTRE REMPLACÉ PAR L'UTILISATEUR. En cas d'endommagement du câble, éteindre l'appareil. Pour son remplacement, s'adresser exclusivement un professionnel qualifié** En cas de remplacement du câble électrique d'alimentation, utiliser exclusivement un câble « HAR H05 VV-F » 3x0,75 mm<sup>2</sup> avec diamètre extérieur maximum de 8 mm.

#### Thermostat d'ambiance (optionnel)

**⚠ ATTENTION : LE THERMOSTAT D'AMBIANCE DOIT ÊTRE À CONTACTS PROPRES. EN RELIANT 230 V. AUX BORNES DU THERMOSTAT, LA CARTE ÉLECTRONIQUE EST IRRÉMÉDIABLEMENT DÉTÉRIORÉE.**

En raccordant une chronocommande ou un interrupteur horaire (minuterie), éviter d'utiliser l'alimentation de ces dispositifs à partir de leur contact d'interruption. Leur alimentation doit se faire par raccordement direct au secteur ou par piles selon le type de dispositif.

#### Accès au bornier électrique

Après avoir retiré l'habillage, il est possible d'accéder au bornier électrique. La disposition des barrettes pour les différentes connexions est reportée dans le schéma électrique au fig. 23.

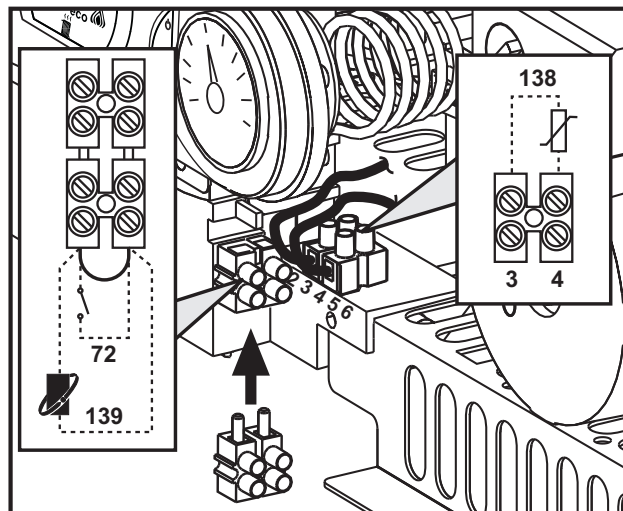


fig. 10 - Accès au bornier

### 3.6 Conduits d'air/de fumées

Le tube de raccordement du conduit de fumée doit être d'un diamètre non inférieur à la bouche de l'antirefouleur. Le tronçon vertical doit avoir une longueur non inférieure à un demi-mètre à partir de l'antirefouleur. Les normes en vigueur devront être respectées pour le dimensionnement et le montage des conduits de fumée, ainsi que du tuyau de raccordement.

**⚠** La chaudière est équipée d'un dispositif de sécurité (thermostat fumées) qui bloque le fonctionnement de l'appareil en cas de mauvais tirage ou d'obstruction du conduit de la cheminée. Ce dispositif ne doit jamais être modifié ou désactivé.

## 4. UTILISATION ET ENTRETIEN

#### Avertissements

**⚠ Toutes les opérations de réglage, transformation, mise en service, entretien décrites ci-après sont réservées à des techniciens qualifiés (ayant suivi la formation professionnelle prévue par les normes en vigueur) tel que le personnel du SAV.**

**FERROLI décline toute responsabilité en cas de dommages matériels et/ou corporels dus à la manipulation de l'appareil de la part de personnes non qualifiées et non autorisées.**

4.1 Réglages

Adaptation au gaz d'alimentation

**⚠️ TOUS LES COMPOSANTS ENDOMMAGÉS PENDANT LES OPÉRATIONS D'ADAPTATION DOIVENT ÊTRE REMPLACÉS.**

L'appareil peut fonctionner au méthane ou au GPL, et est prédisposé en usine pour l'un de ces deux types de gaz comme il est clairement indiqué sur l'emballage et sur la plaque des données techniques. Quand l'appareil doit être utilisé avec un gaz différent de celui avec lequel il a été calibré et testé en usine, il faut se procurer le kit d'adaptation approprié et procéder de la manière suivante :

- Couper l'alimentation électrique de la chaudière et fermer le robinet de gaz.
- Remplacer les gicleurs du brûleur principal en montant les gicleurs indiqués sur le tableau des caractéristiques techniques cap. 5, en fonction du type de gaz utilisé
- Rétablir l'alimentation électrique de la chaudière et ouvrir le robinet du gaz.
- Modifier le paramètre concernant le type de gaz :
  - mettre la chaudière en mode veille
  - appuyer sur les touches sanitaire (rep. 1 et 2 - fig. 1) pendant 10 secondes : sur l'afficheur apparaît l'indication clignotante « **b01** ».
  - appuyer sur les touches sanitaire (rep. 1 et 2 - fig. 1) pour programmer le paramètre **00** (fonctionnement au méthane) ou bien **01** (fonctionnement au GPL).
  - appuyer sur les touches sanitaire (rep. 1 et 2 - fig. 1) pendant 10 secondes.
  - La chaudière repasse en mode veille
- Régler les pressions minimum et maximum au brûleur (voir paragraphe correspondant) en programmant les valeurs indiquées dans le tableau des données techniques pour le type de gaz utilisé
- Appliquer la plaquette adhésive, contenue dans le kit d'adaptation, près de la plaquette signalétique (des données techniques), attestant que l'adaptation a bien été effectuée.

Activation de la fonction « Auto-setting » pour le tarage de la vanne à gaz

**CETTE PROCÉDURE NE DOIT ÊTRE EFFECTUÉE QUE DANS LES CAS SUIVANTS : REMPLACEMENT DE LA VANNE À GAZ, REMPLACEMENT DE LA CARTE, ADAPTATION POUR CHANGEMENT DE GAZ D'ALIMENTATION.**

La vanne à gaz B&P (avec opérateur modulant intégré) ne prévoit pas d'opérations de tarage mécanique : les réglages de la puissance minimale et de la puissance maximale sont donc réalisés de manière électronique via deux paramètres :

Sommaire	Description	Gaz naturel	Gaz propane
q01	Offset courant minimum absolu	0+100	0+150
q02	Offset courant maximum absolu	0+100	0-150

Pré-tarage de la vanne à gaz

- Relier un manomètre pour surveiller la pression à la sortie de la vanne à gaz.
- Activer la fonction **Auto-setting** (Paramètre b12=1).
- Activer la procédure de tarage en appuyant simultanément 5 secondes sur la touche chauffage + et la touche Eco/Comfort. L'indication « Au-to » apparaît immédiatement sur l'afficheur (sous forme de deux clignotements consécutifs). Le brûleur est ensuite allumé. Dans un délai de 8 secondes (méthane et GPL) la chaudière trouve le point d'allumage. Les valeurs du point d'allumage, l'Offset courant minimum absolu (Paramètre q01) et l'Offset courant maximum absolu (Paramètre q02), sont mémorisés dans la carte.

Tarage de la vanne à gaz

- Sur l'afficheur apparaîtra l'indication clignotante « q02 » ; le courant de modulation est donc forcé à la valeur de pré-tarage du paramètre Offset courant maximum absolu (Paramètre q02).
- Appuyer sur les touches sanitaire pour régler le paramètre « q02 » jusqu'à ce que le manomètre indique la pression maximale nominale moins 1 mbar. Attendre 10 secondes pour que la pression se stabilise.
- Appuyer sur la touche **sanitaire « + »** pour régler le paramètre « q02 » jusqu'à ce que le manomètre indique la pression maximale nominale. Attendre 10 secondes pour que la pression se stabilise.
- Si la pression lue sur le manomètre est différente de la pression maximale nominale, augmenter de 1 ou 2 unités le paramètre « q02 » par appui sur la touche **sanitaire « + »** : après chaque modification, attendre 10 secondes pour que la pression se stabilise.
- Lorsque la pression lue sur le manomètre est égale à la pression maximale nominale (la valeur à peine ajustée du paramètre « q02 » est automatiquement enregistrée), appuyer sur la touche **chauffage « - »** : sur l'afficheur apparaîtra l'indication clignotante « q01 » ; le courant de modulation est donc forcé à la valeur de pré-tarage du paramètre Offset courant minimum absolu (Paramètre q01).
- Appuyer sur les touches sanitaire pour régler le paramètre « q01 » jusqu'à ce que le manomètre indique la pression minimale nominale plus 0,5 mbar. Attendre 10 secondes pour que la pression se stabilise.
- Appuyer sur la touche **sanitaire « - »** pour régler le paramètre « q01 » jusqu'à ce que le manomètre indique la pression minimale nominale. Attendre 10 secondes pour que la pression se stabilise.
- Si la pression lue sur le manomètre est différente de la pression minimale nominale, diminuer de 1 ou 2 unités le paramètre « q01 » par appui sur la touche **sanitaire « - »** : après chaque modification, attendre 10 secondes pour que la pression se stabilise.
- Lorsque la pression lue sur le manomètre est égale à la pression minimale nominale (la valeur à peine ajustée du paramètre « q01 » est automatiquement enregistrée), vérifier de nouveau les réglages en appuyant sur les touches chauffage et les corriger éventuellement en répétant la procédure décrite précédemment.
- La procédure de tarage termine automatiquement au bout de 15 minutes ou en appuyant simultanément 5 secondes sur les touches **chauffage « + »** et Eco/Comfort.

Vérification des valeurs de pression du gaz et réglage à une plage limitée

- Vérifier que la pression d'alimentation correspond bien à celle indiquée dans le tableau des caractéristiques techniques.
- Relier un manomètre à la prise de pression « **B** » montée en aval de la vanne à gaz.
- Activer le mode **TEST** et suivre les instructions fournies pour la vérification des pressions du gaz à la puissance maximale et à la puissance minimale (Voir paragraphe suivant).

Si les pressions nominales maximale et/ou minimale lues sur le manomètre sont différentes de celles indiquées dans le tableau des caractéristiques techniques, procéder selon la séquence ci-après.

- Appuyer sur la touche Eco/Comfort pendant 2 secondes pour entrer dans le mode Tarage de la vanne à gaz à plage limitée.
- La carte va sur la configuration « **q02** » et visualise la valeur actuellement enregistrée (sauvegardée) en appuyant sur les touches sanitaire.
- Si la **pression maximale** lue sur le manomètre est différente de celle nominale, augmenter/diminuer de 1 ou 2 unités le paramètre « **q02** » par appui sur les touches sanitaire : après chaque modification, la valeur est mémorisée ; attendre 10 secondes pour que la pression se stabilise.
- Appuyer sur la touche "Chauffage" « - » (rep. 3 - fig. 1).
- La carte va sur la configuration « **q01** » et visualise la valeur actuellement enregistrée (sauvegardée) en appuyant sur les touches sanitaire.
- Si la **pression minimale** lue sur le manomètre est différente de celle nominale, augmenter/diminuer de 1 ou 2 unités le paramètre « **q01** » par pression des touches sanitaire : après chaque modification, la valeur est mémorisée ; attendre 10 secondes pour que la pression se stabilise.
- Vérifier les réglages au travers de la pression des touches de chauffage et les corriger éventuellement en répétant la procédure décrite précédemment.
- En appuyant la touche Eco/Comfort pendant 2 secondes, on revient au mode TEST.
- Désactiver le mode **TEST** (Voir paragraphe suivant).
- Débrancher le manomètre.

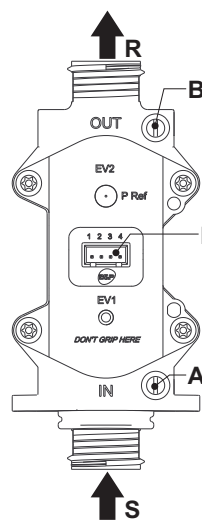


fig. 11 - Vanne à gaz

- A - Prise de pression en amont
- B - Prise de pression en aval
- I - Connexion électrique soupape de gaz
- R - Sortie gaz
- S - Arrivée gaz

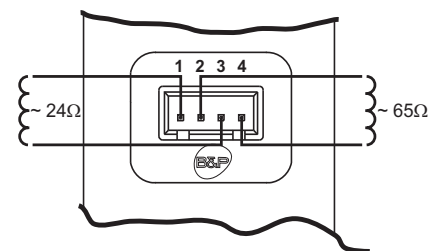


fig. 12 - Connexion soupape de gaz

TYPE SGV100  
Pi maxi 65 mbar  
24 Vdc - class B+A

Activation du mode TEST

Appuyer simultanément 5 secondes sur les touches chauffage (rep. 3 et 4 - fig. 1) pour valider le mode **TEST**. La chaudière s'allume à la puissance maximale de chauffage fixée comme décrit dans le paragraphe suivant.

Les symboles chauffage et sanitaire (fig. 13) clignotent sur l'afficheur ; la puissance chauffage sera affichée à côté.

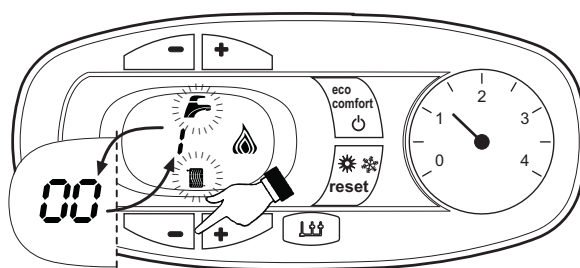


fig. 13 - Mode TEST (puissance chauffage = 100%)

Appuyer sur les touches chauffage (rep. 3 et 4 - fig. 1) pour augmenter ou réduire la puissance (Minimum = 0%, Maximum = 100%).

Appuyer sur la touche sanitaire « - » (rep. 1 - fig. 1) pour régler immédiatement la puissance de la chaudière sur la valeur minimum (0%). Appuyer sur la touche sanitaire « + » (rep. 2 - fig. 1) pour régler immédiatement la puissance de la chaudière sur la valeur maximum (100%).

En cas d'activation du mode TEST et de puisage d'eau chaude sanitaire, suffisant pour activer le mode Sanitaire, la chaudière reste en mode TEST, mais la vanne 3 voies se positionne sur sanitaire.

Pour désactiver le mode TEST, appuyer simultanément sur les touches chauffage (rep. 3 et 4 - fig. 1) pendant 5 secondes.

Le mode TEST se désactive automatiquement après 15 minutes ou si on interrompt le puisage d'eau chaude sanitaire (pour autant que celui-ci soit suffisant pour activer le mode Sanitaire).

Réglage de la puissance de chauffage

Pour régler la puissance en chauffage, positionner la chaudière en fonctionnement TEST (voir sez. 4.1). Appuyer sur les touches chauffage rep. 3 - fig. 1 pour augmenter ou diminuer la puissance (minimum = 00 - maximum = 100). En appuyant sur la touche **reset** dans les 5 secondes qui suivent le réglage, la puissance restera celle à peine fixée. Sortir du fonctionnement TEST (voir sez. 4.1).



## Menu configuration

Pour accéder au menu Configuration, appuyer simultanément 10 secondes sur les touches Sanitaire. **12 paramètres** indiqués par la lettre « b » sont disponibles ; ils ne sont pas modifiables par la chronocommande à distance.

Appuyer sur les touches Chauffage pour parcourir la liste des paramètres, respectivement en ordre croissant ou décroissant. Pour visualiser ou modifier la valeur d'un paramètre, il suffit d'appuyer sur les touches Sanitaire : la modification sera sauvegardée automatiquement.

Sommaire	Description	Plage	Paramètre
b01	Sélection type de gaz	0= Méthane 1=GPL	0
b02	Sélection type de chaudière	1=Instantanée bithermique 2=Instantanée monothermique 3=Chauffage seul (vanne 3 voies) 4=Chauffage seul (circulateur)	2
b03	Sélection type chambre de combustion	0=Chambre étanche contrôle de combustion (sans PF) 1=Chambre ouverte (avec TF) 2=Chambre étanche (avec PF) 3=Chambre étanche contrôle de combustion (avec TF sur récupérateur) 4 = LOW NOx Chambre étanche contrôle de combustion (sans PF) 5=LOW NOx Chambre ouverte (avec TF)	1
b04	Sélection type d'échangeur primaire	0 + 13	4 (pour le modèle C24) 5 (pour le modèle C32)
b05	Sélection fonctionnement relais de sortie variable (b02=1)	0 = Vanne gaz extérieure 1 = Electrovanne de remplissage installation 2 = Vanne 3 voies solaire 3 = Alimentation témoin avec présence d'anomalie 4 = Alimentation témoin avec absence d'anomalie 5 = Circulateur extérieur (pendant la demande et la post-circulation)	NON DISPONIBLE POUR CE MODÈLE
	Sans influence sur le réglage (b02=2)	--	0
	Sans influence sur le réglage (b02=3)	--	
	Sans influence sur le réglage (b02=4)	--	
b06	Fréquence tension de ligne	0=50 Hz 1=60 Hz	0
b07	Temps brûleur allumé Confort (b02=1)	0-20 secondes	5
	Sans influence sur le réglage (b02=2)	--	
	Sans influence sur le réglage (b02=3)	--	
	Sans influence sur le réglage (b02=4)	--	
b08	Driver vanne à gaz	0 = Standard, 1	0
b09	Sélection type de demande sanitaire	0 = Fluxostat 1 = Débitmètre (190 imp/l) 2 = Débitmètre (450 imp/l) 3 = Débitmètre (700 imp/l)	1
b10	Temporisation débitmètre (b02=1)	0 = Désactivée 1 + 10=secondes	0
	Temporisation débitmètre (b02=2)	0=Désactivée 1-10=secondes	
	Sans influence sur le réglage (b02=3)	--	
	Sans influence sur le réglage (b02=4)	--	
b11	Débit activation mode Sanitaire (b02=1)	10 + 100 l/min/10	15
	Débit activation mode Sanitaire (b02=2)	10 + 100 l/min/10	
	Sans influence sur le réglage (b02=3)	--	
	Sans influence sur le réglage (b02=4)	--	
b12	Activation procédure « Auto-Settings »	0 = Désactivée 1 = Activée	0

## Notes :

- Les paramètres qui présentent plus d'une description varient leur fonctionnement et/ou plage en fonction de la configuration du paramètre entre parenthèses.
- Les paramètres qui présentent plus d'une description retournent à la valeur par défaut si le paramètre entre parenthèses est modifié.

Pour quitter le menu Configuration, appuyer simultanément 10 secondes sur les touches sanitaire ou attendre 2 minutes pour quitter le menu automatiquement.

## Menu Service

Appuyer 20 secondes sur la touche Reset pour accéder au Menu Service de la carte. 4 sous-menus sont disponibles : appuyer sur les touches Chauffage pour choisir, respectivement dans l'ordre croissant ou décroissant, « tS », « In », « Hi » ou « rE ». « tS » signifie Menu Paramètres Transparents, « In » signifie Menu Informations, « Hi » signifie Menu Historique : après avoir sélectionné le sous-menu, appuyer à nouveau sur la touche Reset pou y accéder ; « rE » signifie RAZ du Menu Historique : voir description.

### « tS » = Menu paramètres transparents

21 paramètres indiqués par la lettre « P » sont disponibles : ceux-ci sont également modifiables par la chronocommande à distance.

Appuyer sur les touches Chauffage pour parcourir la liste des paramètres, respectivement en ordre croissant ou décroissant. Pour visualiser ou modifier la valeur d'un paramètre, il suffit d'appuyer sur les touches Sanitaire : la modification sera sauvegardée automatiquement.

Sommaire	Description	Plage	DIVAtch D C
P01	Offset rampe d'allumage	0-40	20
P02	Rampe de chauffage	1-20 °C/minute	5
P03	Temps attente chauffage	0-10 minutes	2
P04	Post Circulation chauffage	0-20 minutes	6
P05	Point de consigne maximum usager chauffage	31-85 °C	80
P06	Puissance maximum chauffage	0-100 %	100
P07	Extinction brûleur en sanitaire (b02=1)	0=Fixe	
		1=Lié au point de consigne	
		2=Solaire	
		3 = NE PAS UTILISER	
P07	Extinction brûleur en sanitaire (b02=2)	0=Fixe	0
		1=Lié au point de consigne	
		2=Solaire	
		3 = NE PAS UTILISER	
	Hystérésis ballon (b02=3)	0 (ne pas utiliser) 1-2-3-4 °C	
	Hystérésis ballon (b02=4)	0 (ne pas utiliser) 1-2-3-4 °C	
P08	Temps d'attente sanitaire (b02=1)	0-60 secondes	30
	Temps d'attente sanitaire (b02=2)	0-60 secondes	
	Temps d'attente sanitaire (b02=3)	0-60 secondes	
	Temps d'attente sanitaire (b02=4)	0-60 secondes	
P09	Point de consigne maximum usager sanitaire (b02=1)	50-65 °C	50
	Point de consigne maximum usager sanitaire (b02=2)	50-65 °C	
	Point de consigne maximum usager sanitaire (b02=3)	50-65 °C	
	Point de consigne maximum usager sanitaire (b02=4)	50-65 °C	
P10	Température fonction Anti-inertie (b02=1)	5-85 °C	0
	Sans influence sur le réglage (b02=2)	--	
	Température refoulement en sanitaire (b02=3)	70-85 °C	
	Température refoulement en sanitaire (b02=4)	70-85 °C	
P11	Post-circulation fonction Anti-inertie (b02=1)	0-10 secondes	30
	Post-circulation sanitaire (b02=2)	0-60 secondes	
	Post-circulation sanitaire (b02=3)	0-60 secondes	
	Post-circulation sanitaire (b02=4)	0-60 secondes	
P12	Puissance maximum eau chaude sanitaire	0-100 %	100
P13	Puissance minimum absolue	0-100 %	0
P14	NON DISPONIBLE POUR CE MODÈLE		
P15	Offset limite CO2 (b03=0)	0 (Minimum) 30 (Maximum)	20
	Sans influence sur le réglage (b03=1)	--	
	Sans influence sur le réglage (b03=2)	--	
P15	Offset limite CO2 (b03=3)	0 (Minimum) 30 (Maximum)	
	Offset limite CO2 (b03=4)	0 (Minimum) 30 (Maximum)	
	Sans influence sur le réglage (b03=5)	--	
P16	Déclenchement de la protection échangeur	0=Non F43	10
		1-15=1-15 °C/seconde	
P17	Vitesse maximale pompe modulante absolue	Fonctionnant à 100 %. Réglable par câble optionnel.	100
P18	Vitesse maximale pompe modulante post-circulation	0-100 % en panne (inopérant). Toujours à 100 % pour ce modèle	60
P19	Température d'extinction solaire (b02=1)	0+20 °C	10
	Température d'extinction solaire (b02=2)	0+20 °C	
	Sans influence sur le réglage (b02=3)	--	
	Sans influence sur le réglage (b02=4)	--	

Sommaire	Description	Plage	DIVAtch D C
P20	Température d'allumage solaire (b02=1)	0-20 °C	10
	Température d'allumage solaire (b02=2)	0-20 °C	
	Sans influence sur le réglage (b02=3)	--	
	Sans influence sur le réglage (b02=4)	--	
P21	Temps d'attente solaire (b02=1)	0-20 secondes	10
	Temps d'attente solaire (b02=2)	0-20 secondes	
	Sans influence sur le réglage (b02=3)	--	
	Sans influence sur le réglage (b02=4)	--	

**Notes :**

1. Les paramètres qui présentent plus d'une description varient leur fonctionnement et/ou plage en fonction de la configuration du paramètre entre parenthèses.
2. Les paramètres qui présentent plus d'une description retournent à la valeur par défaut si le paramètre entre parenthèses est modifié.
3. Il est également possible de modifier le paramètre Puissance Maximum Chauffage en Mode Test.

Pour repasser au Menu Service, appuyer sur la touche reset. Pour quitter le menu Service de la carte, appuyer 20 secondes sur la touche Reset ou attendre 15 minutes pour quitter le menu automatiquement.

« In » = Menu Informations

PAR\_INFO informations sont disponibles.

En appuyant sur les touches Chauffage, il sera possible de parcourir la liste des informations, respectivement dans l'ordre croissant ou décroissant. Pour visualiser leur valeur, il suffit d'appuyer sur les touches Sanitaire.

Sommaire	Description	Plage
t01	Capteur NTC Chauffage (°C)	entre 05 et 125 °C
t02	Capteur NTC Sécurité (°C)	entre 05 et 125 °C
t03	Capteur NTC Eau chaude sanitaire (°C)	entre 05 et 125 °C
t04	Capteur NTC Extérieur (°C)	de -30 à 70°C (les valeurs négatives clignotent) Sans NTC = --
L05	Puissance actuelle brûleur (%)	00%=Minimum, 100%=Maximum
F06	Résistance Flamme actuelle (kOhm)	00-99 kOhm (-- = brûleur éteint)
St07	NON DISPONIBLE POUR CE MODÈLE	
F08	Puisage d'eau sanitaire actuel (l_min/10)	L min/10 au-delà de 99 clignotent 3 chiffres
PP09	Vitesse actuelle pompe modulante (%)	00-100 % en panne pour ce modèle

**Remarques :**

1. Si le capteur est endommagé, la carte affichera des tirets.

Pour repasser au Menu Service, appuyer sur la touche reset. Pour quitter le menu Service de la carte, appuyer 20 secondes sur la touche Reset ou attendre 15 minutes pour quitter le menu automatiquement.

**"Hi" - Menu Historique (Journal)**

La carte est en mesure de mémoriser les 11 dernières anomalies : La donnée Historique H1 : représente l'anomalie la plus récente qui s'est produite ; la donnée Historique H10 : représente l'anomalie la plus ancienne.

Les codes des anomalies sauvegardées sont également affichés sur le menu correspondant de la Chronocommande à distance.

En appuyant les touches chauffage il sera possible de parcourir la liste des anomalies, respectivement dans l'ordre croissant ou décroissant. Pour visualiser leur valeur, il suffit d'appuyer sur les touches Sanitaire.

Pour repasser au Menu Service, appuyer sur la touche reset. Pour quitter le menu Service de la carte, appuyer 20 secondes sur la touche Reset ou attendre 15 minutes pour quitter le menu automatiquement.

**"rE" - Reset Historique (Journal)**

Pour effacer toutes les anomalies stockées dans la mémoire du menu Historique, appuyer pendant 3 secondes sur la touche Eco/comfort : la carte quittera automatiquement le Menu Service, de manière à confirmer l'opération.

Pour quitter le menu Service de la carte, appuyer 20 secondes sur la touche Reset ou attendre 15 minutes pour quitter le menu automatiquement.

**4.2 Mise en service**

**Avant d'allumer la chaudière**

- Vérifier l'étanchéité du circuit de gaz.
- Vérifier le préremplissage correct du vase d'expansion.
- Remplir les tuyauteries et assurer l'évacuation complète de l'air dans la chaudière et les installations.
- Vérifier qu'il n'y ait pas de fuites d'eau dans l'installation ni dans la chaudière.
- Vérifier le raccordement de l'installation électrique et le fonctionnement de la mise à la terre.
- Vérifier que la pression de gaz pour le chauffage est bien celle requise.
- Vérifier qu'il n'y ait pas de liquides ou de matériaux inflammables dans les alentours immédiats de la chaudière



**LE NON-RESPECT DES CONSIGNES CI-DESSUS COMPORTE LE RISQUE D'ASPHYXIE OU D'EMPOISONNEMENT DÙ AUX FUITES DE GAZ OU DE FUMÉE ET LE RISQUE D'INCENDIE OU D'EXPLOSION. RISQUE D'ÉLECTROCUTION OU D'INONDATION DU LOCAL.**

**Vérifications en cours de fonctionnement**

- Mettre l'appareil en marche.
- S'assurer de l'étanchéité des circuits combustible et eau.
- Contrôler l'efficacité de la cheminée et des conduits d'air/fumées pendant le fonctionnement de la chaudière.
- Vérifier que la circulation d'eau entre la chaudière et l'installation s'effectue correctement.
- Vérifier que la vanne à gaz module correctement en chauffage ou en production ECS.
- Vérifier que l'allumage de la chaudière se fasse correctement, en effectuant plusieurs essais d'allumage et d'extinction au moyen du thermostat d'ambiance et de la commande à distance.
- S'assurer que la consommation de combustible indiquée par le compteur correspond à celle qui est indiquée dans le tableau des caractéristiques techniques cap. 5.
- Vérifier qu'en l'absence de besoins thermiques (fonctionnement en chauffage), le brûleur s'allume correctement à l'ouverture d'un robinet d'eau chaude sanitaire. Contrôler que pendant le fonctionnement en chauffage à l'ouverture d'un robinet d'eau chaude, le circulateur de chauffage s'arrête et que l'on ait une production régulière d'eau sanitaire.
- Vérifier la programmation correcte des paramètres et effectuer les personnalisations (courbe de compensation, puissance, température etc...).

**4.3 Entretien**

**AVERTISSEMENTS**



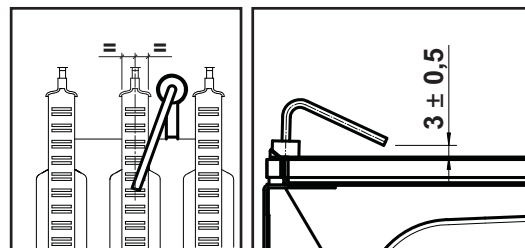
**TOUTES LES OPÉRATIONS D'ENTRETIEN ET DE REMPLACEMENT DOIVENT ÊTRE CONFIEES À DES TECHNICIENS SPÉCIALISÉS ET QUALIFIÉS.**

**Avant d'effectuer une quelconque opération à l'intérieur de la chaudière, la mettre hors tension et fermer le robinet du gaz en amont Le non-respect de cette consigne entraîne le risque d'explosion, d'électrocution, d'asphyxie ou d'empoisonnement.**

**Contrôle périodique**

Pour un fonctionnement correct durable de l'appareil, il est nécessaire de faire effectuer par un professionnel qualifié un contrôle annuel qui prévoit les opérations suivantes :

- Les dispositifs de commande et de sécurité (vanne à gaz, débitmètre, thermostats, etc...) doivent fonctionner correctement.
- Le circuit d'évacuation des fumées doit être parfaitement efficace. (Chaudière à chambre de combustion étanche : ventilateur, pressostat, etc. - S'assurer de l'étanchéité de la chambre : joints, serre-câbles, etc.) (Chaudière chambre ouverte : antirefouleur, thermostat des fumées, etc.)
- Les conduits et le terminal air-fumées doivent être libres de tout obstacle et ne pas présenter de fuites
- Le brûleur et l'échangeur doivent être en parfait état de propreté et détartrés. Pour le nettoyage ne pas utiliser de produits chimiques ni de brosses en acier.
- L'électrode doit être libre de toute incrustation et positionnée correctement.



**fig. 14 - Positionnement de l'électrode**

- Les installations de gaz et d'eau doivent être parfaitement étanches.
- La pression de l'eau dans l'installation à froid doit être d'environ 1 bar ; si ce n'est pas le cas, ramener la pression à cette valeur.
- La pompe de circulation ne doit pas être bloquée.
- Le vase d'expansion doit être gonflé.
- La charge et la pression de gaz doivent correspondre aux valeurs indiquées dans les tableaux correspondants.



## 4.4 Dépannage

### Diagnostic

La chaudière est équipée d'un dispositif d'autodiagnostic avancé. En cas d'anomalies de fonctionnement de la chaudière, l'affichage clignote avec le symbole d'anomalie (rep. 11 - fig. 1) indiquant le code de l'anomalie.

Il y a des anomalies qui provoquent des blocages permanents (indiqués par la lettre « A ») : pour rétablir le fonctionnement, il suffit d'appuyer sur la touche RESET (rep. 6 - fig. 1) pendant 1 seconde ou sur la fonction RESET de la chronocommande à distance (option) si installée. À ce stade, l'afficheur visualisera « d4 » pendant environ **30 secondes** ou bien « d5 » pendant environ **5 minutes**, lequel indique le temps d'attente au terme duquel la chaudière reprendra le fonctionnement normal. Si le fonctionnement ne reprend pas, il faudra éliminer l'inconvénient.

Les autres anomalies qui causent un blocage momentané de la chaudière sont indiquées par la lettre « F » ; ces anomalies sont automatiquement éliminées dès que la valeur se trouve de nouveau dans la plage de fonctionnement normal de la chaudière.

### Liste des anomalies

Tableau 2

Code anomalie	Anomalie	Causes probables	Solution
A01	Le brûleur ne s'allume pas	Manque d'alimentation de gaz	Contrôler l'arrivée régulière du gaz à la chaudière et que l'air est éliminé des tuyaux
		Anomalie électrode d'allumage/de détection	Contrôler que les électrodes soient correctement câblées, positionnées et non incrustées
		Vanne à gaz défectueuse	Contrôler et remplacer si nécessaire la vanne à gaz
		Câblage de la soupape de gaz interrompu	Vérifier le câblage
		Puissance d'allumage trop basse	Régler la puissance d'allumage
A02	Présence de la flamme brûleur éteint	Anomalie électrode Anomalie carte	Vérifier le câblage de l'électrode d'ionisation Vérifier la carte
A03	Déclenchement de la protection de surtempérature	Capteur chauffage endommagé	Contrôler le positionnement et le fonctionnement corrects du capteur de température chauffage
		Absence de circulation d'eau dans l'installation	Vérifier le circulateur
		Présence d'air dans l'installation	Purger l'installation
F04	Déclenchement du thermostat sécurité fumées (après son déclenchement, le fonctionnement de la chaudière est désactivé pendant 20 minutes)	Contact de thermostat sécurité fumées ouvert	Vérifier le thermostat
		Câblage interrompu	Vérifier le câblage
		Conduit de cheminée non correctement dimensionné ou obstrué	Vérifier le conduit de fumée
F05	Anomalie paramètrescarte	Mauvaisparamétrage de la carte	Vérifier et modifier éventuellement le paramètre carte
A06	Absence de flamme après la phase d'allumage	Basse pression dans l'installation d'alimentation du gaz	Vérifier la pression du gaz
		Réglage de la pression minimale brûleur	Vérifier les pressions
F07	Anomalie paramètrescarte	Mauvaisparamétrage de la carte	Vérifier et modifier éventuellement le paramètre carte
A09	Anomalie vanne à gaz	Câblage interrompu	Vérifier le câblage
		Vanne à gaz défectueuse	Vérifier et remplacer éventuellement la vanne à gaz
F10	Anomalie capteur départ 1	Capteur endommagé	Contrôler le câblage ou remplacer le capteur
		Câblage en court-circuit	
		Câblage interrompu	
F11	Anomalie capteur d'eau chaude sanitaire	Capteur endommagé	Contrôler le câblage ou remplacer le capteur
		Câblage en court-circuit	
		Câblage interrompu	
F14	Anomalie capteur départ 2	Capteur endommagé	Contrôler le câblage ou remplacer le capteur
		Câblage en court-circuit	
		Câblage interrompu	
A16	Anomalie vanne à gaz	Câblage interrompu	Vérifier le câblage
		Vanne à gaz défectueuse	Vérifier et remplacer éventuellement la vanne à gaz
F20	Anomalie paramètrescarte	Mauvaisparamétrage de la carte	Vérifier et modifier éventuellement le paramètre carte
A21	Anomalie paramètrescarte	Mauvaisparamétrage de la carte	Vérifier et modifier éventuellement le paramètre carte
A23	Anomalie paramètrescarte	Mauvaisparamétrage de la carte	Vérifier et modifier éventuellement le paramètre carte

Code anomalie	Anomalie	Causes probables	Solution
A24	Anomalie paramètrescarte	Mauvaisparamétrage de la carte	Vérifier et modifier éventuellement le paramètre carte
F34	Tension d'alimentation inférieure à 170 V.	Problèmes au réseau électrique	Vérifier l'installation électrique
F35	Fréquence de réseau anormale	Problèmes au réseau électrique	Vérifier l'installation électrique
F37	Pression eau installation incorrecte	Pression trop basse	Remplir l'installation
		Pressostat non relié ou endommagé	Vérifier le capteur
F39	Anomalie sonde extérieure	Capteur endommagé ou court-circuit câblage	Contrôler le câblage ou remplacer le capteur
		Sonde débranchée après l'activation de la fonction "température évolutive"	Rebrancher la sonde extérieure ou désactiver la fonction "température évolutive"
A41	Positionnement du capteur	Capteur départ débranché de la tuyauterie	Contrôler le positionnement et le fonctionnement corrects du capteur
F42	Anomalie capteur de température chauffage	Capteur endommagé	Remplacer le capteur
F43	Déclenchement de la protection échangeur.	Absence de circulation H <sub>2</sub> O dans l'installation	Vérifier le circulateur
		Présence d'air dans l'installation	Purger l'installation
F50	Anomalie vanne à gaz	Câblage opérateur modulant interrompu	Vérifier le câblage
		Vanne à gaz défectueuse	Vérifier et remplacer éventuellement la vanne à gaz

Tableau 3- Légende, fig. 20, fig. 21 et fig. 22

8 Sortie eau sanitaire Ø 1/2	56 Vase d'expansion
9 Entrée eau sanitaire Ø 1/2	74 Robinet de remplissage installation
10 Départ installation - Ø 3/4"	78 Antirefouleur
11 Retour installation - Ø 3/4"	81 Électrode d'allumage et de détection
14 Soupape de sécurité	95 Bypass
22 Brûleur	114 Pressostat eau
27 Échangeur en cuivre pour chauffage et ECS	126 Thermostat de fumées
32 Circulateur circuit chauffage	136 Débitmètre
36 Purgeur automatique	137 Capteur de pression
37 Filtre entrée eau froide	194 Échangeur eau chaude sanitaire
42 Capteur de température ECS	241 By-pass automatique
44 Vanne à gaz	278 Capteur double (sécurité + chauffage)

5. CARACTÉRISTIQUES ET DONNÉES TECHNIQUES

5.1 Dimensions et raccords

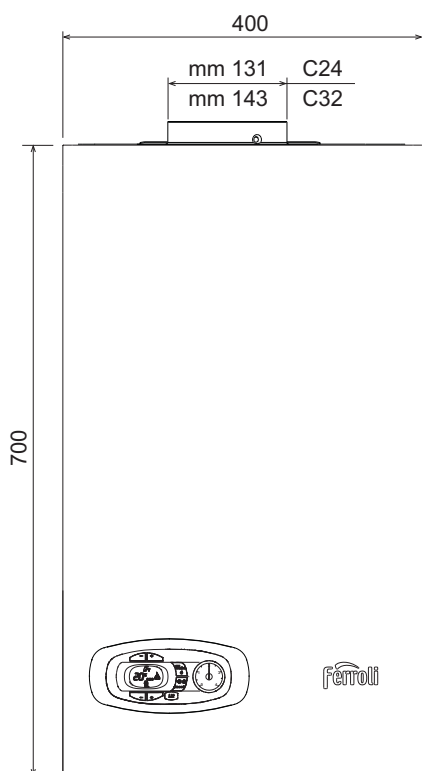


fig. 15- Vue de face



fig. 16- Vue latérale

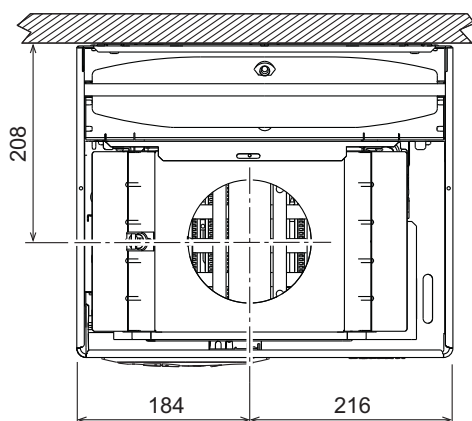


fig. 17- Vue de dessus - DIVAtech D C24

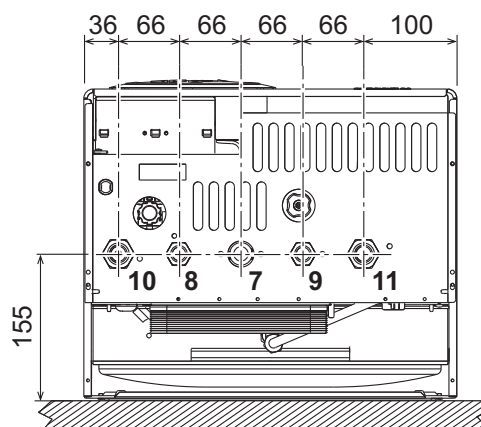


fig. 18- Vue de dessous - DIVAtech D C24 et C32

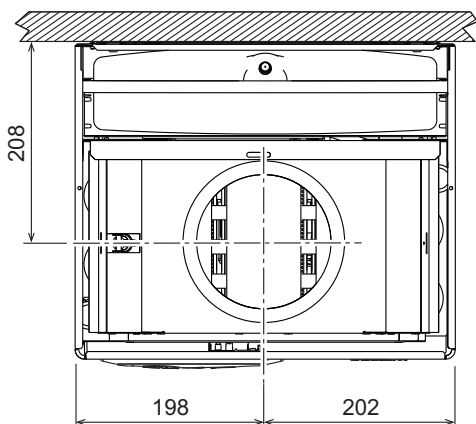


fig. 19- Vue de dessus - DIVAtech D C32

- 7 Arrivée gaz - Ø 3/4"
- 8 Sortie eau sanitaire - Ø 1/2"
- 9 Entrée eau sanitaire - Ø 1/2"
- 10 Départ installation - Ø 3/4"
- 11 Retour installation - Ø 3/4"

## 5.2 Vue générale et composants principaux

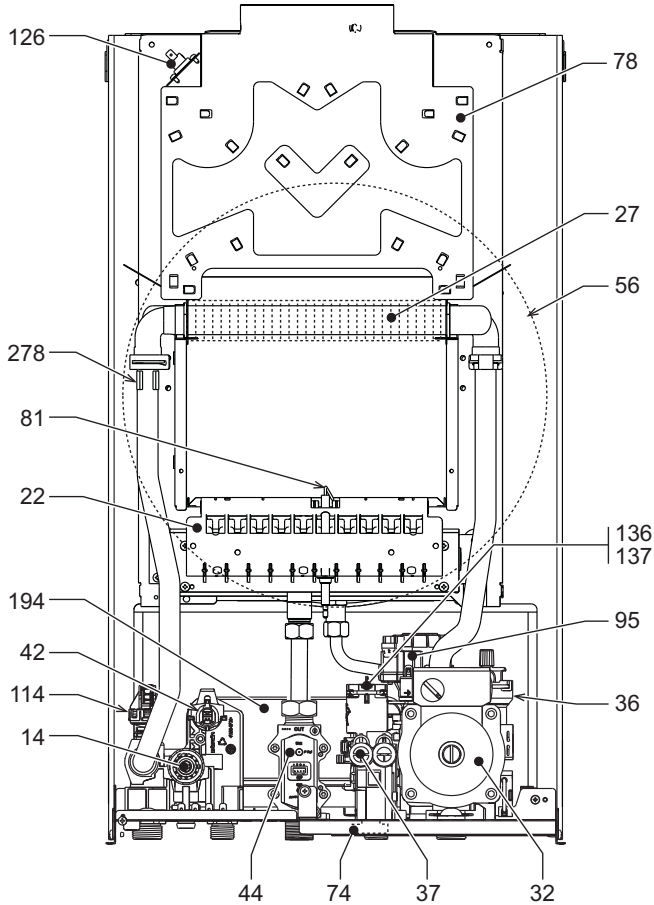


fig. 20- Vue générale - DIVAtch D C24

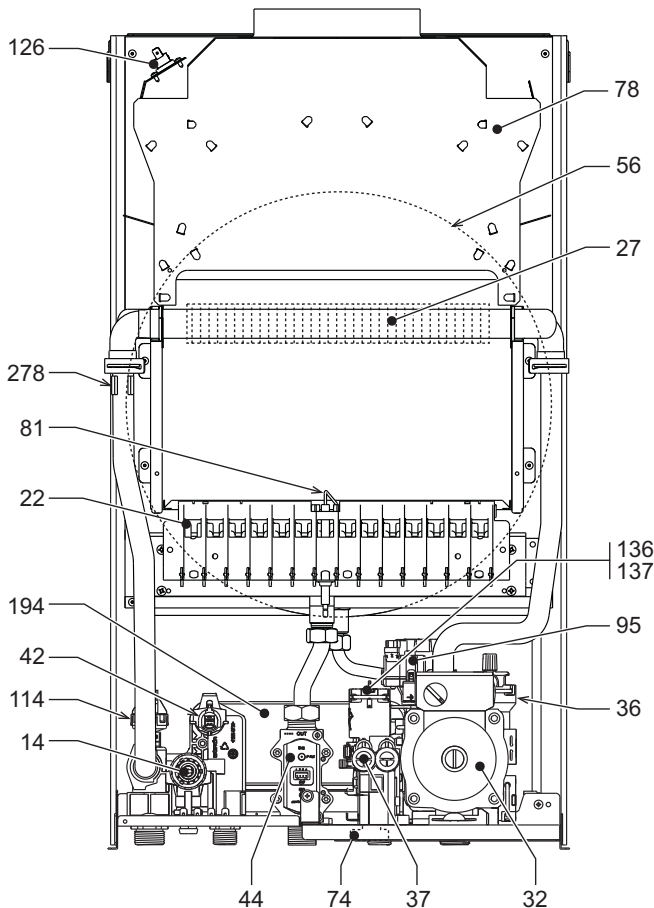


fig. 21- Vue générale - DIVAtch D C32

## 5.3 - Circuit hydraulique

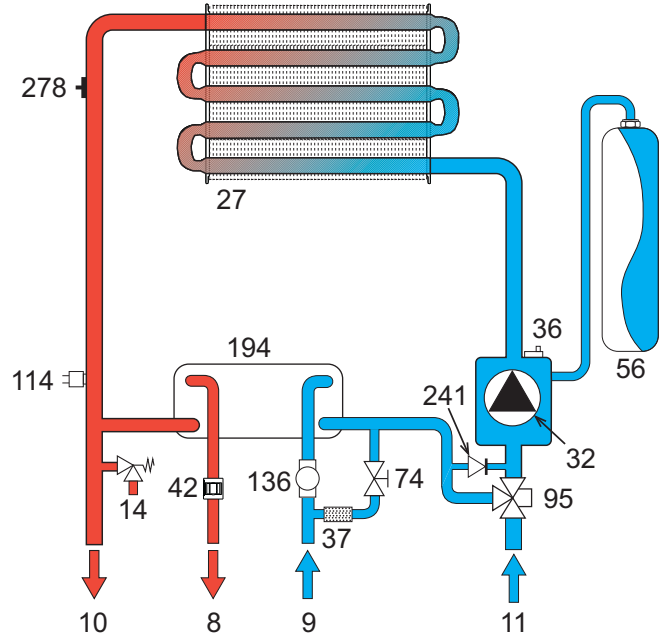


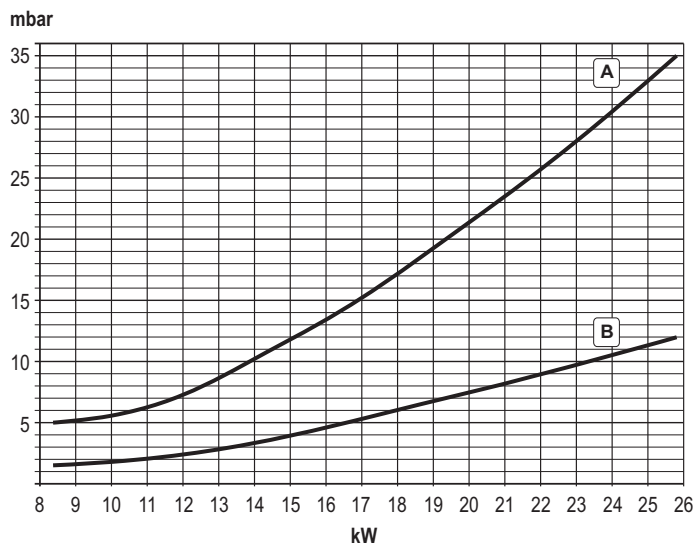
fig. 22- Circuit chauffage

## 5.4 Tableau des caractéristiques techniques

Caractéristique	Unité	DIVAtch D C24	DIVAtch D C32	
Puissance thermique maxi	kW	25.8	34.4	(Q)
Puissance thermique mini	kW	8.3	11.5	(Q)
Puissance thermique maxi chauffage	kW	23.5	31.3	(P)
Puissance thermique mini chauffage	kW	7.0	9.7	(P)
Puissance thermique maxi sanitaire	kW	23.5	31.3	
Puissance thermique mini sanitaire	kW	7.0	9.7	
Rendement Pmaxi (80-60 °C)	%	91.0	91.0	
Rendement 30 %	%	89.6	89.8	
Classe d'émission NOx	-	3 (<150 mg/kWh)		(NOx)
Gicleurs brûleur G20	nbre x Ø	11 x 1.35	15 x 1.35	
Pression d'alimentation gaz G20	mbar	20.0	20.0	
Pression gaz maxi au brûleur (G20)	mbar	12.0	12.0	
Pression gaz mini au brûleur (G20)	mbar	1.5	1.5	
Débit gaz maxi G20	m³/h	2.73	3.64	
Débit gaz mini G20	m³/h	0.88	1.22	
Gicleurs brûleur G31	nbre x Ø	11 x 0.79	15 x 0.79	
Pression d'alimentation gaz G31	mbar	37	37	
Pression gaz maxi au brûleur (G31)	mbar	35.0	35.0	
Pression gaz mini au brûleur (G31)	mbar	5.0	5.0	
Débit gaz maxi G31	kg/h	2.00	2.69	
Débit gaz mini G31	kg/h	0.65	0.90	
Pression maxi d'utilisation chauffage	bar	3	3	(PMS)
Pression mini d'utilisation chauffage	bar	0.8	0.8	
Température maxi chauffage	°C	90	90	(tmax)
Capacité eau circuit chauffage	litres	1.0	1.2	
Capacité du vase d'expansion chauffage	litres	8	10	
Pression prégonflage vase d'expansion chauffage	bar	1	1	
Pression maxi d'utilisation sanitaire	bar	9	9	(PMW)
Pression mini d'utilisation sanitaire	bar	0.25	0.25	
Débit sanitaire à ΔT 25 °C	l/min	13.4	17.9	
Débit sanitaire à ΔT 30 °C	l/min	11.2	14.9	(D)
Indice de protection	IP	X5D	X5D	
Tension d'alimentation	V/Hz	230V/50Hz		
Puissance électrique consommée	W	80	90	
Puissance électrique consommée ECS	W	80	90	
Poids à vide	kg	27	30	
Type d'appareil		B <sub>11BS</sub>		

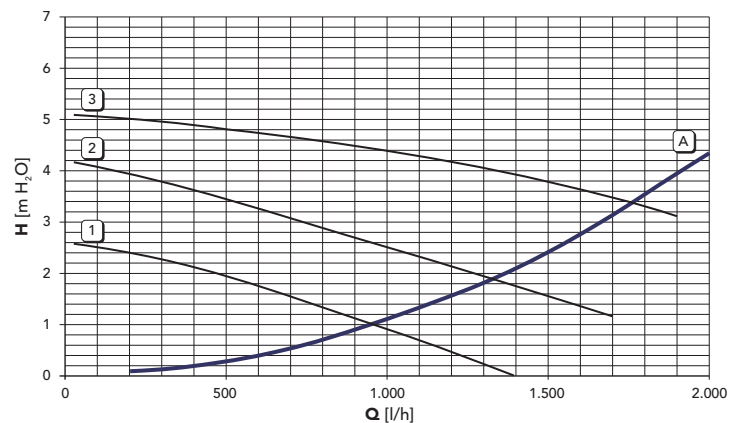
5.5 Diagrammes

Diagrammes pression - puissance DIVAtch D C24



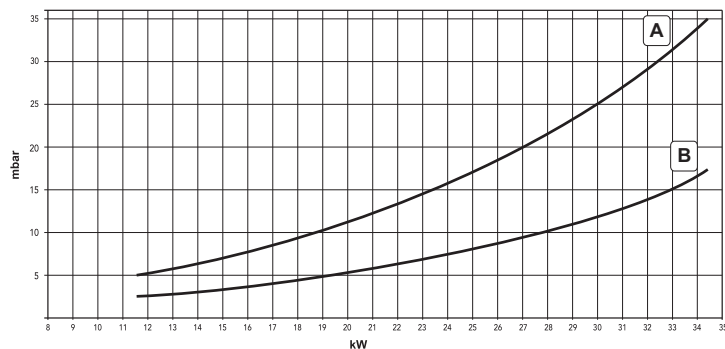
A = GPL - B = MÉTHANE

Pertes de charge / pression circulateurs DIVAtch D C24



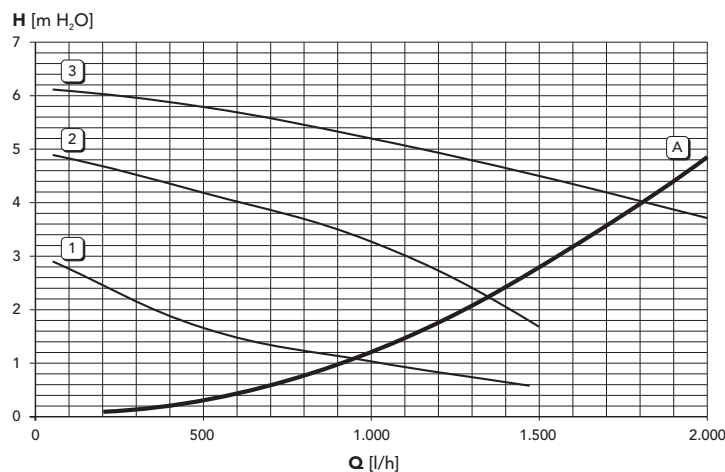
A = Pertes de charge chaudière - 1, 2 et 3 = Vitesse circulateur

Diagrammes pression - puissance DIVAtch D C32



A = GPL - B = MÉTHANE

Pertes de charge / pression circulateurs DIVAtch D C32



A = Pertes de charge chaudière - 1, 2 et 3 = Vitesse circulateur

## 5.6 Schéma électrique

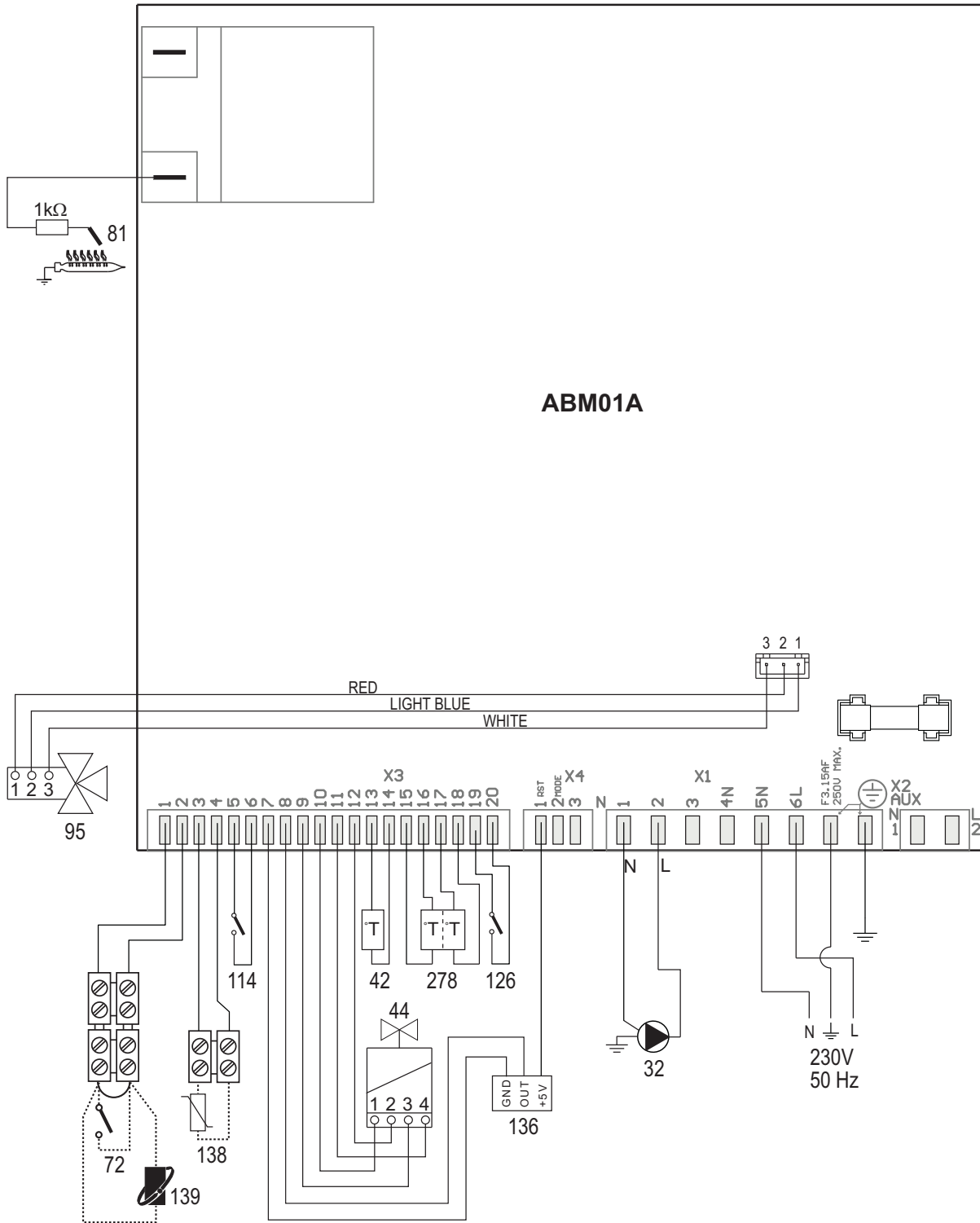


fig. 23- Schéma électrique

**Attention :** Avant de brancher le thermostat d'ambiance ou la chronocommande à distance, défaire le pontage sur le bornier.

- 32 Circulateur circuit chauffage
- 42 Capteur température sanitaire
- 44 Vanne à gaz
- 72 Thermostat d'ambiance (option)
- 81 Électrode d'allumage et de détection
- 95 Bypass
- 114 Pressostat eau
- 126 Thermostat de fumée
- 136 Débitmètre
- 138 Sonde extérieure (option)
- 139 Chronocommande à distance (option)
- 278 Capteur double (sécurité + chauffage)





- Внимательно прочитайте предупреждения, содержащиеся в настоящем руководстве
- После установки котла проинформируйте пользователя о принципе работы аппарата и передайте ему настоящее руководство; оно является существенной и неотъемлемой частью изделия и должно быть бережно сохранено для использования в будущем
- Установка и техническое обслуживание должны осуществляться квалифицированными специалистами в соответствии с действующими нормативами, согласно инструкциям изготовителя и прошедшим курс обучения в специализированном центре. Запрещается выполнять какие-либо операции с опломбированными регулировочными устройствами. Запрещается выполнять какие-либо работы на опломбированных регулировочных устройствах
- Неправильная установка или ненадлежащее техническое обслуживание могут быть причиной вреда для людей, животных и имущества. Изготовитель не несет никакой ответственности за ущерб, связанный с ошибочными установкой и эксплуатацией аппарата, а также с несоблюдением предоставленных им инструкций
- Перед выполнением любой операции очистки или технического обслуживания отсоедините прибор от сетей питания с помощью главного выключателя и/или предусмотренных для этой цели отсечных устройств
- В случае неисправной и/или ненормальной работы агрегата, выключите его и воздерживайтесь от любой попытки самостоятельно отремонтировать или устранить причину неисправности. В таких случаях обращайтесь исключительно квалифицированному персоналу. Возможные операции по ремонту-замене комплектующих должны выполняться только квалифицированными специалистами с использованием исключительно оригинальных запчастей. Несоблюдение всего вышеуказанного может нарушить безопасность работы агрегата
- Настоящий агрегат допускается использовать только по тому назначению, для которого он спроектирован и изготовлен. Любое другое его использование следует считать ненадлежащим и, следовательно, опасным
- Упаковочные материалы являются источником потенциальной опасности и не должны быть оставлены в местах, доступных детям.
- Не разрешается использование агрегата лицами (в том числе, детьми) с ограниченными физическими, сенсорными или умственными возможностями или лицами без надлежащего опыта и знаний, если они не находятся под непрерывным надзором или проинструктированы насчет правил безопасного использования агрегата.
- Приведенные в настоящем руководстве изображения дают упрощенное представление изделия которое может несущественно отличаться от готового изделия
- УКАЗАНИЯ ПО УТИЛИЗАЦИИ ОБОРУДОВАНИЯ**  
Утилизация оборудования должна производиться в специализированных предприятиях согласно действующему законодательству.
- УКАЗАНИЯ ПО ХРАНЕНИЮ ОБОРУДОВАНИЯ**  
Для обеспечения правильных условий хранения, строго придерживаться указаниям в руководстве по эксплуатации и маркировке на упаковке.  
Оборудование должно храниться в закрытом и сухом помещении, в отсутствие токопроводящей пыли и паров химически активных веществ, разрушающих изоляцию токопроводов. Срок хранения не должен превышать 24 месяца. По истечении 24 месяцев необходима проверка целостности оборудования.
- РЕСУРС РАБОТЫ И СРОК СЛУЖБЫ**  
Срок службы зависит от условий эксплуатации, установки и технического обслуживания.  
Установка оборудования должна производиться в соответствии с действующим законодательством, а изнашивающиеся детали должны быть своевременно заменены.  
Решение о прекращении эксплуатации, списании и утилизации принимает Владелец исходя из фактического состояния оборудования и затрат на ремонт.  
Срок службы - 10 лет.
- Заводская табличка находится на задней стороне котла.

	Данный символ означает "Осторожно" и сопровождает все указания, касающиеся безопасности. Строго придерживайтесь таких указаний во избежание опасности вреда для здоровья людей и животных и материального ущерба.
	Данный символ обращает внимание на важное указание или предупреждение.

**Ferrolі**

Manufacturer / Производитель: **FERROLI S.p.A.**  
 Manufacturer address: **37047 SAN BONIFACIO (VR)**  
 Адрес производителя: **via Ritonda 78/A**  
 Model/Модель: **DIVAtech D C24**  
 Code / Код: **0DAC4YYA**  
 Котел отопительный газовый  
 кат. II 2НЗВ/Р 2Н - G20 20 мбар; RU

	макс	мин			
Qnw (Hi)	23,5	7,0	kBt	PMS 3 бар	PMW 9 бар
Qn (Hi)	25,8	8,3	kBt	tmax 90 °C	D 13,4 л/мин
Pn 80°-60°	23,5	7,0	kBt	H <sub>2</sub> O 1,0 л	
Pn 50°-30°	-	-	kBt	Класс NOx 3	

~230B/ 50Гц      80Bт      IPXED

Сделано в Италии

Serial number  
Серийный номер:

Barcode EAN13:  
Штрих-код EAN13:

Production date: **See the manual**  
Дата производства: **Смотри инструкцию**

Данный прибор должен устанавливаться в соответствии с действующей инструкцией по монтажу и работать только в помещении с достаточной вентиляцией. Изучите инструкцию, прежде чем устанавливать прибор и вводить его в эксплуатацию. Нарушение требований инструкций по монтажу, технического обслуживания и правил эксплуатации прибора может привести к опасности возникновения пожара, взрыва, отравления угарным газом, поражения электрическим током и термического воздействия.

EAC

<b>Qnw (Hi)</b>	Макс. теплопроизводительность системы ГВС (Hi)
<b>Qn (Hi)</b>	Макс. теплопроизводительность системы отопления (Hi)
<b>Pn 80-60°C</b>	Макс. теплопроизводительность системы отопления (80/60°C)
<b>Pn 50-30°C</b>	Макс. теплопроизводительность системы отопления (50/30°C)
<b>PMS</b>	Макс. рабочее давление в системе отопления
<b>tmax</b>	Макс. температура в системе отопления
<b>H<sub>2</sub>O</b>	Объем воды в системе ГВС
<b>NOx</b>	Класс по выбросам NOx
<b>PMW</b>	Макс. рабочее давление в системе ГВС
<b>D</b>	Расход ГВС при Δt 30°C

<b>Serial Number</b>	 1820G80031	18 = Год выпуска 20 = Производственная неделя G8 = Линия сборки 0031 = Прогрессивное число
----------------------	----------------	---

<b>Сертификат соответствия</b>	
<b>Декларация о соответствии</b>	

## RU

### 1. УКАЗАНИИ ОБЩЕГО ХАРАКТЕРА

- Внимательно прочитайте предупреждения, содержащиеся в настоящем руководстве.
- После установки котла проинформируйте пользователя о принципе работы агрегата и передайте ему настоящее руководство; оно является существенной и неотъемлемой частью изделия и должно бережно храниться для дальнейшего использования.
- Установка и техническое обслуживание котла должны производиться квалифицированным персоналом при соблюдении действующих норм и в соответствии с указаниями изготовителя. Запрещается выполнять какие-либо работы на опломбированных регулировочных устройствах.
- Неправильная установка или ненадлежащее техническое обслуживание могут быть причиной вреда для людей, животных и имущества. Изготовитель не несет никакой ответственности за ущерб, связанный с ошибочными установкой и эксплуатацией агрегата, а также с несоблюдением предоставленных им инструкций.
- Перед выполнением любой операции очистки или технического обслуживания отсоедините прибор от сетей питания с помощью главного выключателя и/или предусмотренных для этой цели отсечных устройств.
- В случае неисправной и/или ненормальной работы агрегата выключите его и воздерживайтесь от любой попытки самостоятельно отремонтировать или устранить причину неисправности. В таких случаях обращайтесь исключительно квалифицированному персоналу. Возможные операции по ремонту или замене комплектующих должны выполняться только квалифицированными специалистами с использованием исключительно оригинальных запчастей. Несоблюдение вышеуказанных предписаний может нарушить безопасность агрегата.
- Настоящий агрегат допускается использовать только по тому назначению, для которого он спроектирован и изготовлен. Любое другое его использование следует считать ненадлежащим и, следовательно, опасным.
- Упаковочные материалы являются источником потенциальной опасности и не должны оставаться в местах, доступных детям.
- Не разрешается использование агрегата лицами (в том числе, детьми) с ограниченными физическими, сенсорными или умственными возможностями или лицами без надлежащего опыта и знаний, если они не находятся под непрерывным надзором или проинструктированы насчет правил безопасного использования агрегата.
- Утилизация агрегата и его принадлежностей должна выполняться надлежащим образом в соответствии с действующим законодательством.
- Приведенные в настоящем руководстве изображения дают упрощенное представление изделия. На этих изображениях могут присутствовать некоторые несущественные отличия от готового изделия.

**CE** МАРКИРОВКА CE ПОДТВЕРЖДАЕТ, ЧТО ПРОДУКЦИЯ СООТВЕТСТВУЕТ ОСНОВНЫМ ТРЕБОВАНИЯМ СООТВЕТСТВУЮЩИХ ДЕЙСТВУЮЩИХ ДИРЕКТИВ. ДЕКЛАРАЦИЯ О СООТВЕТСТВИИ МОЖЕТ БЫТЬ ЗАТРЕБОВАНА У ПРОИЗВОДИТЕЛЯ.

### 2. ИНСТРУКЦИИ ПО ЭКСПЛУАТАЦИИ

#### 2.1 Предисловие

Уважаемый покупатель!

**DIVAtech D C** представляет собой высокоэффективный тепловой генератор для отопления и ГВС, работающий на природном или сжиженном нефтяном газе. Котел оснащен атмосферной горелкой с электронной системой розжига и микропроцессорной системой управления.

#### 2.2 Панель управления

Панель

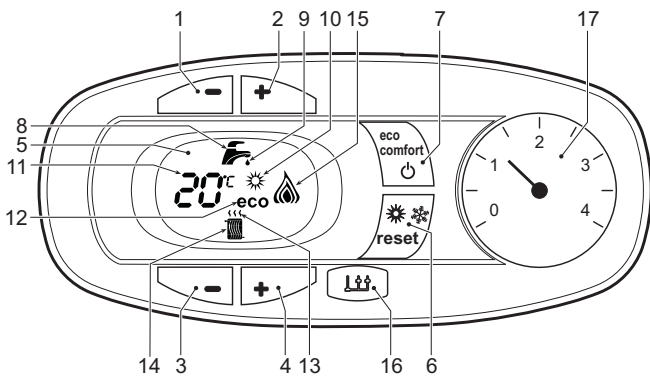


рис. 1 - Панель управления

Условные обозначения на панели управления рис. 1

- |    |  |
|----|--|
| 1  | Кнопка уменьшения задаваемой температуры в системе ГВС                         |
| 2  | Кнопка увеличения задаваемой температуры в системе ГВС                         |
| 3  | Кнопка уменьшения задаваемой температуры в системе отопления                   |
| 4  | Кнопка увеличения задаваемой температуры в системе отопления                   |
| 5  | Дисплей  |
| 6  | Кнопка "Сброс" - Выбор режима "Лето"/"Зима" - Меню "Плавающая температура"     |
| 7  | Кнопка выбора режима "Экономичный"/"Комфорт" - "Вкл/Выкл" котла                |
| 8  | Символ ГВС   |
| 9  | Символ работы агрегата в режиме ГВС  |
| 10 | Индикация "Летний режим"   |
| 11 | Индикация многофункционального режима  |
| 12 | Символ режима "Есо" (Экономичный)  |
| 13 | Индикация работы агрегата в режиме отопления                                   |
| 14 | Символ отопления   |
| 15 | Индикация зажженной горелки и текущей мощности (мигает при сбоях со сгоранием) |
| 16 | Подключение к средствам технического обслуживания                              |
| 17 | Гидрометр  |

#### Индикация во время работы котла

##### Режим отопления

О поступлении команды на включение отопления (от комнатного термостата или от пульта ДУ с таймером) предупреждает мигание индикатора теплого воздуха над символом батареи на дисплее.

На дисплее (поз. 11 - рис. 1) высвечивается текущая температура воды, подаваемой в систему отопления, а во время ожидания отопления - символ "d2".

##### Режим горячего водоснабжения

О поступлении команды на включение системы ГВС, генерируемой при заборе горячей воды, предупреждает мигание соответствующего индикатора под символом крана на дисплее.

На дисплее (поз. 11 - рис. 1) высвечивается выходная температура воды в контуре ГВС, а во время ожидания выдачи воды ГВС - символ "d1".

##### Режим Comfort

О поступлении команды на переключение в режим (восстановление внутренней температуры котла) предупреждает мигание индикатора, расположенного под краном. На дисплее (поз. 11 - рис. 1) высвечивается температура воды в котле.

##### Неисправность

В случае неисправности (см. сар. 4.4) на дисплее отображается код неисправности (поз. 11 - рис. 1), а во время предохранительного ожидания - надписи "d3", "d4" и "d5".

### 2.3 Включение и выключение

#### Подключение к сети электропитания

- В течение 5 секунд на дисплее будет высвечиваться версия программного обеспечения, установленного в электронном блоке.
- Откройте газовый вентиль, установленный перед котлом.
- Теперь котел готов к автоматическому включению при каждом заборе горячей воды или при поступлении сигнала на включение системы отопления (от комнатного термостата или устройства ДУ с таймером).

#### Выключение и включение котла

Нажмите на кнопку **Вкл./Выкл.** (поз. 7 - рис. 1) на 5 секунд.



рис. 2 - Выключение котла

Когда котел выключен, на электронную плату продолжает подаваться электрическое питание. При этом не происходит нагрева воды для систем отопления и ГВС. Остается активной противообледенительная система. Для повторного включения котла снова нажмите клавишу **Вкл./Выкл.** (поз. 7 рис. 1) на 5 секунд.

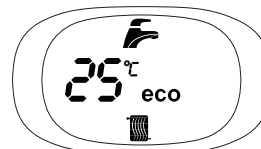


рис. 3

Этим обеспечивается немедленная готовность котла к работе каждый раз при потреблении горячей воды или при запросе на отопление (подаваемом комнатным термостатом или устройством дистанционного управления с таймером).



При отключении котла от системы электропитания и/или газовой магистрали противообледенительная система не работает. Во время длительного неиспользования котла в зимний период, во избежание ущерба от возможного замерзания рекомендуется слить всю воду из котла, как из контура отопления, так и из контура ГВС; или же слить только воду из контура ГВС и добавить антифриз в систему отопления в соответствии с указаниями, приведенными в sez. 3.3.

#### 2.4 Регулировки

##### Переключение режимов "Лето"/"Зима"

Нажмите кнопку **"Лето"/"Зима"** (поз. 6 - рис. 1) на 2 секунды.

На дисплее высветится символ "Лето" (поз. 10 - рис. 1): При этом котел будет вырабатывать только воду для ГВС. Остается активной система антизамерзания.

Для выключения режима "Лето" вновь нажмите кнопку **"Лето"/"Зима"** (поз. 6 - рис. 1) на 2 секунды

##### Регулировка температуры воды в системе отопления

Используйте кнопки системы отопления (поз. 3 и 4 - рис. 1), чтобы изменять температуру в диапазоне между мин. 30°C и макс. 80°C; тем не менее, не рекомендуется эксплуатировать котел при температурах ниже 45°C.

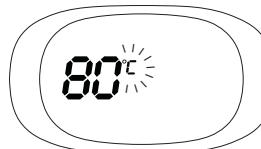


рис. 4

**Регулировка температуры в системе горячего водоснабжения (ГВС)**

Используйте кнопки системы ГВС (поз. 1 и 2 - рис. 1) для изменения температуры от минимальной 40°C до максимальной 55°C.

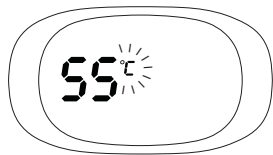


рис. 5

**Регулировка температуры воздуха в помещении (с помощью опционного термостата температуры в помещении)**

Задайте с помощью термостата температуры воздуха в помещении нужную температуру внутри помещения. При отсутствии термостата температуры воздуха в помещении котел обеспечивает поддержание в системе отопления заданной температуры воды.

**Регулировка температуры воздуха в помещении (с помощью опционного устройства ДУ с таймером)**

Задайте с помощью устройства ДУ с таймером нужную температуру внутри помещения. Котел будет поддерживать температуру воды в системе, необходимую для обеспечения в помещении заданной температуры воздуха. В том, что касается работы котла с устройством ДУ с таймером, см. соответствующую инструкцию на это устройство.

**Выбор режимов ECO/COMFORT**

Котел оборудован специальной функцией, обеспечивающей высокую скорость подачи воды в системе ГВС и максимальный комфорт для пользователя. Когда это устройство задействовано (режим COMFORT), оно поддерживает температуру находящейся в котле воды, обеспечивая тем самым немедленное поступление горячей воды при открытии крана и устраняя необходимость ждать этого некоторое время.

Данное устройство может быть отключено пользователем (режим ECO), нажав клавишу **eco/comfort** (поз. 7 - рис. 1). При работе в режиме ECO на дисплее высвечивается соответствующий символ (поз. 12 - рис. 1). Для включения режима "КОМФОРТ" снова нажмите кнопку "Экономичный"/"Комфорт" (поз. 7 - рис. 1).

**Плавающая температура**

При установке внешнего датчика (опция) регулировка котла осуществляется в режиме "плавающей температуры". В этом режиме температура воды, подаваемой в систему отопления, регулируется в зависимости от внешних климатических условий, что позволяет обеспечивать круглогодичный максимальный комфорт и экономии энергии. Так, при повышении внешней температуры понижается температура подачи воды в систему отопления согласно некоторой определенной компенсационной кривой.

Согласно регулировкам по плавающей температуре, температура, заданная кнопками системы отопления (поз. 3 - рис. 1) становится максимальной температурой подачи в систему. Рекомендуется устанавливать ее на максимальную величину, чтобы позволить системе выполнять регулировку во всем полезном рабочем диапазоне.

Регулировки котла должны выполняться квалифицированными специалистами при его установке. В дальнейшем пользователь может сам изменить их для обеспечения максимального комфорта.

**Компенсационная кривая и смещение кривых**

Нажмите на кнопку сброса (поз. 6 - рис. 1) на 5 секунд открывается доступ к меню «Плавающая температура» и отображается мигающая надпись «CU».

Используйте кнопки системы ГВС (поз. 1 - рис. 1) Выберите нужную характеристику от 1 до 10 (рис. 6) При установке кривой на 0 режим "плавающей температуры" отключается.

Нажмите на кнопки системы отопления (поз. 3 - рис. 1) осуществляется доступ к параллельному перемещению кривых, при этом на дисплее мигает символ "OF" Используйте кнопки системы ГВС (поз. 1 - рис. 1) для параллельного изменения кривых в соответствии с характеристикой (рис. 7)

При повторном нажатии на кнопку сброса (поз. 6 - рис. 1) в течение 5 секунд осуществляется выход из меню "Плавающая температура"

Если температура в помещении оказывается ниже желаемой, рекомендуется выбрать характеристику более высокого порядка и наоборот Действуйте, увеличивая или уменьшая на одну единицу порядок кривой и оценивая, каким образом это скажется на величине температуры в помещении.

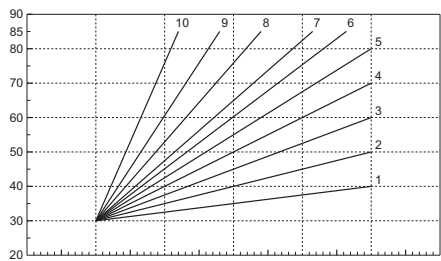


рис. 6 - Компенсационные характеристики

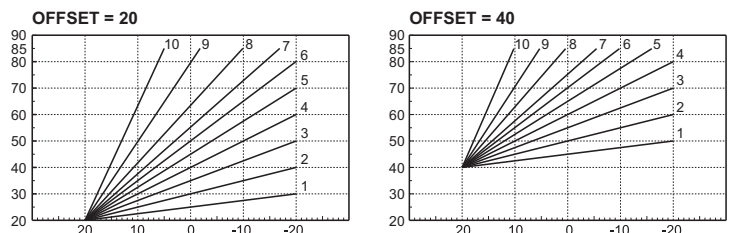


рис. 7 - Пример параллельного смещения компенсационных характеристик

**Регулирование с дистанционного пульта управления с таймером**

В случае подключения к котлу пульта ДУ с таймером (опция) вышеописанные регулировки должны выполняться в соответствии с таблица 1.

Таблица. 1

Регулировка температуры воды в системе отопления	Регулировку можно осуществлять как через меню пульта ДУ с таймером, так и с панели управления котла.
Регулировка температуры в системе горячего водоснабжения (ГВС)	Регулировку можно осуществлять как через меню пульта ДУ с таймером, так и с панели управления котла.
Переключение режимов "Лето"/"Зима"	Режим "Лето" обладает приоритетом над командой на включение отопления, которая может поступить от пульта ДУ с таймером.
Выбор режимов "ЭКОНОМИЧНЫЙ"/"КОМФОРТ"	При отключении режима ГВС с пульта ДУ котел устанавливается в режим "Экономичный" (ECO). В этих условиях кнопка "Экономичный"/"Комфорт" (поз. 7 - рис. 1) на панели управления котла заблокирована. При включении режима ГВС с пульта ДУ с таймером котел устанавливается в режим "Комфорт". В этих условиях с помощью кнопки "Экономичный"/"Комфорт" (поз. 7 - рис. 1) на панели управления котла можно выбрать любой из этих двух режимов.
Плавающая температура	Как пульт ДУ с таймером, так и электронный блок котла осуществляют управление котлом в режиме "плавающей температуры": из двух устройств приоритет имеет электронный блок котла.

**Регулировка давления воды в системе**

Давление напора при заполнении холодного контура, считываемое гидрометром котла (поз. 2 - рис. 8), должно составлять приблизительно 1,0 бар. Если давление в системе упадет ниже минимально допустимых значений, котел остановится, а на дисплее высветится неисправность F37. Вытяните ручку заполнения (поз. 1 - рис. 8) и поверните ее против часовой стрелки на начальное значение. По окончании операции всегда убирайте ручку на место.

После восстановления давления в системе котел запускает цикл стравливания воздуха, который длится 300 секунд и обозначается на дисплее надписью Fh.

Во избежание блокировки котла рекомендуется периодически проверять по манометру давление в холодной системе. При опускании давления ниже 0,8 бар рекомендуется восстановить его до требуемого.

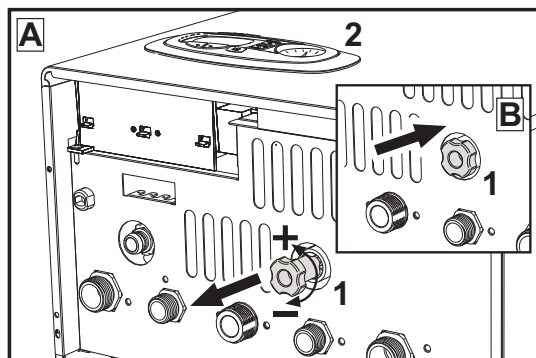


рис. 8- Ручка заполнения системы

**Опорожнение системы**

Стопорная гайка сливного крана находится под предохранительным клапаном, расположенным внутри котла.

Для опорожнения системы поверните кольцевую гайку (поз. 1 - рис. 9) против часовой стрелки, чтобы открыть кран. Не используйте инструменты и действуйте только руками.

При сливе воды из котла предварительно закройте запорные клапаны между системой и котлом перед тем, как поворачивать стопорную гайку.

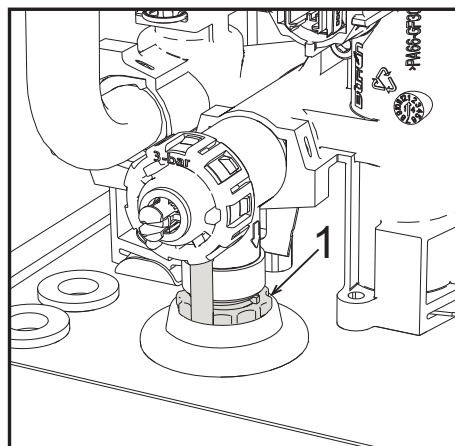


рис. 9- Предохранительный клапан со сливным краном



## 3. МОНТАЖ

### 3.1 Указания общего характера

УСТАНОВКА И НАСТРОЙКА ГОРЕЛКИ ДОЛЖНА ОСУЩЕСТВЛЯТЬСЯ ТОЛЬКО СПЕЦИАЛИЗИРОВАННЫМ ПЕРСОНАЛОМ, ИМЕЮЩИМ ПРОВЕРЕННУЮ КВАЛИФИКАЦИЮ, ПРИ СОБЛЮДЕНИИ ПРИВЕДЕННЫХ В НАСТОЯЩЕМ ТЕХНИЧЕСКОМ РУКОВОДСТВЕ УКАЗАНИЙ, ПРЕДИСЛОВИИ ДЕЙСТВУЮЩЕГО ЗАКОНОДАТЕЛЬСТВА, ПОЛОЖЕНИЙ МЕСТНЫХ НОРМ И ПРАВИЛ, И В СООТВЕТСТВИИ С ПРИНЯТЫМИ ТЕХНИЧЕСКИМИ ТРЕБОВАНИЯМИ.

### 3.2 Место установки

**Данный агрегат относится к котлам с "открытой камерой сгорания". Он может быть установлен и использован только в помещениях, оборудованных системой постоянной вентиляции. Недостаточный приток воздуха, необходимого для горения, будет препятствовать нормальной работе котла и удалению продуктов сгорания. Кроме того, продукты сгорания, образующиеся в таких условиях, при рассеивании в домашних помещениях являются чрезвычайно вредными для здоровья.**

Агрегат пригоден для работы в частично защищенном месте при минимальной температуре -5°C. Агрегат, оснащенный специальным комплектом против замерзания, может использоваться при минимальной температуре до -15°C. Котел должен устанавливаться в укрытии, например, под скатом крыши, внутри балкона или в защищенной нише.

В любом случае, место установки должно быть свободным от пыли, огнеопасных предметов или материалов или едких газов.

Котел предназначен для навешивания на стену и поставляется в комплекте с подвесным кронштейном. Крепление к стене должно обеспечивать стабильность и прочность положения котла.

Если агрегат устанавливается среди мебели или боком к стене, следует предусмотреть свободное пространство, необходимое для демонтажа кожуха и выполнения обычных работ по техобслуживанию.

### 3.3 Гидравлические соединения

#### Предупреждения

Сливное отверстие предохранительного клапана должно быть соединено с воронкой или со сливной трубой во избежание излияния воды на пол в случае повышения давления в отопительном контуре. В противном случае изготовитель котла не несет никакой ответственности за затопление помещения при срабатывании предохранительного клапана

Перед выполнением подключения следует проверить, что аппарат готов для работы с имеющимся типом газа, после чего выполнить тщательную очистку всех трубопроводов отопительной системы.

Выполните подключения к соответствующим штуцерам согласно чертежу на рис. 18 и в соответствии с символами, имеющимися на самом агрегате.

**Примечание:** агрегат оснащен внутренним байпасным клапаном в системе отопления.

#### Характеристики воды для системы отопления

В случае, если жесткость воды превышает 25° Fg (1°F = 10 ppm CaCO<sub>3</sub>), используемая вода должна быть надлежащим образом подготовлена, чтобы предотвращать образование накипи в котле.

#### Система защиты от замерзания, жидкие антифризы, добавки и ингибиторы

Использование жидких антифризов, добавок и ингибиторов разрешается в случае необходимости только и исключительно, если их изготовитель дает гарантию, подтверждающую, что его продукция отвечает данному виду использования и не причинит вреда теплообменнику котла и другим комплектующим и/или материалам, использованным в конструкции котла и системы. Запрещается использовать жидкие антифризы, добавки и ингибиторы, не предназначенные специально для применения в тепловых установках и несовместимые с материалами, использованными в конструкции котла и системы отопления. Обращаем Ваше внимание! При использовании антифриза в системе отопления, необходимо обеспечить достаточный теплосъем и проток теплоносителя в котле, во избежание локального перегрева теплообменника.

### 3.4 Газовые соединения

Газ подключается к соответствующему патрубку (см. рис. 18) с соблюдением действующих норм, с использованием жесткой металлической трубы или гибкого шланга из нержавеющей стали со сплошной оплеткой. Между газопроводом и котлом должен быть установлен газовый кран. Проверьте герметичность всех газовых соединений.

### 3.5 Электрические соединения

#### ПРЕДУПРЕЖДЕНИЯ И МЕРЫ ПРЕДОСТОРОЖНОСТИ

**ПЕРЕД ВЫПОЛНЕНИЕМ ЛЮБЫХ ОПЕРАЦИЙ, ПРЕДУСМАТРИВАЮЩИХ СНЯТИЕ КОЖУХА, ОТКЛЮЧАЙТЕ КОТЕЛ ИЗ ЭЛЕКТРИЧЕСКОЙ СЕТИ С ПОМОЩЬЮ ГЛАВНОГО ВЫКЛЮЧАТЕЛЯ.**

**НИ В КОЕМ СЛУЧАЕ НЕ ПРИКАСАЙТЕСЬ К ЭЛЕКТРИЧЕСКИМ КОМПОНЕНТАМ ИЛИ КОНТАКТАМ ПРИ ВКЛЮЧЕННОМ ГЛАВНОМ ВЫКЛЮЧАТЕЛЕ! ОПАСНОСТЬ ПОРАЖЕНИЯ ЭЛЕКТРИЧЕСКИМ ТОКОМ С РИСКОМ ТРАВМ ИЛИ СМЕРТЕЛЬНОГО ИСХОДА!**

Аппарат должен быть подключен к эффективной системе заземления, выполненной в соответствии с действующими нормами техники безопасности. Эффективность контура заземления и его соответствие нормам должны быть проверены квалифицированным персоналом. Изготовитель не несет никакой ответственности за ущерб, вызванный отсутствием заземления агрегата.

Котел поставляется с выполненной внутренней кабельной проводкой и снабжен соединительным шнуром трехполюсного типа без вилки для подключения к электрической сети. Подключение к сети должно быть постоянным, при этом между местом подключения к сети и котлом следует установить двухполюсный размыкатель с расстоянием между разомкнутыми контактами не менее 3 мм, а также предохранители с максимальным номинальным током 3А. При подключении к электрической сети важно соблюдать полярность (ЛИНИЯ: коричневый провод/ НЕЙТРАЛЬ: синий провод/ЗЕМЛЯ: желто-зеленый провод).



Сетевой шнур агрегата **НЕ ПОДЛЕЖИТ ЗАМЕНЕ САМИМ ПОЛЬЗОВАТЕЛЕМ. В случае повреждения сетевого шнура выключите агрегат и обратитесь для его замены к квалифицированным специалистам.** В случае замены сетевого шнура используйте исключительно кабель типа "HAR H05 VV-F" 3x0,75 мм<sup>2</sup> с наружным диаметром не более 8 мм.

#### Термостат комнатной температуры (опция)



**ВНИМАНИЕ: ТЕРМОСТАТ КОМНАТНОЙ ТЕМПЕРАТУРЫ ДОЛЖЕН БЫТЬ УСТРОЙСТВОМ С КОНТАКТАМИ НЕ ПОД НАПРЯЖЕНИЕМ. ПРИ ПОДАЧЕ НАПРЯЖЕНИЯ 230 В НА КЛЕММЫ ТЕРМОСТАТА КОМНАТНОЙ ТЕМПЕРАТУРЫ ПОВЛЕЧЕТ ЗА СОБОЙ НЕПОДЛЕЖАЩЕЕ РЕМОНТУ ПОВРЕЖДЕНИЕ ЭЛЕКТРОННОЙ ПЛАТЫ.**

При подключении регуляторов комнатной температуры с повременной программой управления или таймера, не следует запрыгивать их через размыкающие контакты. В зависимости от типа устройства питание должен подводиться напрямую от сети или от батареек.

#### Доступ к блоку зажимов

После снятия кожуха можно получить доступ к электрической коробке с зажимами. Расположение зажимов и их назначение показаны также на электрической схеме в рис. 23.

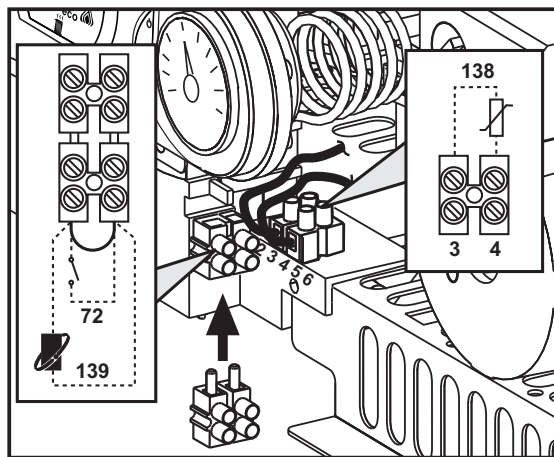


рис. 10 - Доступ к клеммной коробке

### 3.6 Воздуховоды для притока воздуха/удаления продуктов сгорания

Труба подсоединения к дымоходу должна иметь диаметр, не меньший чем диаметр соединительного патрубка на прерывателе тяги. После прерывателя тяги должен идти вертикальный участок дымохода длиной не менее 0,5 метра. Размеры и монтаж дымоходов и трубы для подсоединения к ним котла должны соответствовать действующим нормам.



Котел оборудован предохранительным устройством (термостатом обнаружения дыма), блокирующим действие агрегата в случае плохой тяги или засорения дымовой трубы. Запрещается вскрывать и отключать данное устройство.

## 4. УХОД И ТЕХНИЧЕСКОЕ ОБСЛУЖИВАНИЕ

#### Предупреждения



**Все нижеописанные операции по регулировке, переоборудованию, вводу в эксплуатацию и техобслуживанию подлежат выполнению исключительно квалифицированными специалистами с подтвержденной квалификацией (обладающими профессиональными техническими качествами, предусмотренными действующим законодательством), такими как сотрудники обслуживающего вашу территорию сервисного центра.**

**FERROLI снимает с себя всякую ответственность за травмы или материальный ущерб, которые могут быть причинены в результате несанкционированного изменения конструкции агрегата неквалифицированными и неуполномоченными лицами.**

4.1 Регулировки

Перевод котла с одного вида газа на другой



**ВСЕ КОМПОНЕНТЫ, ПОВРЕЖДЕННЫЕ ВО ВРЕМЯ ПЕРЕБОРУДОВАНИЯ, ПОДЛЕЖАТ ЗАМЕНЕ.**

Агрегат рассчитан для работы как на метане, так на сжиженном нефтяном газе. Подготовка котла к работе на том или другом газом топливе производится на заводе, причем соответствующее указание приведено на упаковке, а также на табличке технических данных, установленной на самом агрегате. В случае необходимости перевода котла на работу с газом, отличным от газа, для которого он был настроен на заводе, необходимо приобрести специально предусмотренный для этой цели комплект для переоборудования и действовать, как указано ниже:

- Отключите электрическое питание от котла и закройте газовый вентиль.
- Замените форсунки на горелке, установив форсунки, указанные в таблице технических данных в сар. 5, в соответствии с типом используемого газа
- Подайте питание на котел и откройте газовый вентиль.
- Измените параметр, соответствующий типу газа:
  - Установите котел в режим ожидания.
  - Нажмите на кнопки системы ГВС, поз. 1 и 2 - рис. 1, на 10 секунд: на дисплее начнет мигать "b01".
  - Используйте кнопки системы ГВС, поз. 1 и 2 - рис. 1, чтобы задать параметр 00 (для работы на метане) или 01 (для работы на сжиженном нефтяном газе).
  - Нажмите на кнопки системы ГВС, поз. 1 и 2 - рис. 1, на 10 секунд.
  - Котел вернется в режим ожидания.
- Отрегулируйте минимальное и максимальное давление на горелке (см. соответствующий параграф), задав значения, указанные в таблице технических данных, соответствующей типу используемого газа.
- Наклейте табличку, входящую в состав комплекта для переоборудования, рядом с табличкой технических данных для подтверждения факта переоборудования.

Активация функции автоматической настройки для калибровки газового клапана

**ДАННАЯ ПРОЦЕДУРА ДОЛЖНА ВЫПОЛНЯТЬСЯ ТОЛЬКО В СЛЕДУЮЩИХ СЛУЧАЯХ: ЗАМЕНА ГАЗОВОГО КЛАПАНА, ЗАМЕНА ПЛАТЫ, ПЕРЕБОРУДОВАНИЕ НА ДРУГОЙ ВИД ГАЗА.**

Газовый клапан В&Р (со встроенным модулятором) не предусматривает механической калибровки: настройка минимальных и максимальных значений мощности выполняется электронным способом с помощью двух параметров:

Указатель	Описание	Природный газ	Пропан
q01	Абсолютное минимальное смещение тока:	0ч100	0ч150
q02	Абсолютное максимальное смещение тока:	0ч100	0-150

Предварительная калибровка газового клапана

- Подключите манометр для контроля выходного давления на газовом клапане.
- Подключите функцию **автоматической настройки** (параметр b12=1).
- Активируйте процедуру калибровки, нажав на кнопку отопления "+" одновременно с кнопкой Eco/Comfort на 5 секунд. При этом появится надпись «Au-to» (два последовательных мигания) и включится горелка. В течение 8 секунд (метан и СНГ) котел найдет точку воспламенения. Значения точки воспламенения, абсолютного минимального смещения тока (параметр q01) и абсолютного максимального смещения тока (параметр q02) запоминаются электронной платой.

Калибровка газового клапана

- На дисплее появится мигающий текст «q02»; ток модуляции доводится до значения предварительной калибровки параметра абсолютного максимального смещения тока (параметр q02).
- Используйте кнопки «ГВС» для регулировки параметра «q02», пока на манометре не будет определяться максимальное номинальное давление ниже 1 мбар. Подождите 10 секунд, пока давление не стабилизируется.
- Нажимайте кнопку ГВС "+" для регулировки параметра "q02", пока на манометре не будет определяться максимальное номинальное давление. Подождите 10 секунд, пока давление не стабилизируется.
- Если измеряемое манометром давление отличается от максимального номинального давления, то значение параметра "q02" необходимо увеличивать шагами по 1 или 2 единицы нажатием кнопки ГВС "+": после каждого изменения подождите 10 секунд, пока давление не стабилизируется.
- Когда давление, считываемое по манометру, станет равным максимальному номинальному давлению (только что откалиброванное значение параметра «q02» автоматически сохраняется), нажмите на кнопку **отопления "-"**: на дисплее появится мигающая надпись «q01»; ток модуляции доводится до значения предварительной калибровки параметра абсолютного минимального смещения тока (параметр q01).
- Нажимайте на кнопки ГВС для регулировки параметра «q01» до тех пор, пока на манометре не будет определяться минимальное номинальное давление плюс 0,5 мбар. Подождите 10 секунд, пока давление не стабилизируется.
- Нажимайте на кнопку ГВС "-" для регулировки параметра «q01» до тех пор, пока на манометре не будет определяться минимальное номинальное давление. Подождите 10 секунд, пока давление не стабилизируется.
- Если измеряемое манометром значение отличается от минимального номинального давления, то значение параметра "q01" необходимо уменьшать шагами по 1 или 2 единицы нажатием кнопки ГВС "-": после каждого изменения подождите 10 секунд, пока давление не стабилизируется.
- Когда давление, считываемое по манометру, станет равным минимальному номинальному давлению (только что откалиброванное значение параметра «q01» автоматически сохраняется), проверьте обе настройки путем нажатия на кнопки отопления и, при необходимости, внесите изменения, повторив вышеописанную процедуру.
- Процедура калибровки завершается автоматически через 15 минут или при одновременном нажатии на кнопку **отопления "+"** и Eco/comfort на 5 секунд.

Проверка значений давления газа и регулировка в ограниченном диапазоне

- Убедитесь, что давление подачи соответствует значению, приведенному в таблице технических данных.
- Подключите подходящий манометр к разъему измерения давления "В", расположенному после газового клапана.
- Активируйте режим **TEST** и следуйте инструкциям по проверке давления газа при максимальной и минимальной мощности (см. следующий параграф).

Если показания максимального и/или минимального номинального давления на манометре отличаются от указанных в таблице технических данных, действуйте в следующей последовательности.

- При нажатии на кнопку Eco/Comfort на 2 секунды происходит переход в режим калибровки газового клапана в ограниченном диапазоне.
- Плата переходит к настройке "q02"; при нажатии кнопку ГВС отображается текущее сохраненное значение.
- Если измеряемое манометром **максимальное давление** отличается от номинального, то значение параметра "q02" необходимо увеличивать/уменьшать шагами по 1 или 2 единицы нажатием кнопку ГВС: после каждого изменения подождите 10 секунд, пока давление не стабилизируется.
- Нажмите клавишу отопления "-" (поз. 3 - рис. 1).
- Плата переходит к настройке "q01"; при нажатии кнопку ГВС отображается текущее сохраненное значение.
- Если измеряемое манометром **минимальное давление** отличается от номинального, то значение параметра "q01" необходимо увеличивать/уменьшать шагами по 1 или 2 единицы нажатием кнопку ГВС: после каждого изменения подождите 10 секунд, пока давление не стабилизируется.
- Проверьте обе регулировки нажатием клавиш отопления и произведите соответствующие коррективы, если это необходимо, выполнением вышеописанной процедуры.
- При нажатии клавиши Eco/Comfort на 2 секунды система возвращается в режим TEST.
- Выключите режим **TEST** (см. следующий параграф).
- Отсоедините манометр.

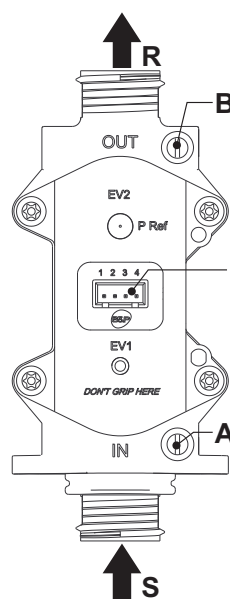


рис. 11 - Газовый клапан

- A - Штуцер отбора давления, расположенный перед газовым клапаном
- B - Штуцер отбора давления, расположенный после газового клапана
- I - Электрический разъем для подключения газового клапана
- R - Выход газа
- S - Подвод газа

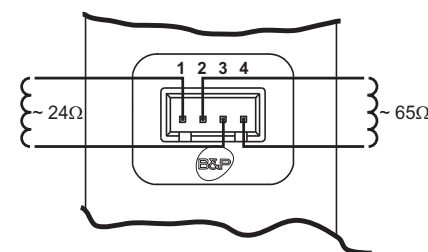


рис. 12 - Электрический разъем для подключения газового клапана

TYPE SGV100  
Pi макс. 65 мбар  
24 В пост. тока - класс В+А

Активация режима TEST

Одновременно нажмите на кнопки системы отопления (поз. 3 и 4 - рис. 1) в течение 5 секунд для активации режима **TEST**. Котел включится на максимальной мощности, заданной так, как указано в следующем параграфе.

На дисплее мигают символы отопления и ГВС (рис. 13); рядом отображается мощность отопления.

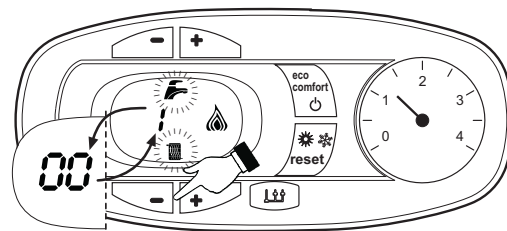


рис. 13 Режим TEST (мощность системы отопления = 100%)

Нажмите на кнопки системы отопления (поз. 3 и 4 - рис. 1) для увеличения или уменьшения мощности (минимальная мощность = 00% - максимальная мощность = 100%).

Нажатием на кнопку системы ГВС "-" (поз. 1 - рис. 1) мощность котла немедленно настраивается на минимальную (0%). Нажатием на кнопку системы ГВС "+" (поз. 2 - рис. 1) мощность котла немедленно настраивается на максимальную (100%).

В случае активации режима TEST и забора воды ГВС, достаточного для активации режима ГВС, котел остается в режиме TEST, но 3-ходовой клапан переключается в режим ГВС.

Для отключения режима TEST одновременно нажмите на кнопки отопления (поз. 3 и 4 - рис. 1) в течение 5 секунд.

Режим TEST в любом случае автоматически отключится через 15 минут или по завершении забора воды ГВС (в случае если величина забора достаточна для активации режима ГВС).

Регулировка мощности отопления

Для регулировки мощности отопления установите котел в режим TEST (см. sez. 4.1). Нажимайте кнопки задания температуры воды в системе отопления (поз. 3 - рис. 1) для соответственного увеличения или уменьшения мощности (минимальная = 00 / максимальная = 100). При нажатии в течение 5 секунд после этого кнопки **"СБРОС"** сохранится только что заданная максимальная мощность. Выйдите из режима TEST (см. sez. 4.1).



## Меню конфигурации

Доступ к меню конфигурации обеспечивается одновременным нажатием кнопок ГВС на 10 секунд. Имеются **12 параметров**, обозначенные буквой "b": такие параметры не могут изменяться с устройства дистанционного управления с таймером.

С помощью кнопок отопления имеется возможность просматривать список параметров в порядке возрастания или убывания. Чтобы отобразить или изменить значение параметра, достаточно использовать кнопки ГВС: изменение сохраняется автоматически.

Указатель	Описание	Диапазон	Параметр
b01	Выбор вида газа	0=Метан 1=Сжиженный нефтяной газ	0
b02	Выбор типа котла	1=мгновенный выход горячей воды с битермическим теплообменником 2=мгновенный выход горячей воды с монотермическим теплообменником 3=Только отопл. (3-ход. клапан) 4=Только отопл. (циркуляционный насос)	2
b03	Выбор типа камеры сгорания	0=Герметичная камера с контролем сгорания (без реле дав.дыма) 1=Открытая камера (с термост.дыма) 2=Герметичная камера (с реле дав.дыма) 3=Герметичная камера с контролем сгорания (с терм.дыма на улавливателе) 4=LOW NOx герметичная камера с контролем сгорания (без реле дав.дыма) 5=LOW NOx открытая камера (с термост.дыма)	1
b04	Выбор типа основного теплообменника	0 ч 13	4 (для модели C24) 5 (для модели C32)
b05	Выбор работы реле переменного выхода (b02=1)	0 = Наружный газовый клапан 1 = Электрореле заполнения системы 2 = 3-ходовой клапан для солнечных панелей 3 = Питание светового индикатора при наличии неисправности 4 = Питание светового индикатора при отсутствии неисправности 5 = Внешний циркуляционный насос (во время работы по требованию и периода после циркуляции)	ОТСУТСТВУЕТ ДЛЯ ДАННОЙ МОДЕЛИ
	Не влияет на регулировку (b02=2)	--	0
	Не влияет на регулировку (b02=3)	--	
	Не влияет на регулировку (b02=4)	--	
b06	Частота сетевого напряжения	0=50 Гц 1=60 Гц	0
b07	Время включенной горелки в режиме Comfort (b02=1)	0-20 секунд	5
	Не влияет на регулировку (b02=2)	--	
	Не влияет на регулировку (b02=3)	--	
	Не влияет на регулировку (b02=4)	--	
b08	Привод газового клапана	0 = Стандартный, 1	0
b09	Выбор типа запроса режима ГВС	0 = Регулятор расхода 1 = Расходомер (190 имп./л) 2 = Расходомер (450 имп./л) 3 = Расходомер (700 имп./л)	1
b10	Программирование расходомера по времени (b02=1)	0 = Отключено 1 ч 10=секунд	0
	Программирование расходомера по времени (b02=2)	0=выключено 1-10=секунд	
	Не влияет на регулировку (b02=3)	--	
	Не влияет на регулировку (b02=4)	--	
b11	Расход при включении режима ГВС (b02=1)	10 ч 100 л/мин/10	15
	Расход при включении режима ГВС (b02=2)	10 ч 100 л/мин/10	
	Не влияет на регулировку (b02=3)	--	
	Не влияет на регулировку (b02=4)	--	
b12	Подключение процедуры "Самонастройка"	0 = Исключена 1 = Подключена	0

### Примечание:

- Параметры с несколькими описаниями меняют свое значение и/или диапазон в зависимости от установочного параметра, данного в скобках.
- Параметры с несколькими описаниями возвращаются к стандартному значению в случае изменения параметра, приведенного в скобках.

Доступ к меню конфигурации обеспечивается нажатием на кнопки системы ГВС в течение 10 секунд либо автоматически по истечении 2 минут.

## Меню "Обслуживание"

Доступ к меню "Обслуживание" открывается при нажатии на кнопку "Сброс" на 20 секунд. Имеется 4 подменю: путем нажатия на кнопки режима отопления можно выбирать "tS", "In", "Hi" или "rE" по нарастающей или по убывающей. "tS" обозначает «Меню прозрачных параметров», "In" обозначает «Информационное меню», "Hi" обозначает «Меню архива сигнализации»: для входа в выбранное подменю необходимо повторно нажать на кнопку «Сброс»; "rE" обозначает «Сброс меню архива сигнализации»: см. описание.

### "tS" - "Меню прозрачных параметров"

Предусмотрено **21** параметров, отмеченных буквой "P", которые можно изменять, в том числе, с пульта дистанционного управления с таймером.

С помощью кнопок отопления имеется возможность просматривать список параметров в порядке возрастания или убывания. Чтобы отобразить или изменить значение параметра, достаточно использовать кнопки ГВС: изменение сохраняется автоматически.

Указатель	Описание	Диапазон	DIVAtech D C
P01	Смещение кривой розжига	0-40	20
P02	Кривая отопления	1-20°С/мин	5
P03	Время ожидания отопления	0-10 минут	2
P04	Пост-циркуляция в системе отопления	0-20 минут	6
P05	Максимальная пользовательская настройка отопления	31-85°С	80
P06	Максимальная мощность отопления	0-100%	100
P07	Выключение горелки в режиме ГВС (b02=1)	0=Фиксированное	0
		1=Связанное с заданным значением	
		2=Солнечная панель	
		3 = НЕ ИСПОЛЬЗОВАТЬ	
P07	Выключение горелки в режиме ГВС (b02=2)	0=фиксированное	0
		1=Связанное с заданным значением	
		2=Солнечная панель	
		3 = НЕ ИСПОЛЬЗОВАТЬ	
P07	Гистерезис бойлера (b02=3)	0 (не использовать) 1-2-3-4°С	0
		Гистерезис бойлера (b02=4)	
P08	Время ожидания ГВС (b02=1)	0-60 секунд	30
	Время ожидания ГВС (b02=2)	0-60 секунд	
	Время ожидания ГВС (b02=3)	0-60 секунд	
	Время ожидания ГВС (b02=4)	0-60 секунд	
P09	Максимальное значение температуры в системе ГВС, задаваемое пользователем (b02=1)	50-65°С	50
	Максимальное значение температуры в системе ГВС, задаваемое пользователем (b02=2)	50-65°С	
	Максимальное значение температуры в системе ГВС, задаваемое пользователем (b02=3)	50-65°С	
	Максимальное значение температуры в системе ГВС, задаваемое пользователем (b02=4)	50-65°С	
P10	Температура при функции антиинерции (b02=1)	5-85°С	0
	Не влияет на регулировку (b02=2)	--	
	Температура подаваемой воды в системе ГВС (b02=3)	70-85°С	
P10	Температура подаваемой воды в системе ГВС (b02=4)	70-85°С	
	Пост-циркуляция при функции антиинерции (b02=1)	0-10 секунд	
	Пост-циркуляция в системе ГВС (b02=2)	0-60 секунд	
P11	Пост-циркуляция в системе ГВС (b02=3)	0-60 секунд	30
	Пост-циркуляция в системе ГВС (b02=4)	0-60 секунд	
	Максимальная мощность в режиме ГВС	0-100%	
P12	Максимальная мощность в режиме ГВС	0-100%	100
P13	Абсолютная минимальная мощность	0-100%	0
P14	ОТСУТСТВУЕТ ДЛЯ ДАННОЙ МОДЕЛИ		
P15	Смещение предела CO2 (b03=0)	0 (Минимальное) 30 (Максимальное)	20
	Не влияет на регулировку (b03=1)	--	
	Не влияет на регулировку (b03=2)	--	
	Смещение предела CO2 (b03=3)	0 (Минимальное) 30 (Максимальное)	
P15	Смещение предела CO2 (b03=4)	0 (Минимальное) 30 (Максимальное)	
	Не влияет на регулировку (b03=5)	--	
	Сработала защита теплообменника	0=No F43 1-15=1-15°С/сек.	
P16	Сработала защита теплообменника	0=No F43 1-15=1-15°С/сек.	10
P17	Макс. абсолютная скорость модулирующего насоса	Работает на 100%. Регулируется с помощью дополнительного кабеля.	100
P18	Макс. абсолютная скорость насоса пост-циркуляции	0-100% не работает. В данной модели всегда на 100%	60

Указатель	Описание	Диапазон	DIVAtech D C
P19	Температура выключения режима "Солнечные панели" (b02=1)	0÷20°C	10
	Температура выключения режима "Солнечные панели" (b02=2)	0÷20°C	
	Не влияет на регулировку (b02=3)	--	
	Не влияет на регулировку (b02=4)	--	
P20	Температура включения режима "Солнечные панели" (b02=1)	0÷20°C	10
	Температура включения режима "Солнечные панели" (b02=2)	0÷20°C	
	Не влияет на регулировку (b02=3)	--	
	Не влияет на регулировку (b02=4)	--	
P21	Время ожидания режима "Солнечные панели" (b02=1)	0-20 секунд	10
	Время ожидания режима "Солнечные панели" (b02=2)	0-20 секунд	
	Не влияет на регулировку (b02=3)	--	
	Не влияет на регулировку (b02=4)	--	

**Примечание:**

1. Параметры с несколькими описаниями меняют свое значение и/или диапазон в зависимости от установившегося параметра, данного в скобках.
2. Параметры с несколькими описаниями возвращаются к стандартному значению в случае изменения параметра, приведенного в скобках.
3. Параметр максимальной мощности отопления может быть изменен также в режиме Test.

Для возврата к меню Service достаточно нажать кнопку "Reset" Для выхода из меню "Service" электронного блока необходимо нажать кнопку "Reset" в течение 20 секунд или подождать 20 минут, чтобы произошло автоматическое выключение.

**«In» - Информационное меню**

Имеется PAR\_INFO типов сведений.

Нажатию на кнопки отопления можно просматривать список сведений по нарастающей или убывающей. Для отображения соответствующих значений достаточно использовать кнопки системы ГВС.

Содержание	Наименование	Диапазон
t01	Датчик NTC системы отопления (°C)	между 05 и 125°C
t02	Датчик NTC, защитный (°C)	между 05 и 125°C
t03	Датчик NTC системы ГВС (°C)	между 05 и 125°C
t04	Датчик NTC, наружный (°C)	в диапазоне -30÷70°C (отрицательные значения мигают) Без NTC = --
L05	Текущая мощность горелки (%)	00%=минимальная, 100%=максимальная
F06	Сопrotивление фактического пламени (кОм)	00-99 кОм (- = горелка выключена)
St07	ОТСУТСТВУЕТ ДЛЯ ДАННОЙ МОДЕЛИ	
F08	Текущий расход в системе ГВС (л/мин/10)	л/мин/10 больше 99 мигание 3 цифр
PP09	Текущая скорость модулирующего насоса (%)	00-100% не раб. в данной модели

**Примечание:**

1. В случае повреждения датчика на дисплее электронной платы отображаются штрихи.

Для возврата к меню "Service" достаточно нажать кнопку "Reset". Для выхода из меню "Service" электронной платы необходимо нажать кнопку "Reset" в течение 20 секунд или подождать 20 минут, чтобы произошло автоматическое выключение.

**"Hi" - Меню архива ("History")**

Электронная плата позволяет хранить в памяти информацию о последних 11 неисправностях, которые возникли в системе: H1 обозначена наиболее близкая по времени неисправность; H10 обозначена наиболее отдаленная по времени неисправность.

Внесенные в память коды неисправностей можно вывести на дисплей также в соответствующем меню дистанционного пульта управления с таймером.

С помощью кнопок системы отопления имеется возможность просматривать список параметров соответственно в восходящем или нисходящем направлении. Для отображения соответствующих значений используются кнопки системы ГВС.

Для возврата к меню "Service" достаточно нажать кнопку "Reset". Для выхода из меню "Service" электронной платы необходимо нажать кнопку "Reset" в течение 20 секунд или подождать 20 минут, чтобы произошло автоматическое выключение.

**re" - Сброс меню архива ("History")**

При 3-секундном нажатии на кнопку Eco/comfort можно удалить из памяти Меню архива ("History") все неисправности: при этом происходит автоматический выход из меню "Service", что подтверждает успешное завершение операции.

Для выхода из меню "Service" электронной платы необходимо нажать кнопку "Reset" в течение 20 секунд или подождать 20 минут, чтобы произошло автоматическое выключение.

**4.2 Ввод в эксплуатацию**

**Перед включением котла**

- Проверьте герметичность системы подвода газа.
- Проверьте правильность предварительно созданного в расширительном сосуде давления.
- Заполните систему водой и полностью спустите воздух из котла и системы отопления.
- Удостоверьтесь в отсутствии утечек воды из системы отопления, контура ГВС, из котла и в различных соединениях.
- Проверьте правильность выполнения электрических соединений и эффективность заземления.
- Удостоверьтесь, что величина давления газа соответствуют требуемому значению.
- Проверьте, что в непосредственной близости от котла не находятся огнеопасные жидкости и материалы.



**ПРИ НЕСОБЛЮДЕНИИ ВЫШЕУКАЗАННЫХ ИНСТРУКЦИЙ МОЖЕТ ВОЗНИКНУТЬ ОПАСНОСТЬ УДУШЕНИЯ ИЛИ ОТРАВЛЕНИЯ ПО ПРИЧИНЕ ВЫХОДА ГАЗОВ ИЛИ ДЫМОВ, А ТАКЖЕ ОПАСНОСТЬ ПОЖАРА ИЛИ ВЗРЫВА. КРОМЕ ТОГО, МОЖЕТ ВОЗНИКНУТЬ ОПАСНОСТЬ ПОРАЖЕНИЯ ЭЛЕКТРИЧЕСКИМ ТОКОМ ИЛИ ЗАТОПЛЕНИЯ ПОМЕЩЕНИЯ.**

**Контрольные операции, выполняемые во время работы**

- Включите аппарат.
- Проверьте герметичность топливного контура и водопроводов.
- При работающем котле проверьте, нормально ли работают дымоход и воздухопроводы для притока воздуха и удаления дымовых газов.
- Проверьте, правильно ли циркулирует вода между котлом и системой отопления.
- Удостоверьтесь, что газовый клапан правильно обеспечивает модуляцию мощности, как в режиме отопления, так и в режиме ГВС.
- Проверьте работу системы розжига котла. Для этого несколько раз включите и выключите котел путем регулировки комнатного термостата или с пульта дистанционного управления.
- Удостоверьтесь по показаниям счетчика, что расход газа соответствует величине, указанной в таблице технических данных в сар. 5.
- Проверьте, что при отсутствии сигнала на включение отопления, горелка загорается при открытии любого крана системы ГВС. Удостоверьтесь, что во время работы в режиме отопления при открытии крана горячей воды останавливается циркуляционный насос системы отопления и производится выработка воды ГВС.
- Проверьте правильность запрограммированных параметров и, если необходимо, внесите необходимые изменения (кривая погодозависимого регулирования, мощность, температура и т.д.).

**4.3 Техническое обслуживание**

**ПРЕДУПРЕЖДЕНИЯ И МЕРЫ ПРЕДОСТОРОЖНОСТИ**



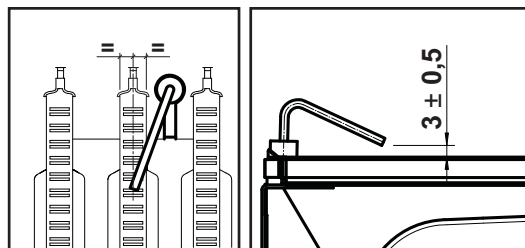
**ВСЕ ОПЕРАЦИИ ПО ТЕХНИЧЕСКОМУ ОБСЛУЖИВАНИЮ ИЛИ ЗАМЕНЕ КОТЛА ДОЛЖНЫ ВЫПОЛНЯТЬСЯ СПЕЦИАЛИЗИРОВАННЫМ ПЕРСОНАЛОМ С ПОДТВЕРЖДЕННОЙ КВАЛИФИКАЦИЕЙ.**

**Перед выполнением любых операций внутри котла отключите электроснабжение и закройте газовый вентиль, установленный перед котлом. В противном случае может возникнуть риск взрыва, электрического удара, удушения или отравления.**

**Периодический контроль**

Чтобы обеспечить исправную работу агрегата с течением времени, необходимо раз в года приглашать квалифицированный персонал для следующих проверок:

- Управляющие и предохранительные устройства (газовый клапан, расходомеры, термостаты и пр.) должны исправно работать.
- Контур отвода дыма должен быть безукоризненно эффективным. (Котел с закрытой камерой: вентилятор, реле давления и пр. - Закрытая камера должна быть герметичной: прокладки, прижимы для кабелей и пр.) (Котел с открытой камерой: антинагнетатель, термостат дыма и пр.)
- Трубопроводы и оголовки для забора воздуха и отвода дыма не должны быть загромождены и не должны иметь утечек
- Горелка и теплообменник должны быть чистыми и без отложений. Для их очистки не используйте химические продукты или стальные щетки.
- Электрод не должен иметь нагара и должен правильно располагаться.



**рис. 14 - Положение электрода**

- Все газовые и гидравлические соединения должны быть герметичными
- Давление воды в холодном отопительном контуре должно составлять около 1 бара; в противном случае следует настроить это значение.
- Циркуляционный насос не должен быть заблокированным
- Расширительный бак должен быть заполнен
- Расход и давление газа должны соответствовать значениям из соответствующих таблиц.

## 4.4 Устранение неисправностей

### Диагностика

Котел оснащен современной системой самодиагностики. В случае возникновения какой-либо неисправности в котле дисплей начинает мигать вместе с символом неисправности (поз. 11 - рис. 1), отображая код этой неисправности.

Имеются неисправности, вызывающие постоянную блокировку (обозначаемые буквой "А"): для возобновления работы достаточно нажать клавишу СБРОС (поз. 6 - рис. 1) на 1 секунду или, при наличии, клавишу СБРОС на пульте ДУ с таймером (опция). При этом на дисплее высветится надпись "d4" примерно на **30 секунд**, либо "d5" примерно на **5 минут**, показывая время ожидания, по истечении которого котел возобновит нормальную работу. Если этого не произойдет, необходимо устранить неисправность.

Другие неисправности (обозначаемые буквой "F") вызывают временную блокировку, которая снимается автоматически, как только вызвавший сбой параметр возвращается в нормальные рабочие пределы.

### Перечень неисправностей

Таблица. 2

Код неисправности	Неисправность	Возможная причина	Способ устранения
A01	Не произошло зажигание горелки	Отсутствие газа	Проверьте регулярность поступления газа в котел, и что из труб спущен воздух
		Неисправность следящего/поджигающего электрода	Проверьте электрические соединения электрода и правильность его расположения. Очистите электрод от отложений, если это необходимо
		Неисправный газовый клапан	Проверьте и замените газовый клапан
		Разрыв электропроводки газового клапана	Проверьте правильность подключения проводов
		Низкая мощность розжига	Отрегулируйте мощность розжига
A02	Сигнализация о наличии пламени при неработающей горелке	Неисправность электрода	Проверьте проводку ионизирующего электрода
		Неисправность электронной платы	Проверьте электронную плату
A03	Сработала защита от перегрева	Поврежден датчик температуры воды в системе отопления	Проверьте правильность установки и функционирования датчика температуры воды в системе отопления
		Отсутствие циркуляции воды в системе	Проверьте циркуляционный насос
		Наличие воздуха в системе	Стравите воздух из системы
F04	Срабатывание термостата дымовых газов (при срабатывании этого термостата работа котла исключается в течение 20 минут)	Разомкнут контакт термостата дымовых газов	Проверьте термостат
		Обрыв соединительного кабеля	Проверьте правильность подключения проводов
		Дымоход неверных размеров или забит	Проверьте дымовую трубу
F05	Сбои в параметрах электронной платы	Неправильно задано значение параметра электронной платы	Проверьте электронную плату и измените соответствующий параметр, если это необходимо
A06	Отсутствие пламени после цикла розжига	Низкое давление в газовой магистрали	Проверьте давление газа в сети
		Тарировка минимального давления горелки	Проверьте величины давления
F07	Сбои в параметрах электронной платы	Неправильно задано значение параметра электронной платы	Проверьте электронную плату и измените соответствующий параметр, если это необходимо
A09	Неисправность газового клапана	Обрыв соединительного кабеля	Проверьте правильность подключения проводов
		Неисправный газовый клапан	Проверьте и при необходимости замените газовый клапан
F10	Неисправность датчика 1 в подающем контуре	Датчик поврежден	Проверьте состояние электропроводки или замените датчик
		Короткое замыкание в соединительном кабеле	
		Обрыв соединительного кабеля	
F11	Неисправность датчика системы ГВС	Датчик поврежден	Проверьте состояние электропроводки или замените датчик
		Короткое замыкание в соединительном кабеле	
		Обрыв соединительного кабеля	

Код неисправности	Неисправность	Возможная причина	Способ устранения
F14	Неисправность датчика 2 в подающем контуре	Датчик поврежден	Проверьте состояние электропроводки или замените датчик
		Короткое замыкание в соединительном кабеле	
		Обрыв соединительного кабеля	
A16	Неисправность газового клапана	Обрыв соединительного кабеля	Проверьте правильность подключения проводов
		Неисправный газовый клапан	Проверьте и при необходимости замените газовый клапан
F20	Сбои в параметрах электронной платы	Неправильно задано значение параметра электронной платы	Проверьте электронную плату и измените соответствующий параметр, если это необходимо
A21	Сбои в параметрах электронной платы	Неправильно задано значение параметра электронной платы	Проверьте электронную плату и измените соответствующий параметр, если это необходимо
A23	Сбои в параметрах электронной платы	Неправильно задано значение параметра электронной платы	Проверьте электронную плату и измените соответствующий параметр, если это необходимо
A24	Сбои в параметрах электронной платы	Неправильно задано значение параметра электронной платы	Проверьте электронную плату и измените соответствующий параметр, если это необходимо
F34	Напряжение сети меньше 170 В.	Неисправности в сети электропитания	Проверьте состояние системы электропитания
F35	Нарушения в частоте тока в сети электропитания	Неисправности в сети электропитания	Проверьте состояние системы электропитания
F37	Неверное давление воды в системе	Слишком низкое давление в системе	Заполните систему водой
		Реле давления воды не подключено или неисправно	Проверьте датчик
F39	Неисправность датчика внешней температуры	Датчик поврежден или короткое замыкание в соединительном кабеле	Проверьте правильность подключения проводов датчика или замените его
		Отсоединен датчик после активации режима плавающей температуры	Снова подсоедините внешний датчик или отключите режим плавающей температуры
A41	Позиционирование датчика	Датчик температуры воды, подаваемой в систему отопления, отсоединился от трубы	Проверьте правильность положения и исправность датчика температуры воды в системе отопления
F42	Неисправность датчика температуры воды в системе отопления	Датчик поврежден	Замените датчик
F43	Сработало устройство защиты теплообменника.	Отсутствие циркуляции H <sub>2</sub> O в системе отопления	Проверьте циркуляционный насос
		Наличие воздуха в системе	Стравите воздух из системы
F50	Неисправность газового клапана	Разрыв электропроводки модулирующего устройства	Проверьте правильность подключения проводов
		Неисправный газовый клапан	Проверьте и при необходимости замените газовый клапан

## 5. ХАРАКТЕРИСТИКИ И ТЕХНИЧЕСКИЕ ДАННЫЕ

### 5.1 Размеры и соединения

Таблица. 3- Условные обозначения, рис. 20, рис. 21 и рис. 22

8 Выход воды для ГВС - Ø1/2"	56 Расширительный бак
9 Вход воды для ГВС - Ø1/2"	74 Вентиль для заполнения системы
10 Подача в систему - Ø3/4"	78 Прерыватель тяги
11 Возврат из системы - Ø3/4"	81 Поджигающий/следящий электрод
14 Предохранительный клапан	95 Распределительный клапан
22 Горелка	114 Реле давления воды
27 Медный теплообменник для систем отопления и ГВС	126 Термостат температуры продуктов сгорания
32 Циркуляционный насос системы отопления	136 Расходомер
36 Автоматический воздухоотвод	137 Датчик давления
37 Фильтр на входе холодной воды	194 Теплообменник воды ГВС
42 Датчик температуры воды ГВС	241 Автоматический обводной клапан (байпас)
44 Газовый клапан	278 Двойной датчик (предохранительный + температуры воды в системе отопления)

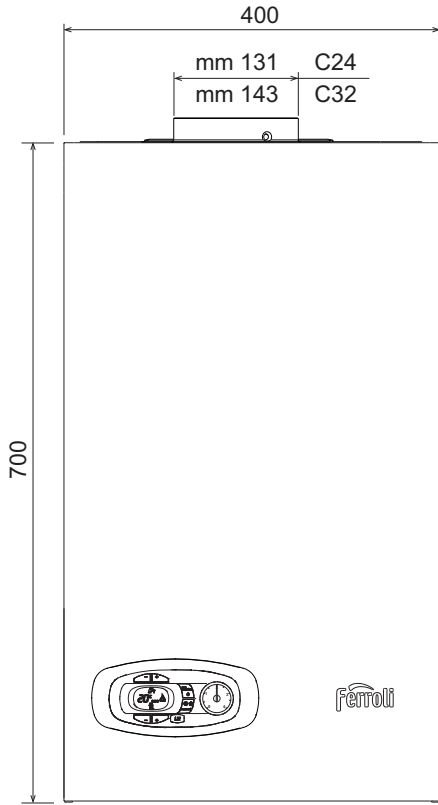


рис. 15- Вид спереди

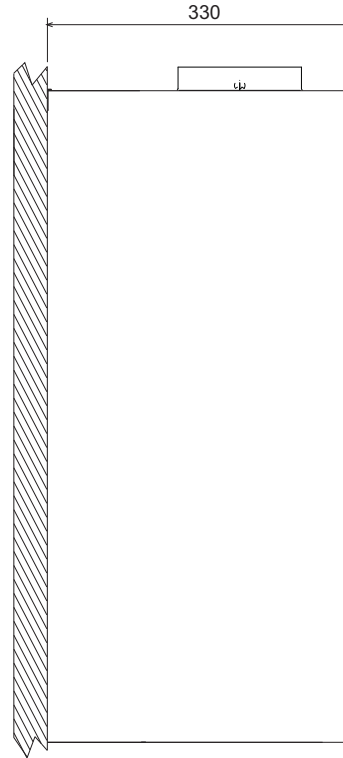


рис. 16- Вид сбоку

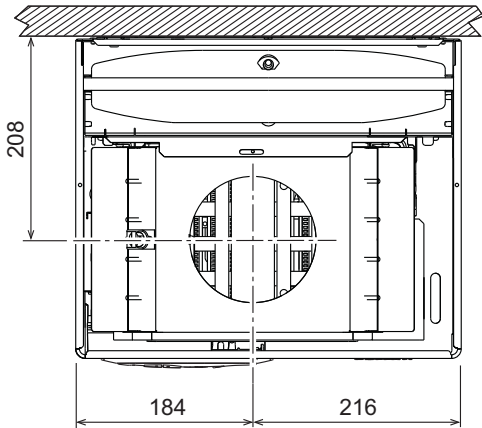


рис. 17- Вид сверху - DIVAtech D C24

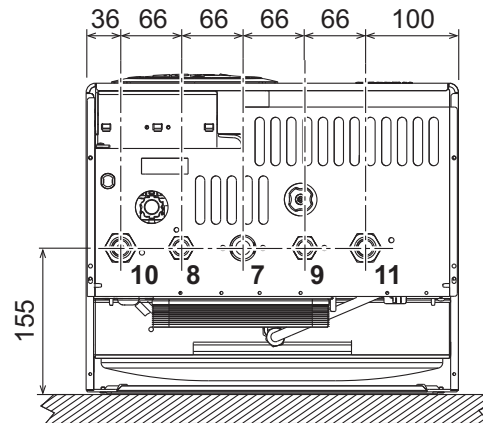


рис. 18- Вид снизу - DIVAtech D C24 e C32

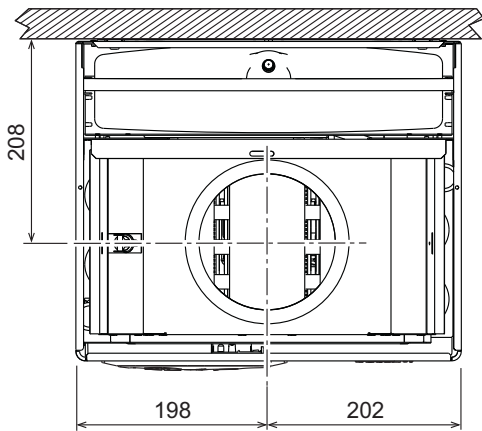


рис. 19- Вид сверху - DIVAtech D C32

- 7 Подвод газа - Ø3/4"
- 8 Выход воды ГВС - Ø1/2"
- 9 Вход воды ГВС - Ø1/2"
- 10 Подача в систему - Ø3/4"
- 11 Возврат из системы - Ø3/4"

## 5.2 Общий вид и основные компоненты

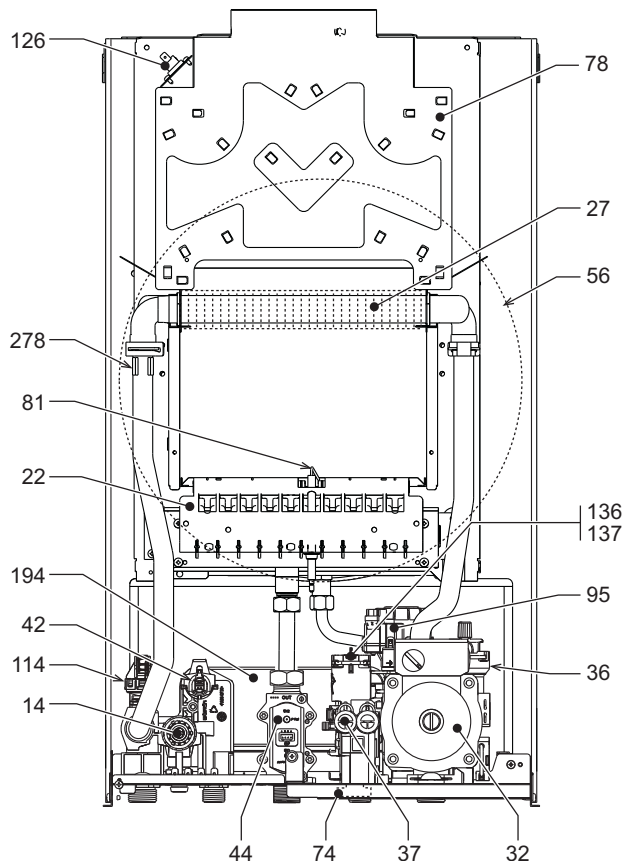


рис. 20- Общий вид - DIVAtech D C24

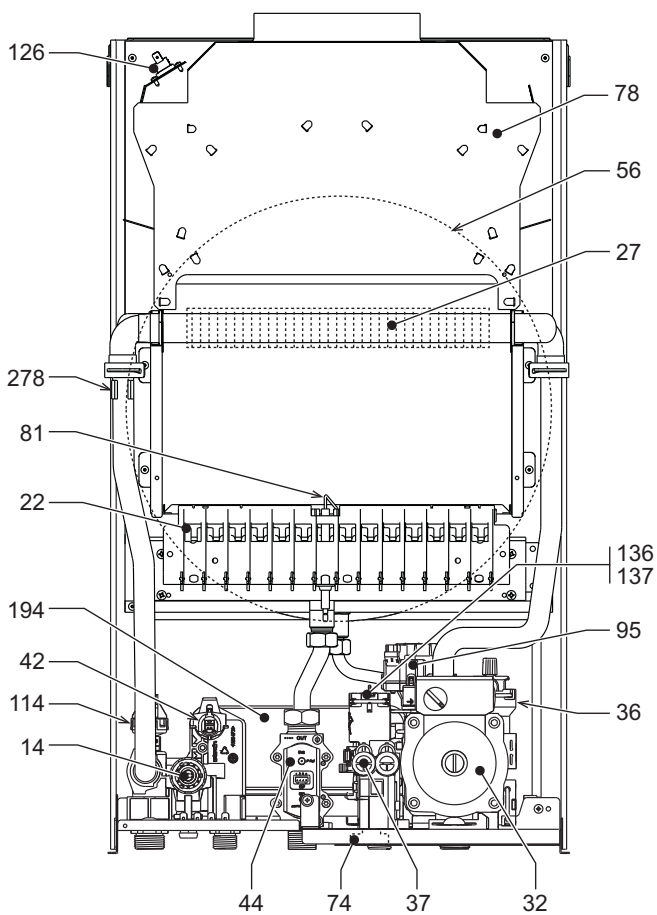


рис. 21- Общий вид - DIVAtech D C32

## 5.3 Гидравлический контур

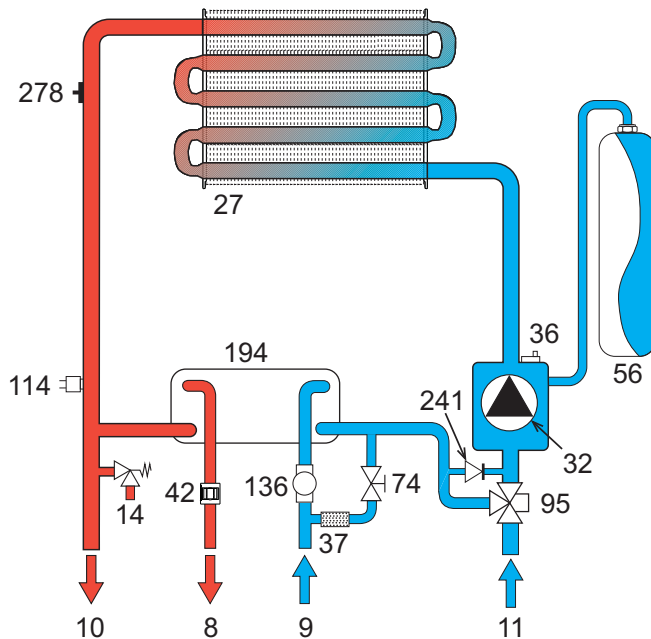


рис. 22- Контур отопления

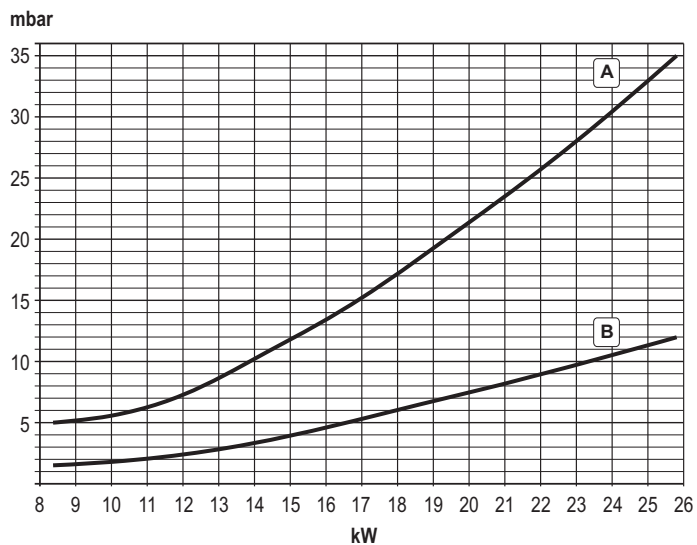
## 5.4 Таблица технических данных

Параметр	Единица измерения	DIVAtech D C24	DIVAtech D C32	
Макс. расход тепла	кВт	25.8	34.4	(Q)
Мин. теплопроизводительность	кВт	8.3	11.5	(Q)
Макс. тепловая мощность системы отопления	кВт	23.5	31.3	(P)
Мин. тепловая мощность системы отопления	кВт	7.0	9.7	(P)
Макс. тепловая мощность системы ГВС	кВт	23.5	31.3	
Мин. тепловая мощность системы ГВС	кВт	7.0	9.7	
КПД Rmax (80-60°C)	%	91.0	91.0	
КПД 30%	%	89.6	89.8	
Класс по выбросам NOx	-	3 (<150 mg/kWh)		(NOx)
Сопла горелки G20	шт. x диам.	11 x 1.35	15 x 1.35	
Давление подачи газа на G20	мбар	20.0	20.0	
Макс. давление газа в горелке (G20)	мбар	12.0	12.0	
Мин. давление газа в горелке (G20)	мбар	1.5	1.5	
Макс. расход газа на G20	м³/ч	2.73	3.64	
Мин. расход газа на G20	м³/ч	0.88	1.22	
Сопла горелки G31	шт. x диам.	11 x 0.79	15 x 0.79	
Давление подачи газа на G31	мбар	37	37	
Макс. давление газа в горелке (G31)	мбар	35.0	35.0	
Мин. давление газа в горелке (G31)	мбар	5.0	5.0	
Макс. расход газа на G31	кг/ч	2.00	2.69	
Мин. расход газа на G31	кг/ч	0.65	0.90	
Макс. рабочее давление в системе отопления	бар	3	3	(PMS)
Мин. рабочее давление в системе отопления	бар	0.8	0.8	
Макс. температура в системе отопления	°C	90	90	(tmax)
Объем воды в системе отопления	л	1.0	1.2	
Вместимость расширительного сосуда системы отопления	л	8	10	
Предварительное давление расширительного сосуда системы отопления	бар	1	1	
Макс. рабочее давление в системе ГВС	бар	9	9	(PMW)
Мин. рабочее давление в системе ГВС	бар	0.25	0.25	
Расход ГВС при Δt 25°C	л/мин	13.4	17.9	
Расход ГВС при Δt 30°C	л/мин	11.2	14.9	(D)
Класс защиты	IP	X5D	X5D	
Напряжение питания	В/Гц	230V/50Hz		
Потребляемая электрическая мощность	Вт	80	90	
Потребляемая электрическая мощность системы ГВС	Вт	80	90	
Порожний вес	кг	27	30	
Тип агрегата		B <sub>11BS</sub>		



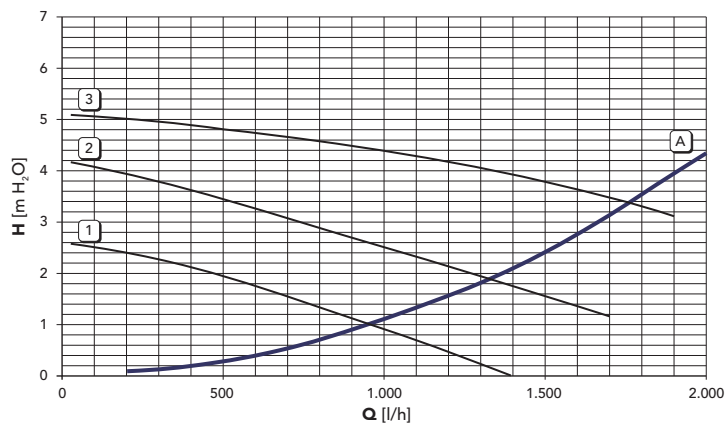
5.5 Диаграммы

Диаграммы давление - мощность DIVAtech D C24



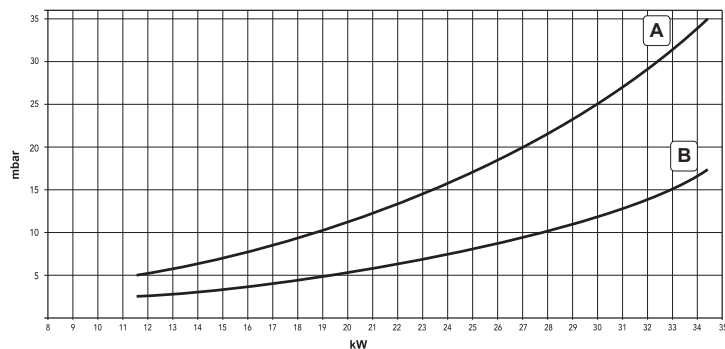
A = СНГ - B = МЕТАН

Потери нагрузки/напора циркуляционных насосов DIVAtech D C24



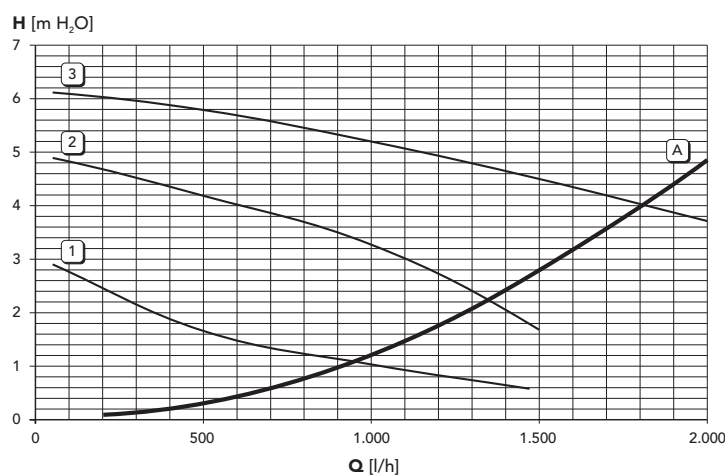
A = Потери нагрузки в котле - 1, 2 и 3 = Скорость циркуляционного насоса

Диаграммы давление - мощность DIVAtech D C32



A = СНГ - B = МЕТАН

Потери нагрузки/напора циркуляционных насосов DIVAtech D C32



A = Потери напора котла - 1, 2 и 3 = Скорость циркуляционного насоса

## 5.6 Электрическая схема

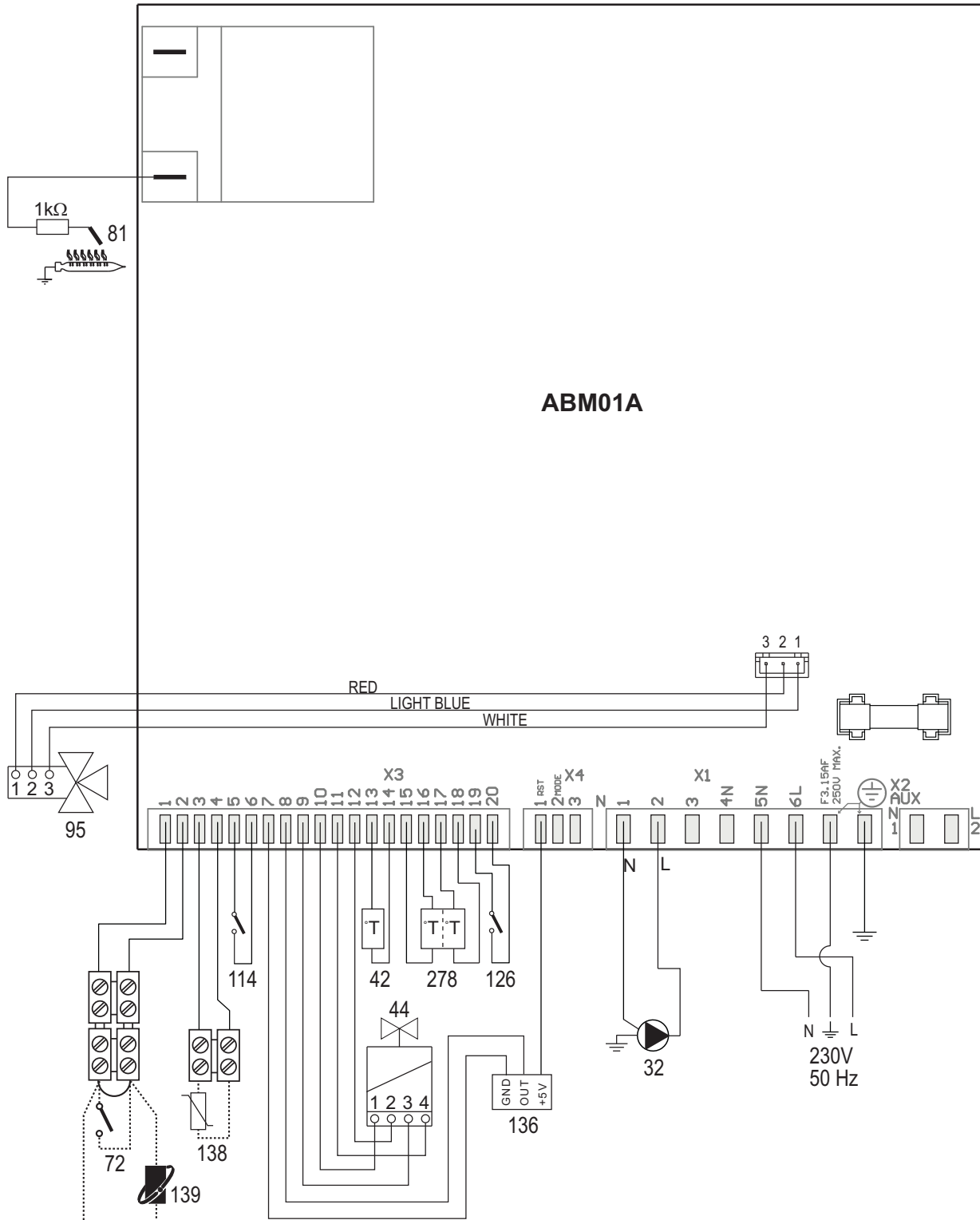


рис. 23- Электрическая схема

**Внимание:** Перед подключением комнатного термостата или устройства ДУ с таймером снимите перемычку на клеммнике.

- 32 Циркуляционный насос системы отопления
- 42 Датчик температуры воды в системе ГВС
- 44 Газовый клапан
- 72 Комнатный термостат (опция)
- 81 Поджигающий/следающий электрод
- 95 Распределительный клапан
- 114 Реле давления воды
- 126 Термостат температуры продуктов сгорания
- 136 Расходомер
- 138 Внешний датчик (опция)
- 139 Пульт дистанционного управления с таймером (опция)
- 278 Двойной датчик (предохранительный + температуры воды в системе отопления)

The logo features the word "ferroli" in a bold, lowercase, sans-serif font. A grey, curved graphic element arches over the top of the letters "e" and "r".

**ferroli**

**FERROLI S.p.A.**

Via Ritonda 78/a

37047 San Bonifacio - Verona - ITALY

[www.ferroli.com](http://www.ferroli.com)

Made in Italy - Fabriqué en Italie - Сделано в Италии