

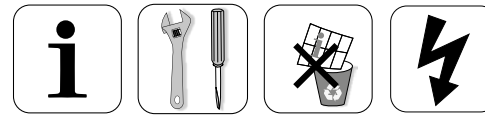


**SERIES 90**



**NO.1 IN HYDRONIC SYSTEM CONTROL**

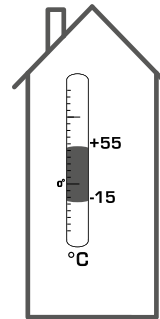
Mtrl.nr: 9814 01 50 • Ritn.nr: 3399 utg. H • Rev. 1512



**Series 90**

CE

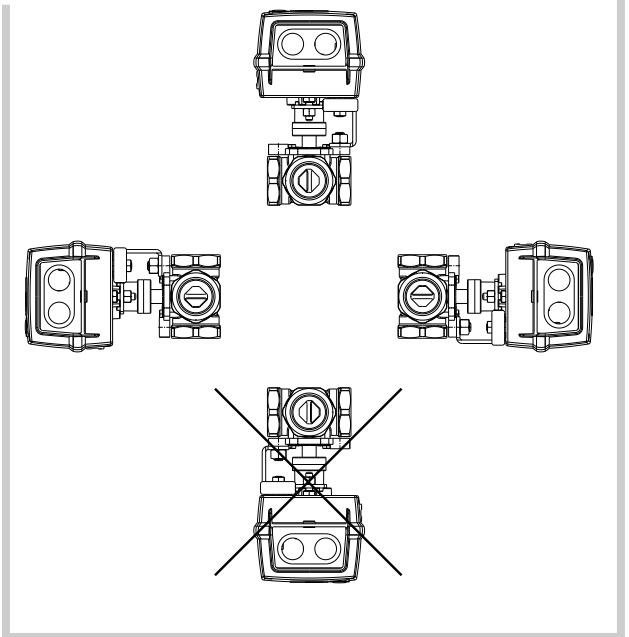
LVD 2006/95/EC valid until April 19th 2016  
 LVD 2014/35/EU valid from April 20th 2016  
 EMC 2004/108/EC valid until April 19th 2016  
 EMC 2014/30/EU valid from April 20th 2016  
 RoHS 2011/65/EU

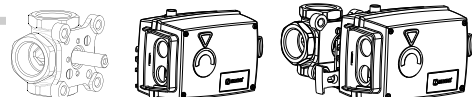


SERIES 90



**1**





SERIES 90  
ESBE  
BY HYDRAE SYSTEM CONTROL

+



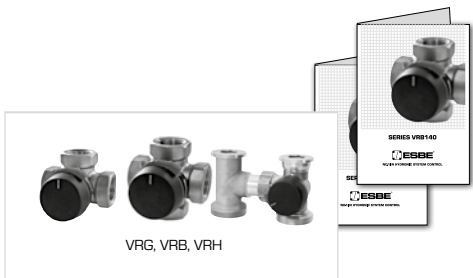
ADAPTER KIT VRG801



ADAPTER KIT VRG900

+

+



VRG, VRB, VRH



3G, 4G

3F, 4F

3MG, 4MG, 5MG

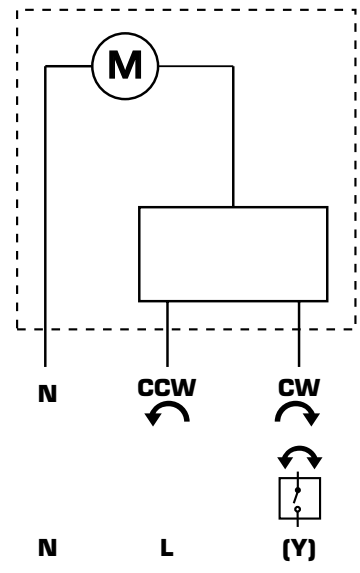
BIV

T, TM

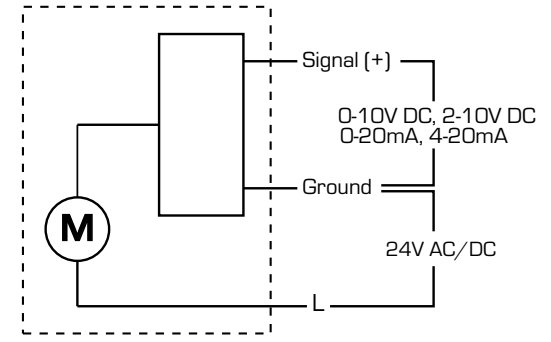
3HG, 4HG, 3H, 4H

# 2

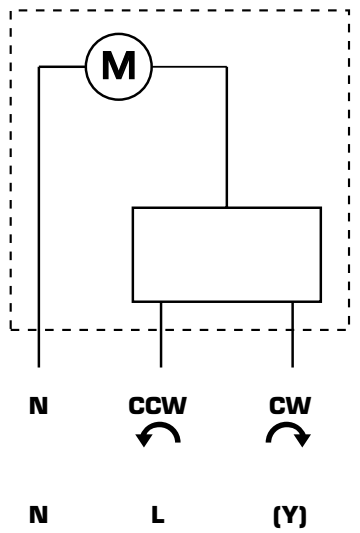
## 97 - 98



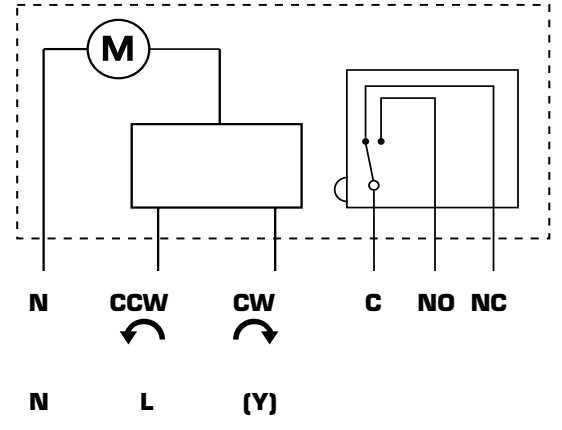
## 92P, 92P2, 92P4



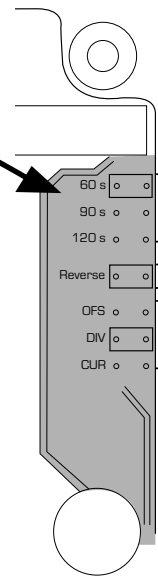
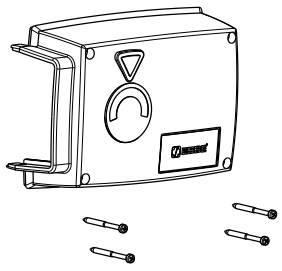
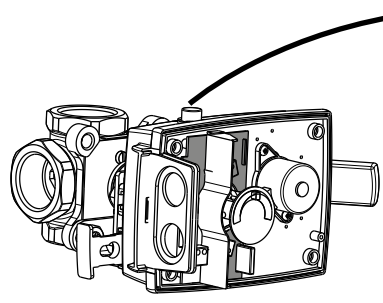
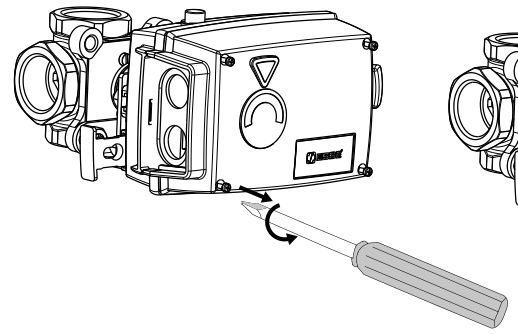
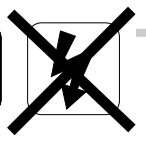
## 91 - 96, 90SL



## 91M - 96M



**i**



**i**

### 91P - 92P, 92P2, 92P4

92P	92P2	92P4	
60 s <input type="checkbox"/>	120 s <input type="checkbox"/>	130 s <input type="checkbox"/>	
90 s <input type="checkbox"/>	180 s <input type="checkbox"/>	260 s <input type="checkbox"/>	
120 s <input type="checkbox"/>	240 s <input type="checkbox"/>	390 s <input type="checkbox"/>	
60 s <input type="checkbox"/>	120 s <input type="checkbox"/>	130 s <input type="checkbox"/>	
90 s <input type="checkbox"/>	180 s <input type="checkbox"/>	260 s <input type="checkbox"/>	
120 s <input type="checkbox"/>	240 s <input type="checkbox"/>	390 s <input type="checkbox"/>	

	Reverse <input type="checkbox"/>	
	Reverse <input type="checkbox"/>	

0-20 mA	OFS <input type="checkbox"/>	
	DIV <input type="checkbox"/>	
	CUR <input type="checkbox"/>	

4-20 mA	OFS <input type="checkbox"/>	
	DIV <input type="checkbox"/>	
	CUR <input type="checkbox"/>	

0-10 V	OFS <input type="checkbox"/>	
	DIV <input type="checkbox"/>	
	CUR <input type="checkbox"/>	

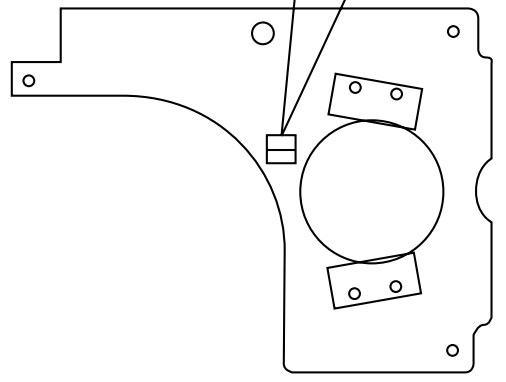
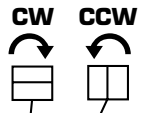
2-10 V	OFS <input type="checkbox"/>	
	DIV <input type="checkbox"/>	
	CUR <input type="checkbox"/>	

0-5 V	OFS <input type="checkbox"/>	
	DIV <input type="checkbox"/>	
	CUR <input type="checkbox"/>	

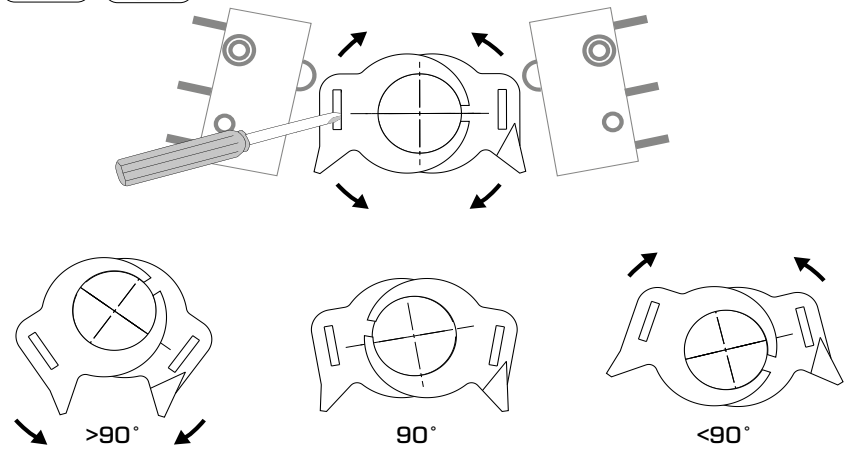
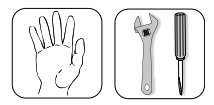
1-5 V	OFS <input type="checkbox"/>	
	DIV <input type="checkbox"/>	
	CUR <input type="checkbox"/>	

**i**

### 97 - 98

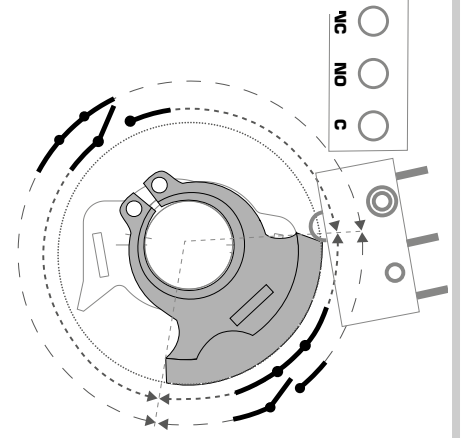


**i**



**i**

### 91M-96M, 95-270M



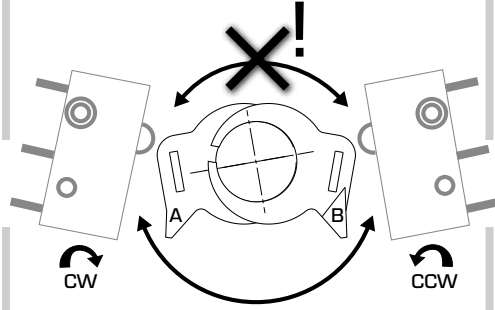
NC ---  
NO - - -



91-96, 91M-96M,  
90SL, 97-98



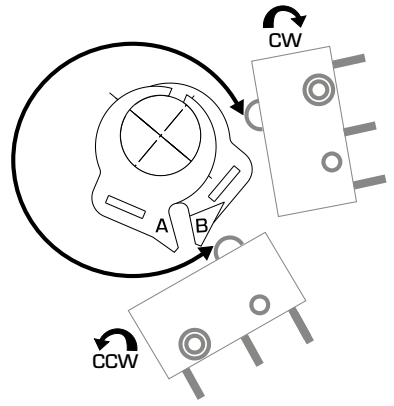
(▷) 90°



95-270M



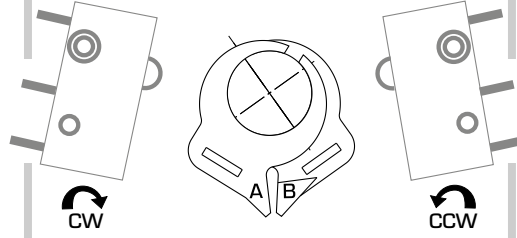
(▷) 270°



92P2



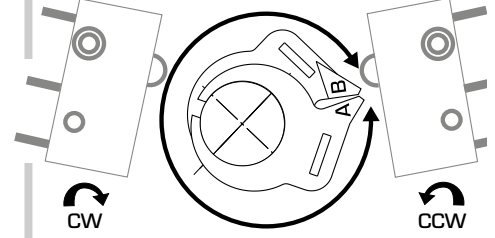
(▷) 180



92P4



(▷) 355°



6

