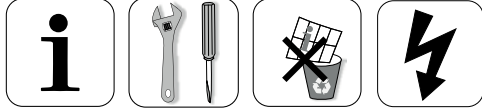


ESBE

SERIES CRA, CRB, CRC, CRD, CRS



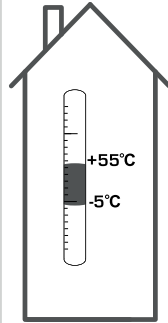
Series CRA110, CRA140, CRA150
 Series CRB100
 Series CRC110, CRC140
 Series CRD100
 Series CRS130

LVD 2014/35/EU
 EMC 2014/30/EU
 RoHS 2011/65/EU
 RED 2014/53/EU
 EN 300220-2

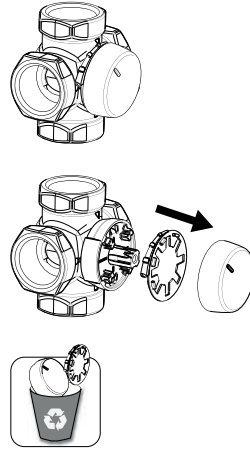


DECLARATION OF CONFORMITY
<http://www.esbe.eu/global/en/support/download-documents> (Certificates)

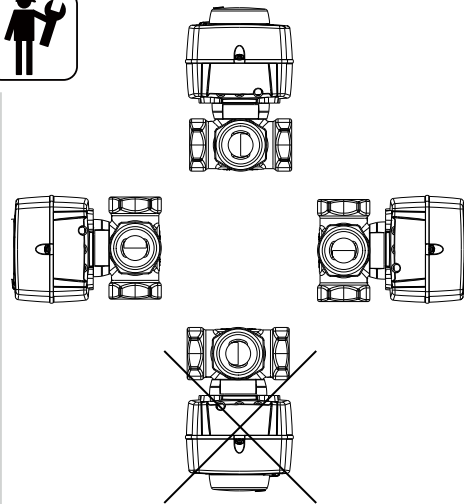
i



1



2

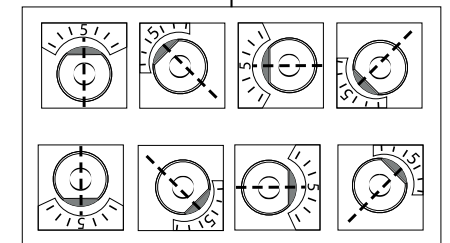
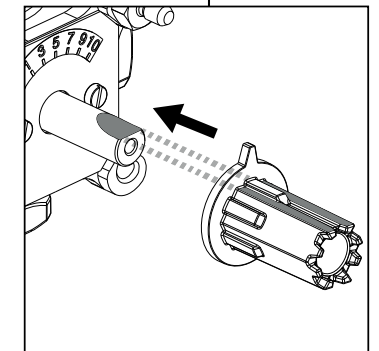
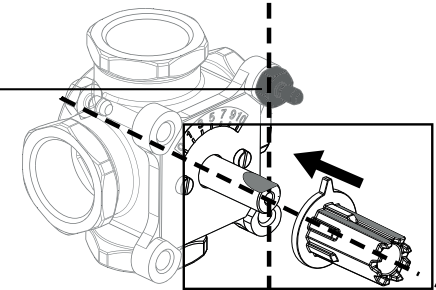


3



MG, G, F, H, HG, BIV, T, TM

	DN15-25	
	DN20-40	
	DN50	
	DN20-25	
	DN32-50	
	H: DN25	
	H: DN32-50	
	HG: DN25	
	DN20-22	
	DN25	
	T: DN20-32	
	TM: DN20	



i



CRA110, CRA140, CRA150
 CRB100
 CRC110, CRC140
 CRD100
 CRS130



VRG, VRB, VRH

3MG, 4MG



3G, 4G

3F, 4F ≤ DN50

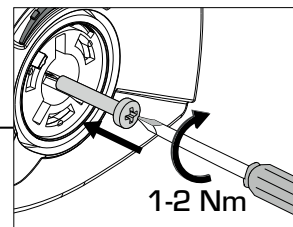
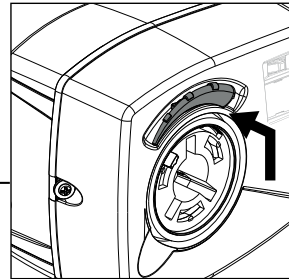
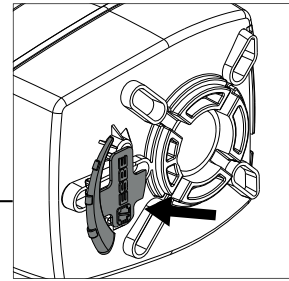
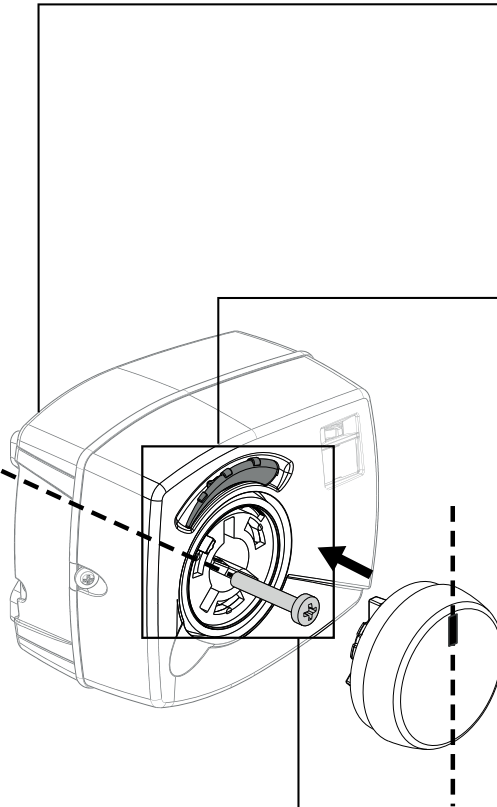
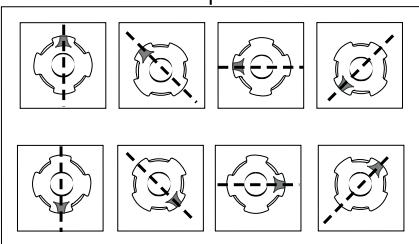
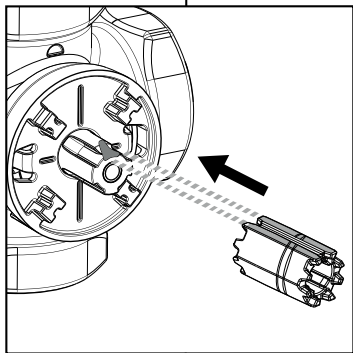
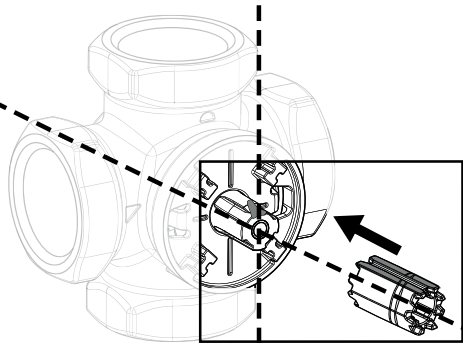
3HG, 4HG, 3H, 4H



BIV

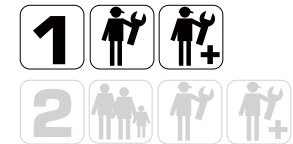
T, TM

**VRG130, VRG140,
VRG230, VRG330
VRB140, VRH130**



ESBE®
www.esbe.eu

Mtr.nr: 98140403 • Rit.nr: 8308 utg. E • Rev. 1710



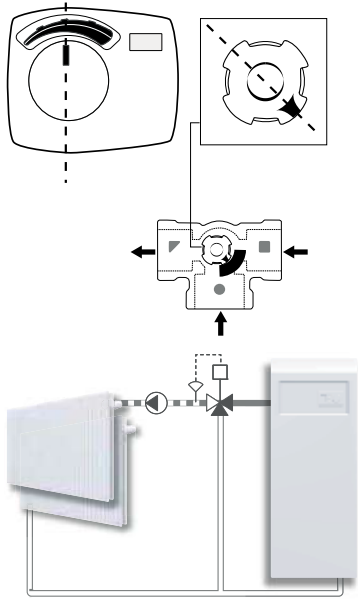
SERIES
**CRA110, CRA140, CRA150, CRB100,
CRC110, CRC140, CRD100, CRS130**

ESBE®

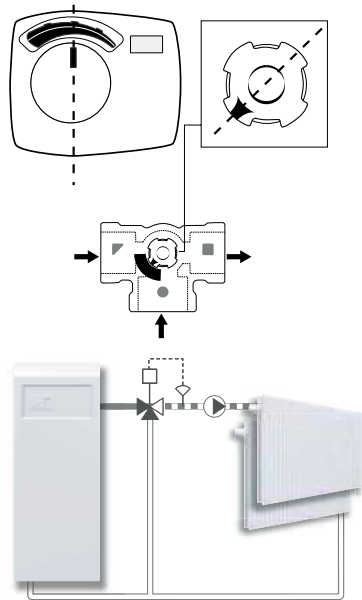
NO.1 IN HYDRONIC SYSTEM CONTROL

SERIES VRG130

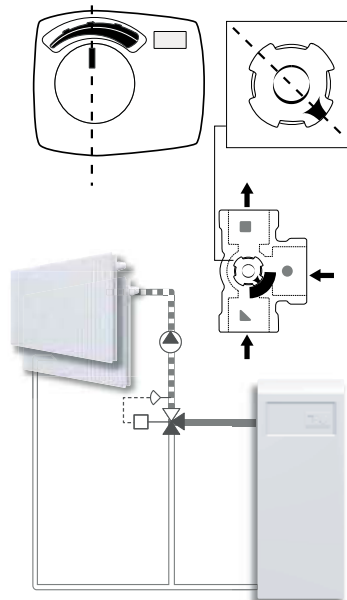
a



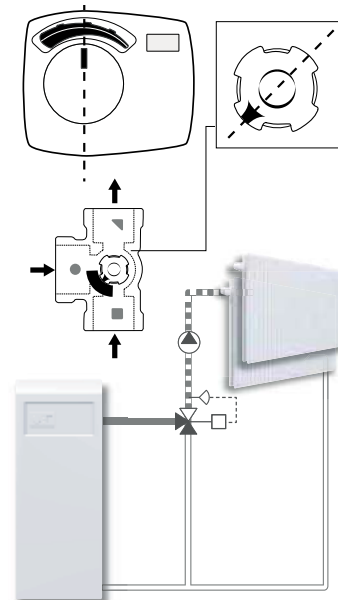
b



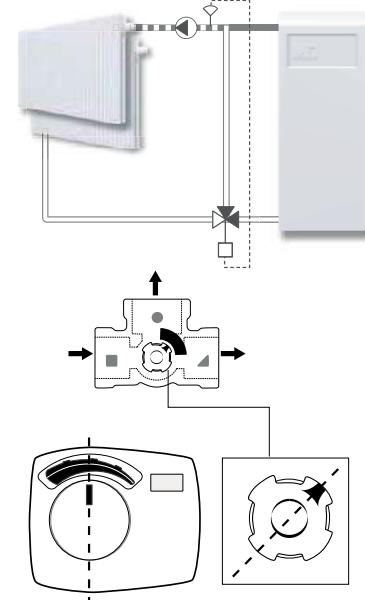
c



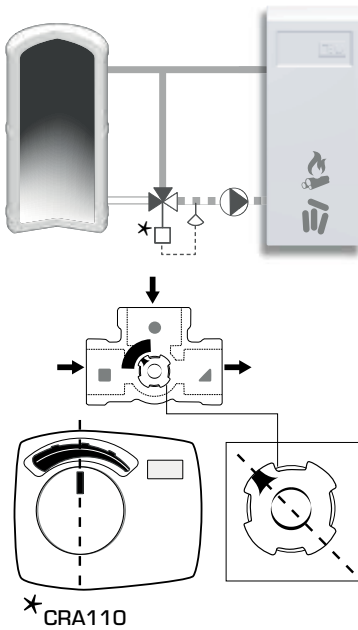
d



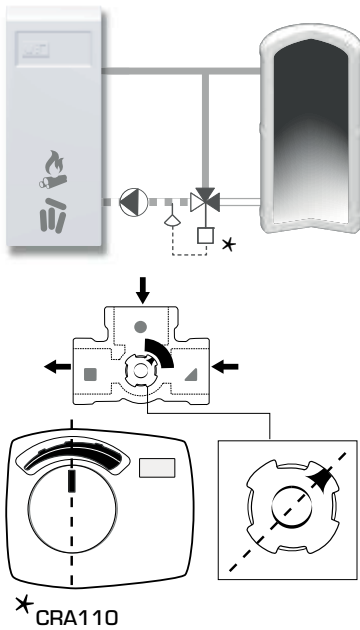
e



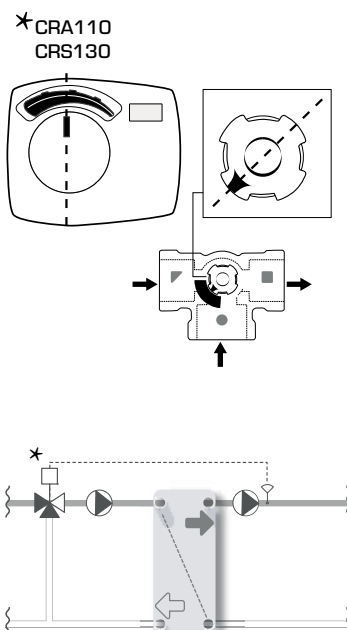
k



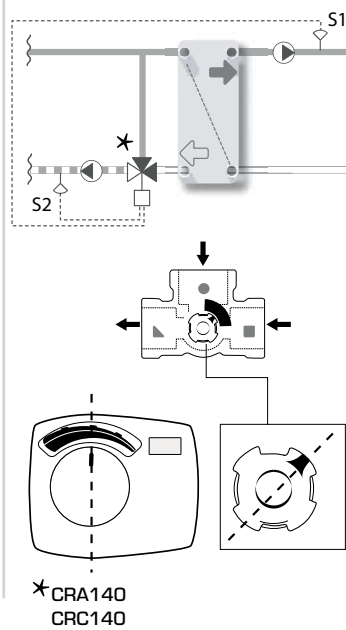
l



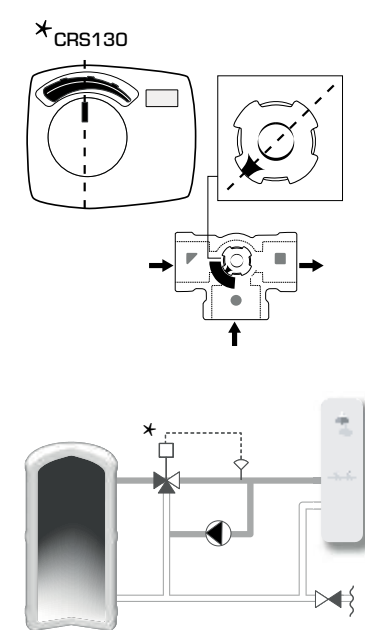
m

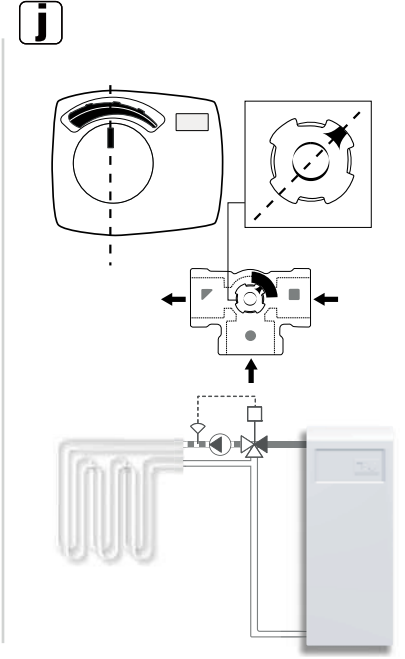
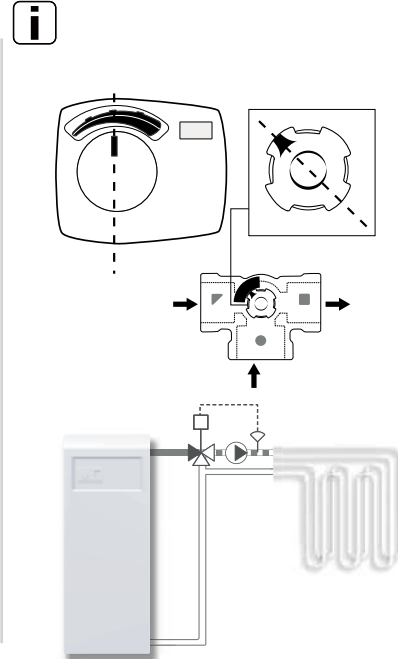
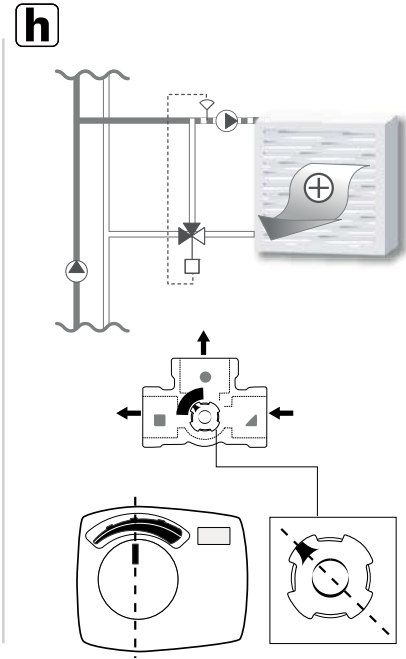
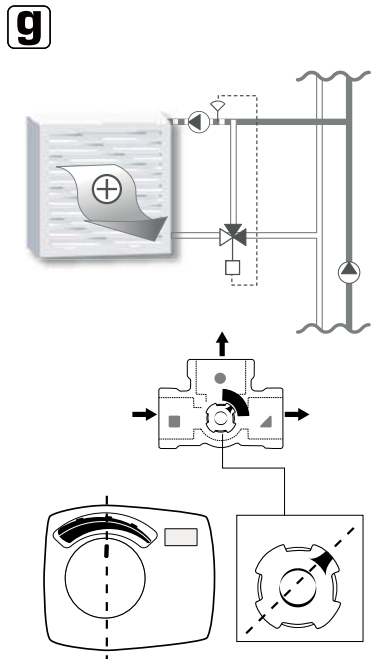
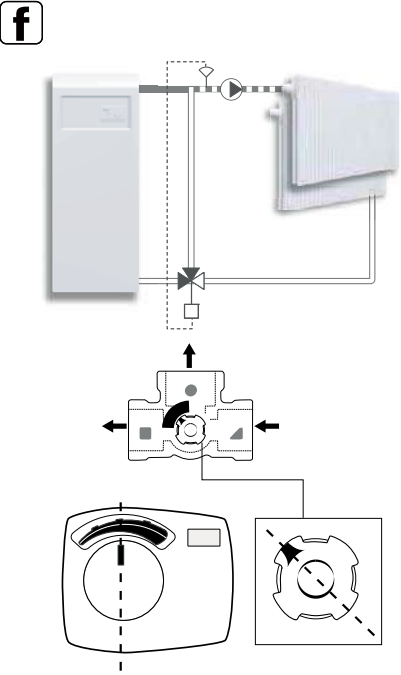


n

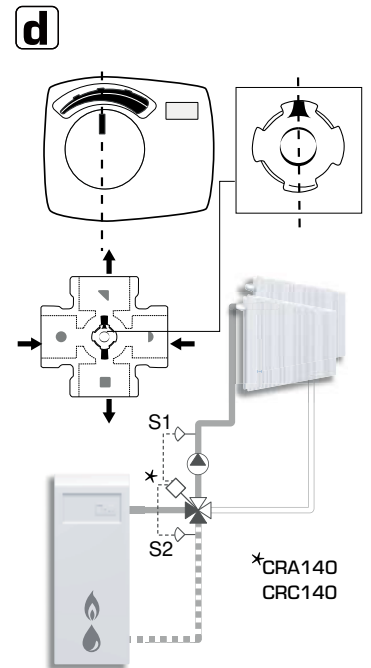
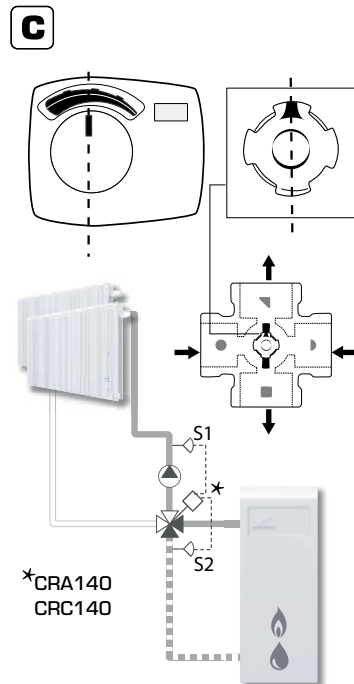
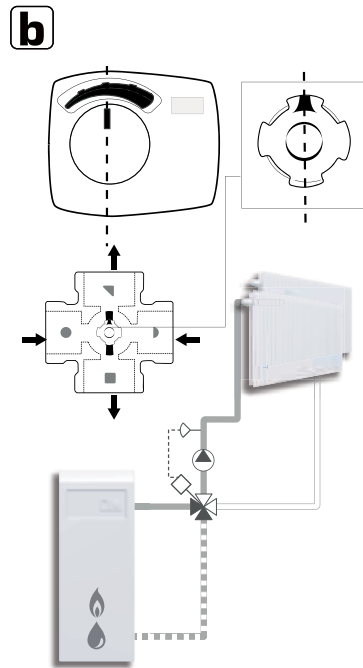
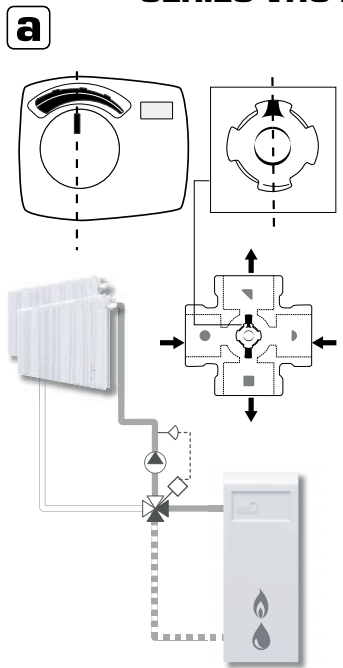


o

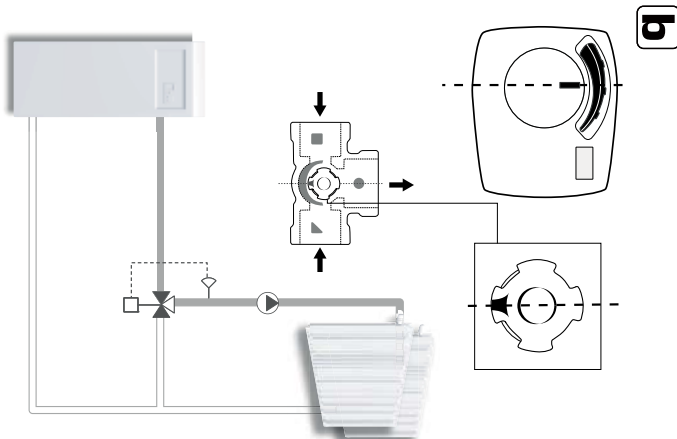
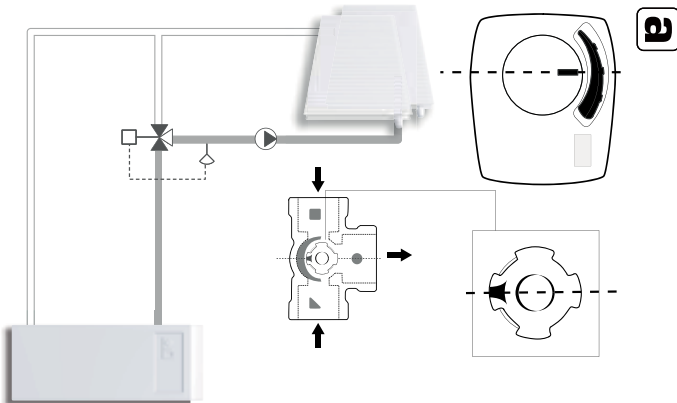




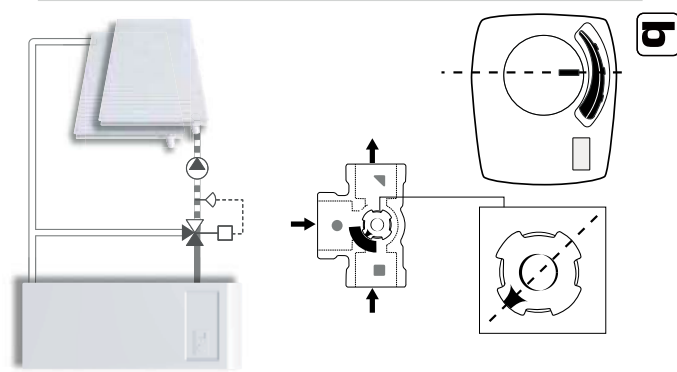
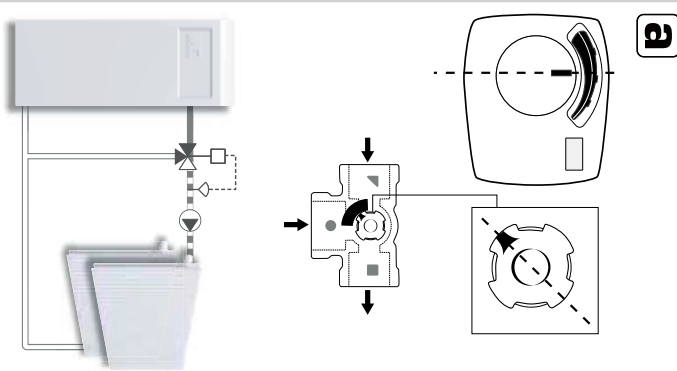
SERIES VRG140



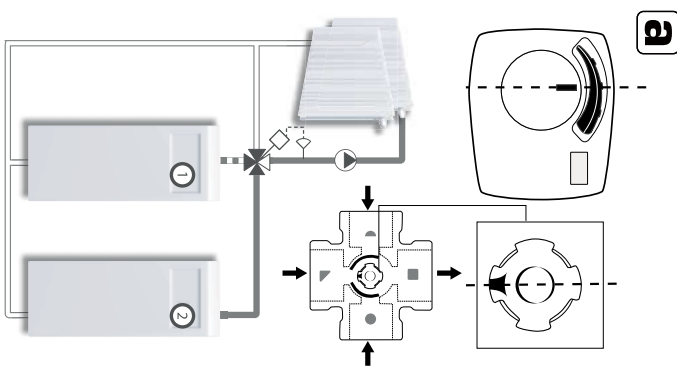
SERIES VRG230



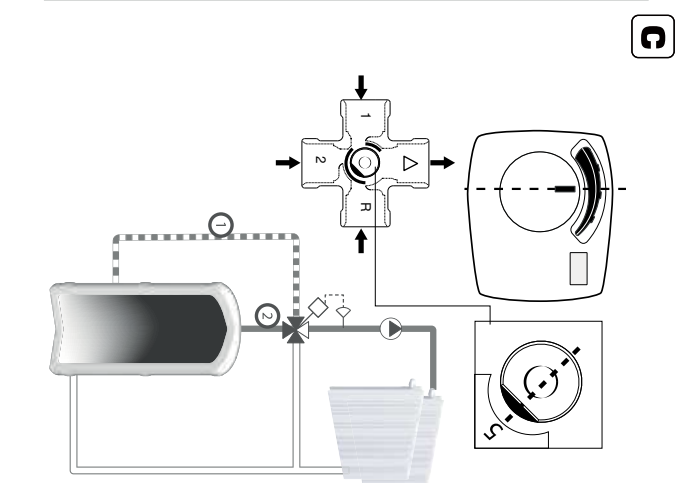
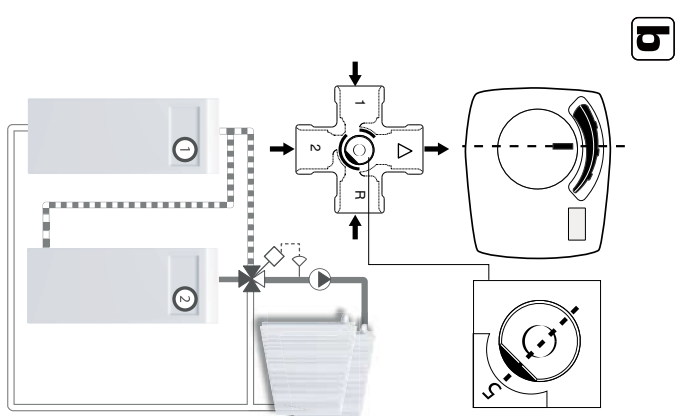
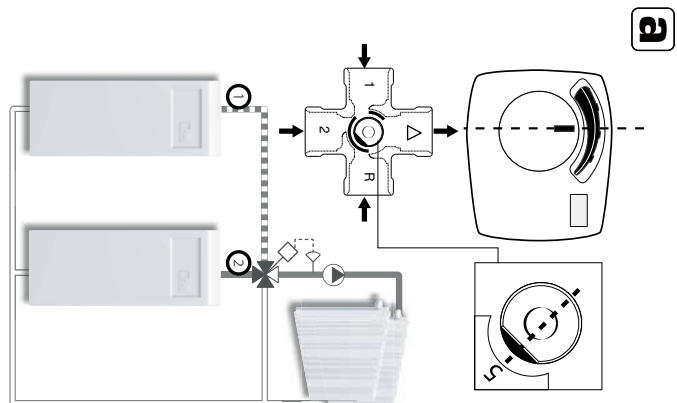
SERIES VRG330



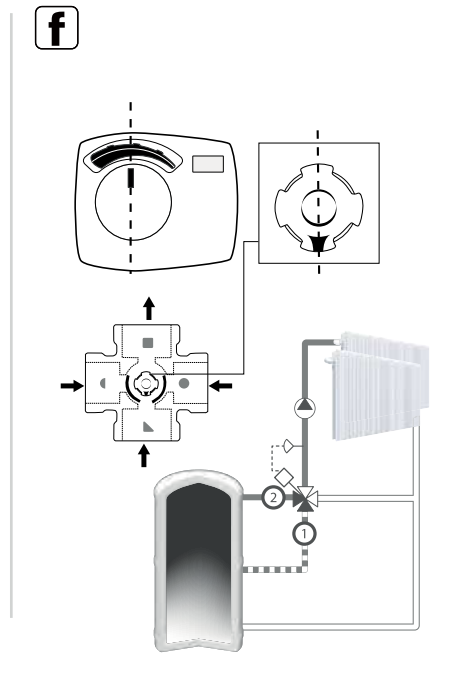
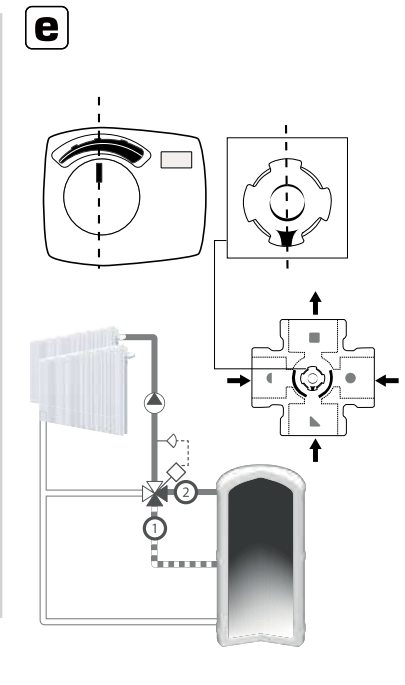
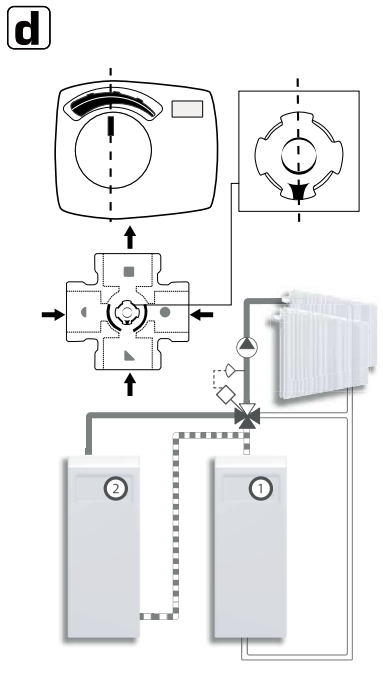
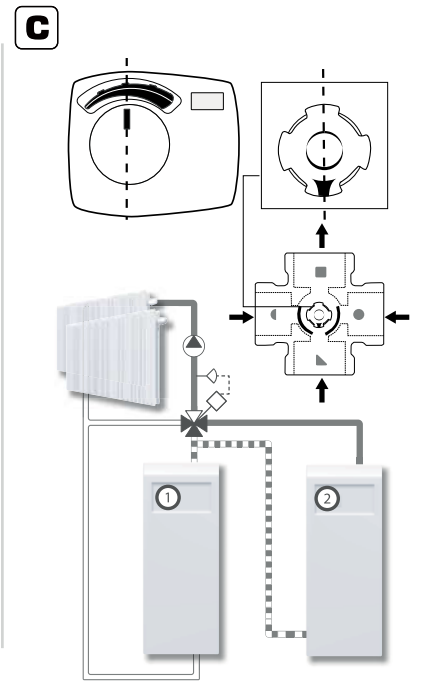
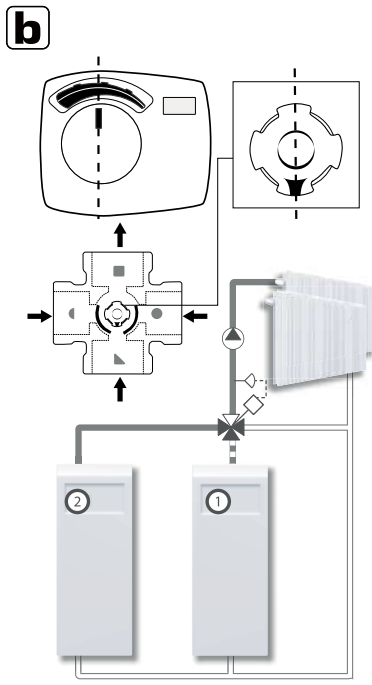
SERIES VRB140



SERIES BIV

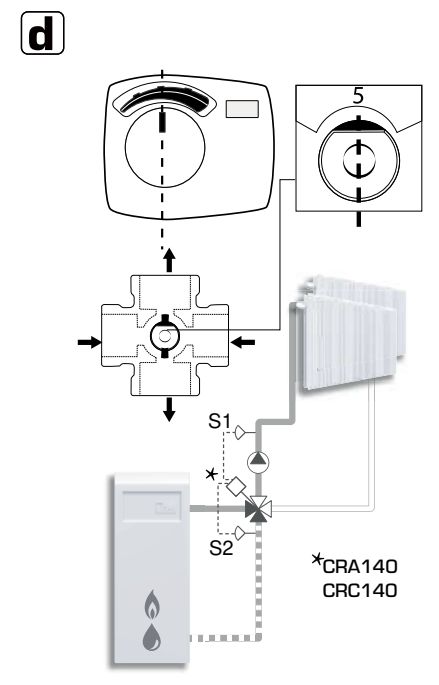
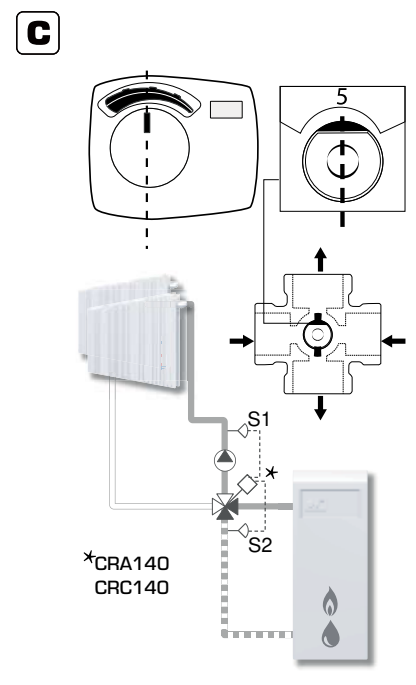
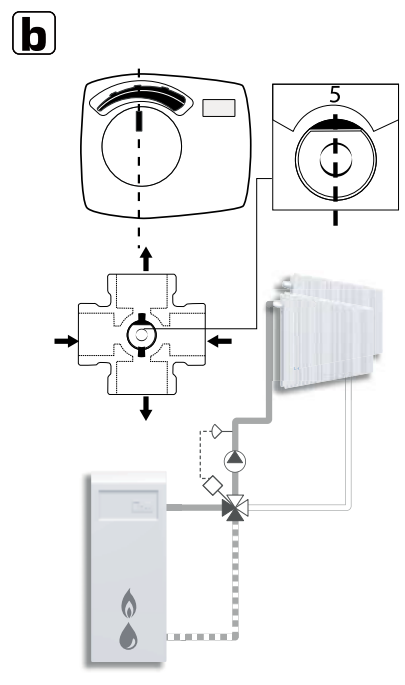
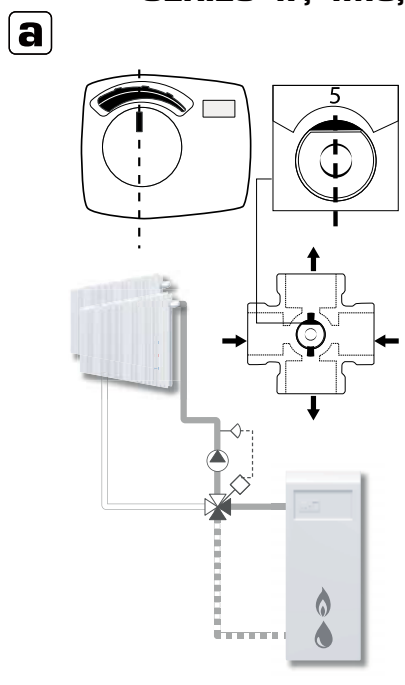


"We would like to pinpoint to the existence of a German patent, DE 19821256C5 affecting the usage of bivalent 4-way valves in liquid circulation heating systems. In this patent the usage of a 4-way bivalent valve in a type of heating system is protected, in which 2 different heating circuits are operated in parallel, where the return of the first circuit is utilized as heat source for the parallel second heat circuit. A typical application would be a primary heat circuit with a heat source and a parallel floor heating, where the floor heating in a regulated manner is heated through its heat source and the return from the primary heat circuit is utilized as alternative secondary heat source for the floor heating. Such a utilization of our bivalent 4-way valve without approval of the patent holder is forbidden. All other applications our product group VRB are without restrictions possible."



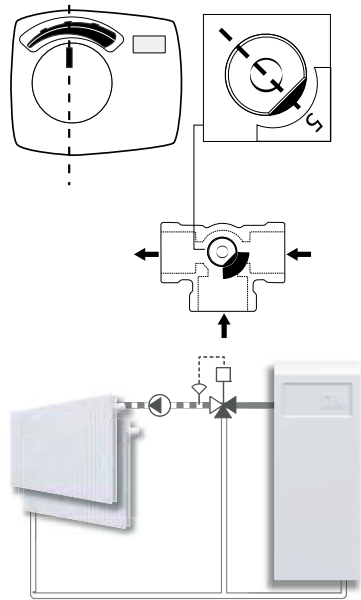
SERIES VRB140

SERIES 4F, 4MG, 4G

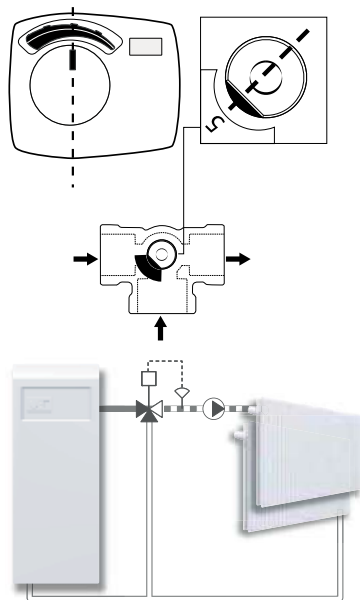


SERIES 3F, 3MG, 3G

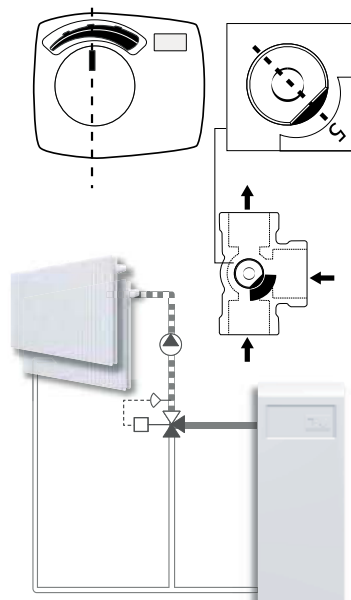
a



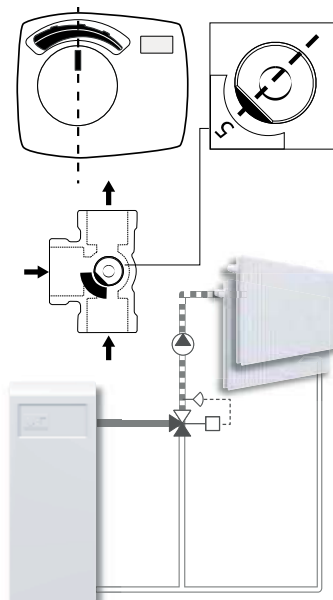
b



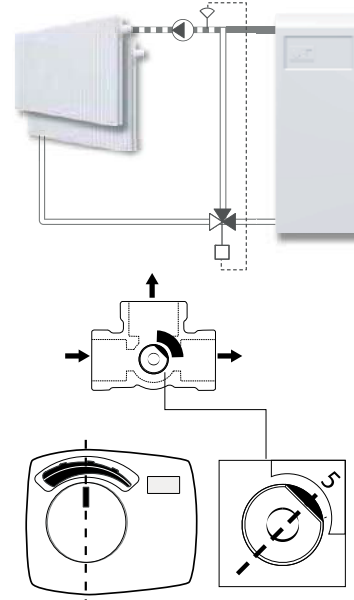
c



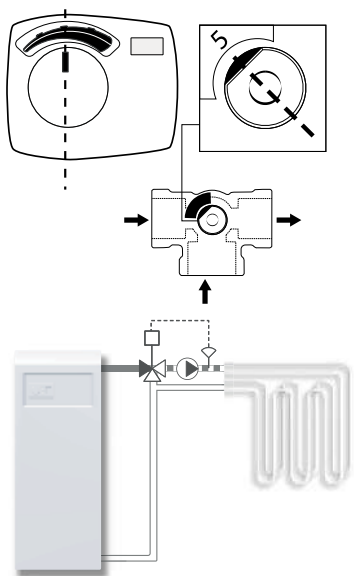
d



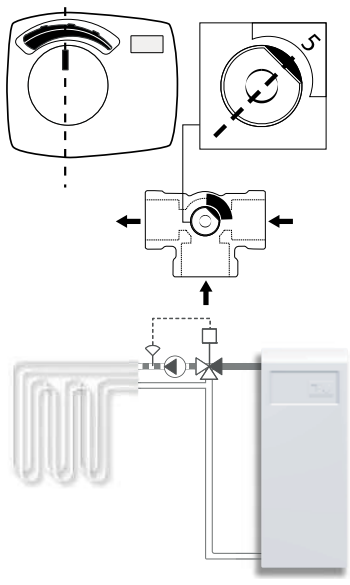
e



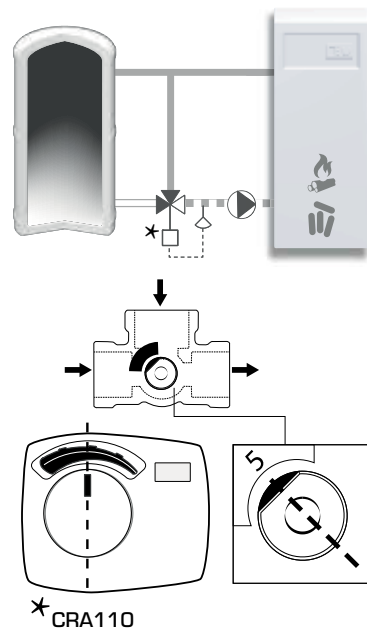
k



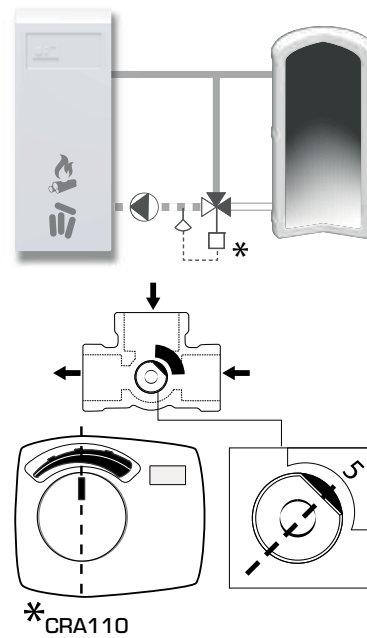
l



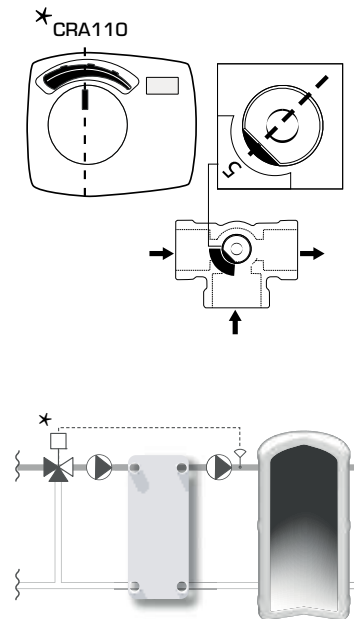
m

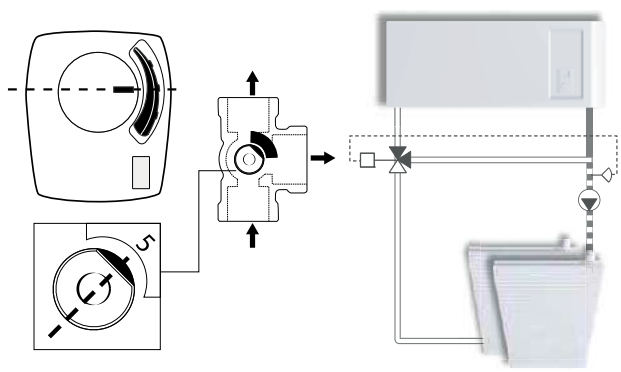
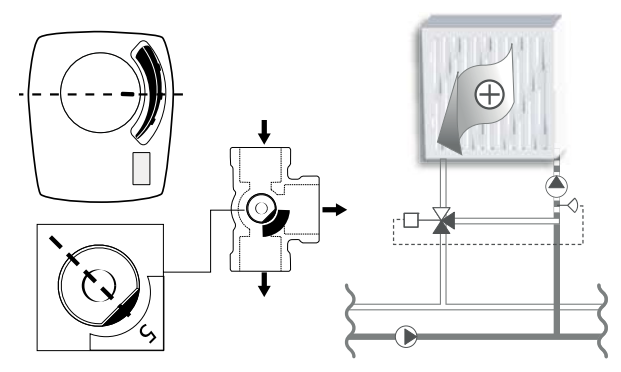
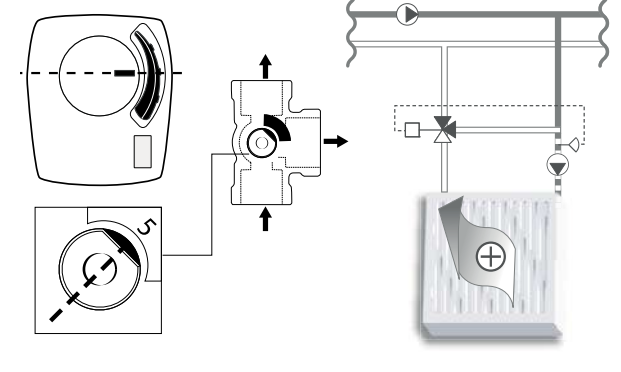
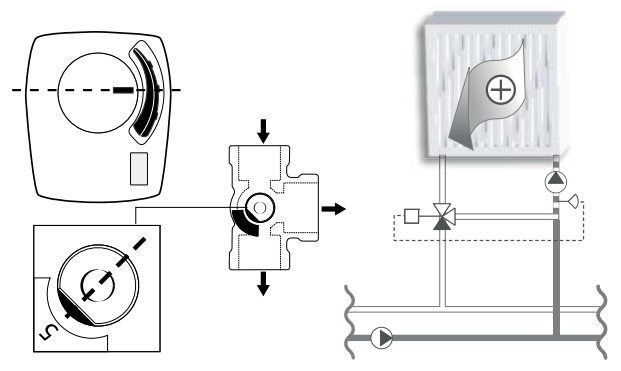
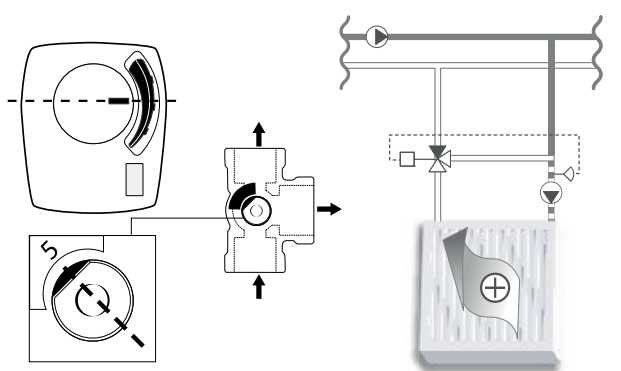
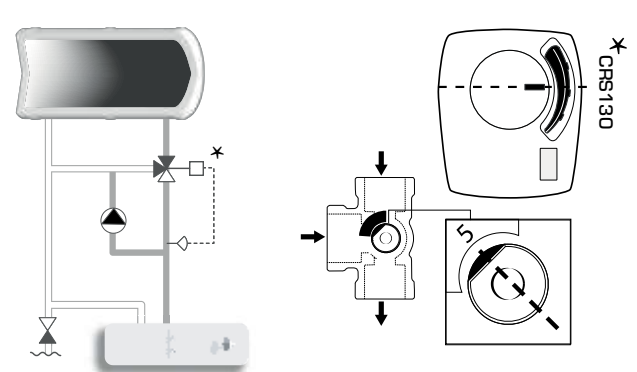


n

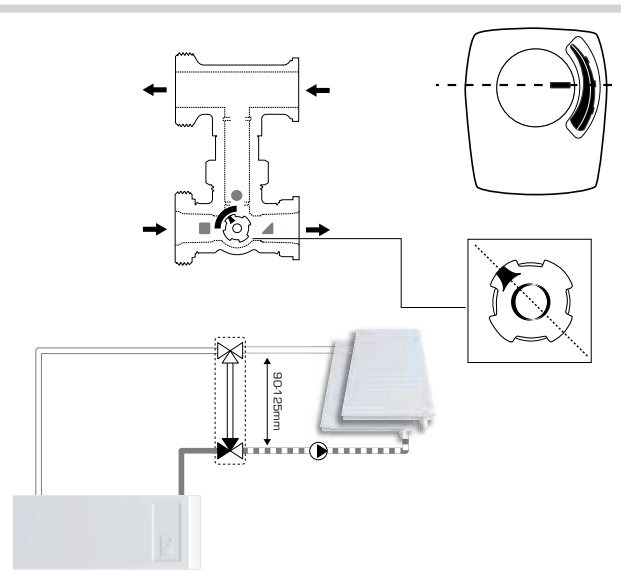
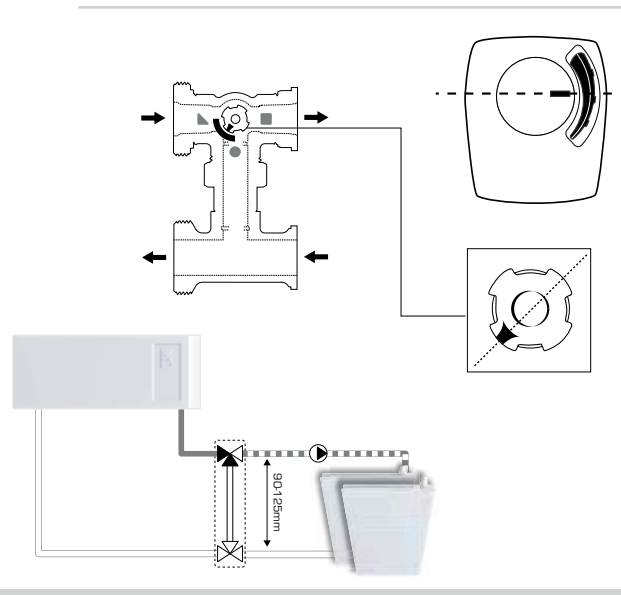


o



f**g****h****i****j****SERIES 3F, 3MG, 3G****p**

* CR6130

SERIES 3F, 3MG, 3G**a****b***Piping Schematics are General Representations***i**