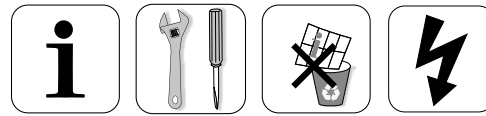




SERIES 90

ESBE
NO.1 IN HYDRONIC SYSTEM CONTROL

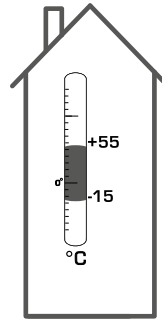
Mtrl.nr: 9814 01 50 • Ritn.nr: 3399 utg. H • Rev. 1512



Series 90

CE

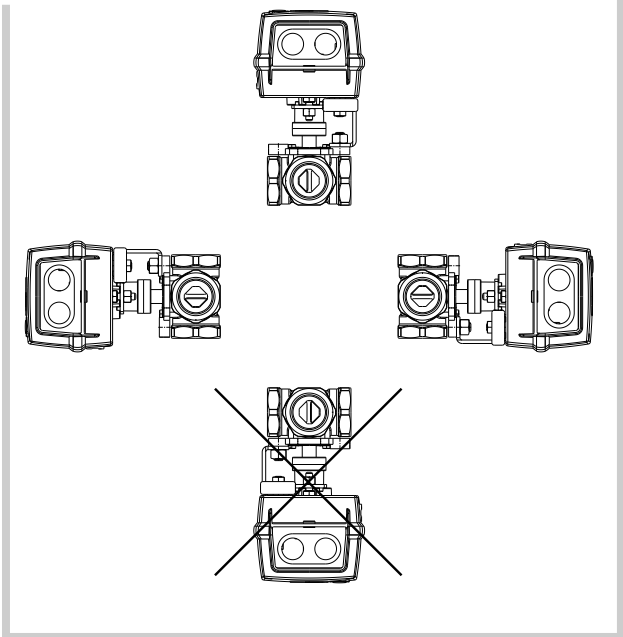
LVD 2006/95/EC valid until April 19th 2016
 LVD 2014/35/EU valid from April 20th 2016
 EMC 2004/108/EC valid until April 19th 2016
 EMC 2014/30/EU valid from April 20th 2016
 RoHS 2011/65/EU

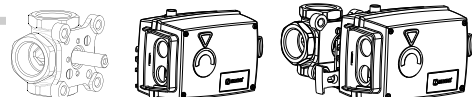


SERIES 90



1



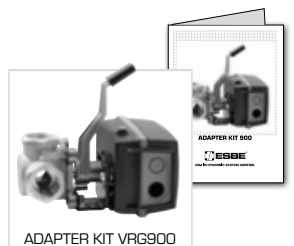


SERIES 90
ESBE
BY HYDRAE SYSTEM CONTROL

+



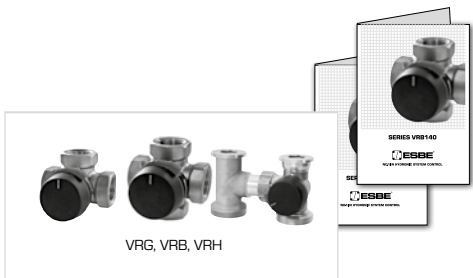
ADAPTER KIT VRG801



ADAPTER KIT VRG900

+

+



VRG, VRB, VRH



3G, 4G

3F, 4F

3MG, 4MG, 5MG

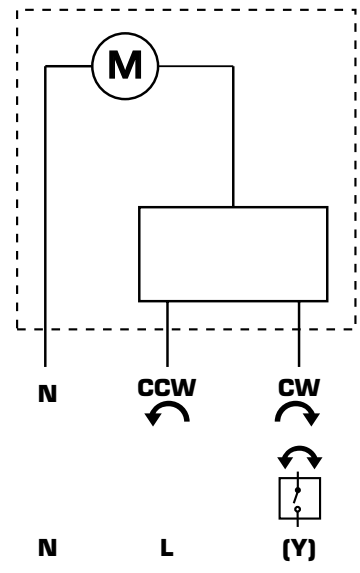
BIV

T, TM

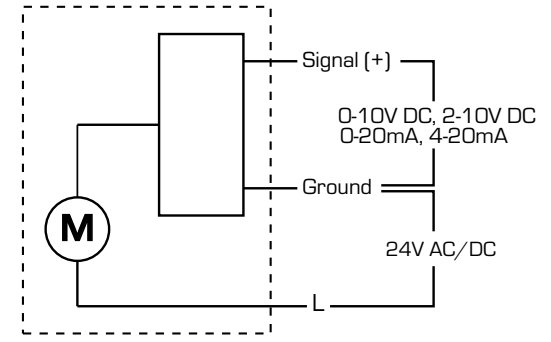
3HG, 4HG, 3H, 4H

2

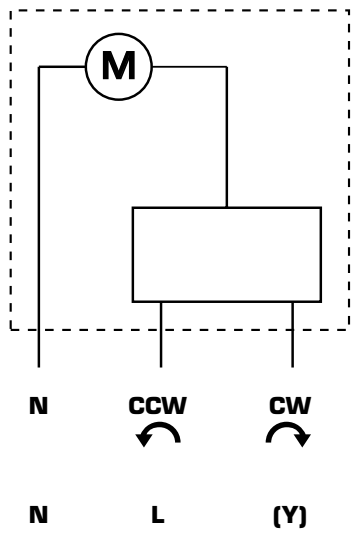
97 - 98



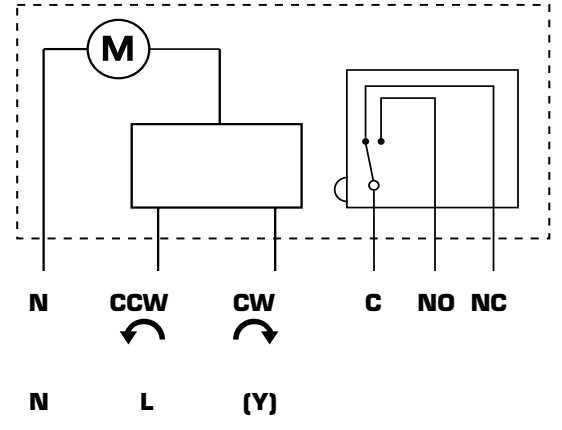
92P, 92P2, 92P4

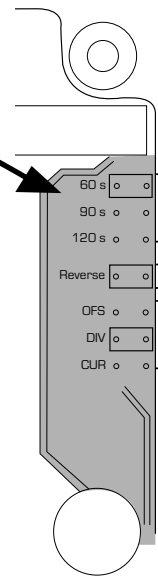
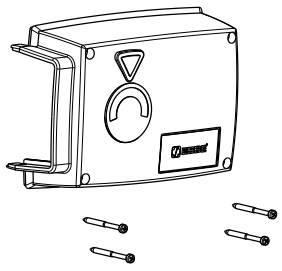
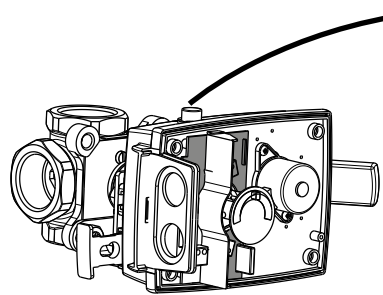
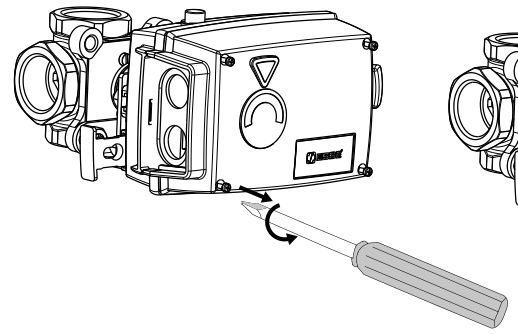
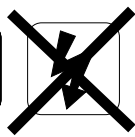


91 - 96, 90SL



91M - 96M





91P - 92P, 92P2, 92P4

92P	92P2	92P4
60 s <input type="checkbox"/>	120 s <input type="checkbox"/>	130 s <input type="checkbox"/>
90 s <input type="checkbox"/>	180 s <input type="checkbox"/>	260 s <input type="checkbox"/>
120 s <input type="checkbox"/>	240 s <input type="checkbox"/>	390 s <input type="checkbox"/>
60 s <input type="checkbox"/>	120 s <input type="checkbox"/>	130 s <input type="checkbox"/>
90 s <input type="checkbox"/>	180 s <input type="checkbox"/>	260 s <input type="checkbox"/>
120 s <input type="checkbox"/>	240 s <input type="checkbox"/>	390 s <input type="checkbox"/>

	Reverse <input type="checkbox"/>
	Reverse <input type="checkbox"/>

0-20 mA	OFS <input type="checkbox"/>
	DIV <input type="checkbox"/>
	CUR <input type="checkbox"/>

4-20 mA	OFS <input type="checkbox"/>
	DIV <input type="checkbox"/>
	CUR <input type="checkbox"/>

0-10 V	OFS <input type="checkbox"/>
	DIV <input type="checkbox"/>
	CUR <input type="checkbox"/>

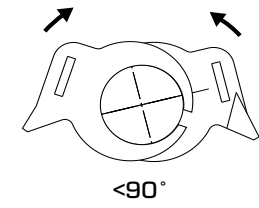
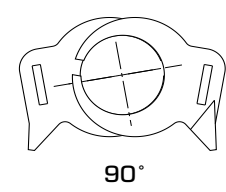
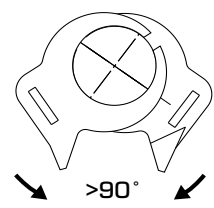
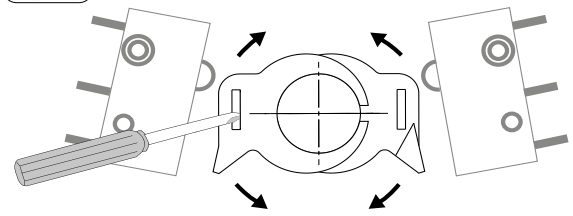
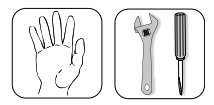
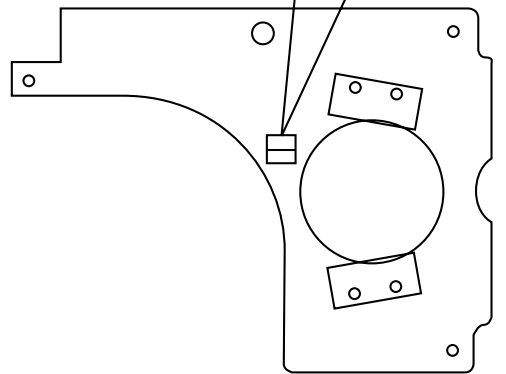
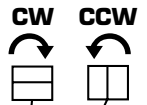
2-10 V	OFS <input type="checkbox"/>
	DIV <input type="checkbox"/>
	CUR <input type="checkbox"/>

0-5 V	OFS <input type="checkbox"/>
	DIV <input type="checkbox"/>
	CUR <input type="checkbox"/>

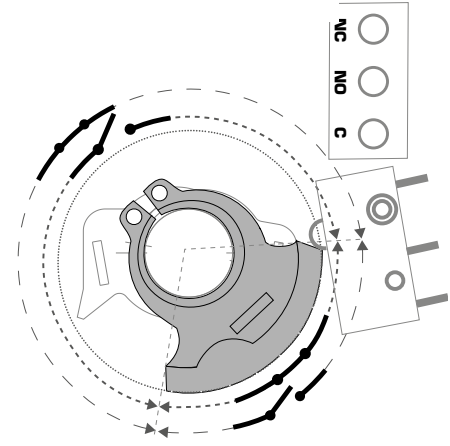
1-5 V	OFS <input type="checkbox"/>
	DIV <input type="checkbox"/>
	CUR <input type="checkbox"/>



97 - 98



91M-96M, 95-270M



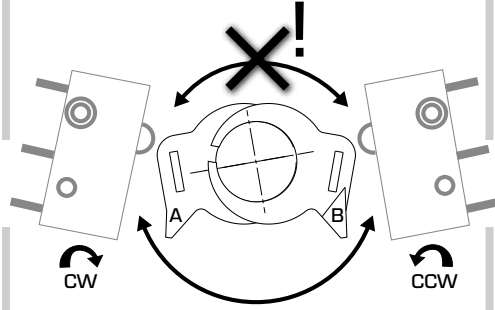
NC ---
NO - - - - -



91-96, 91M-96M,
90SL, 97-98



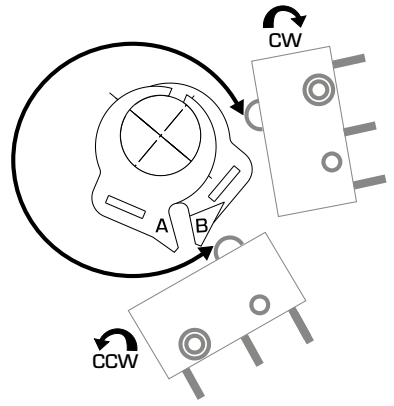
(▷) 90°



95-270M



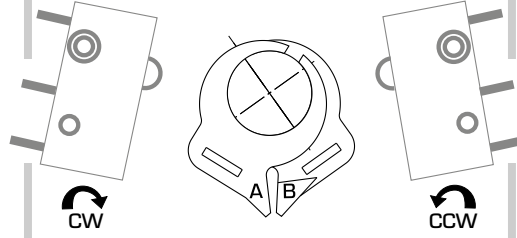
(▷) 270°



92P2



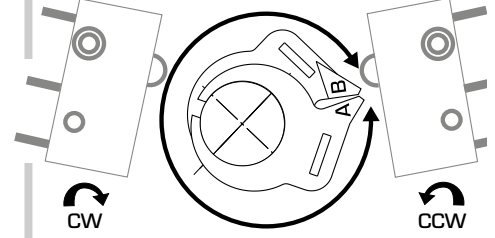
(▷) 180



92P4



(▷) 355°



6

