



www.esbe.se

Mtrl.nr.9814 02 99 • Ritn.nr. 9145 utg. A • Rev. 0711



**SERIES LTC100**

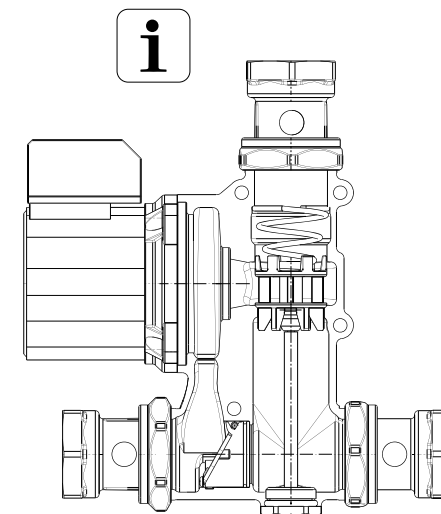
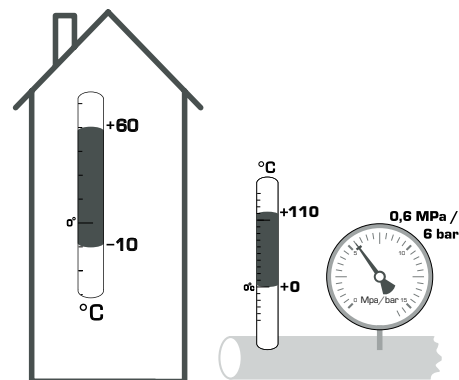


**NO.1 IN HYDRONIC SYSTEM CONTROL**

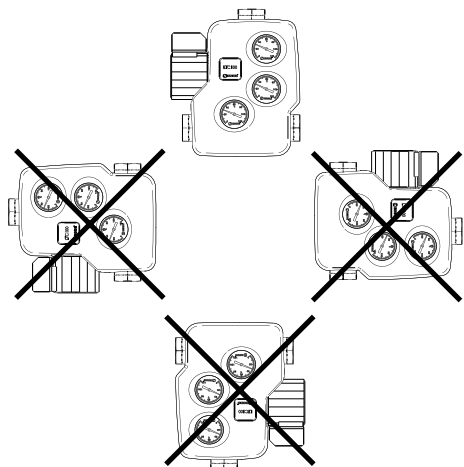


Series LTC141  
Series LTC143  
Series LTC171

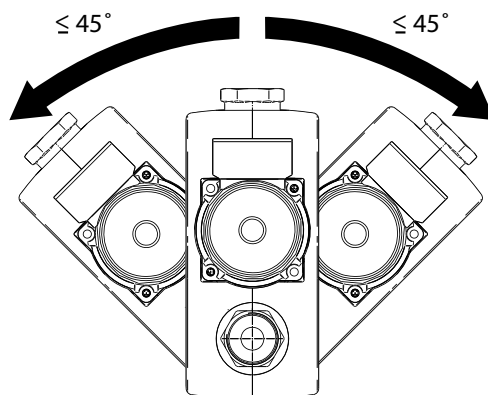
CE  
LVD 73/23/EEC  
EMC 89/336/EEC  
PED



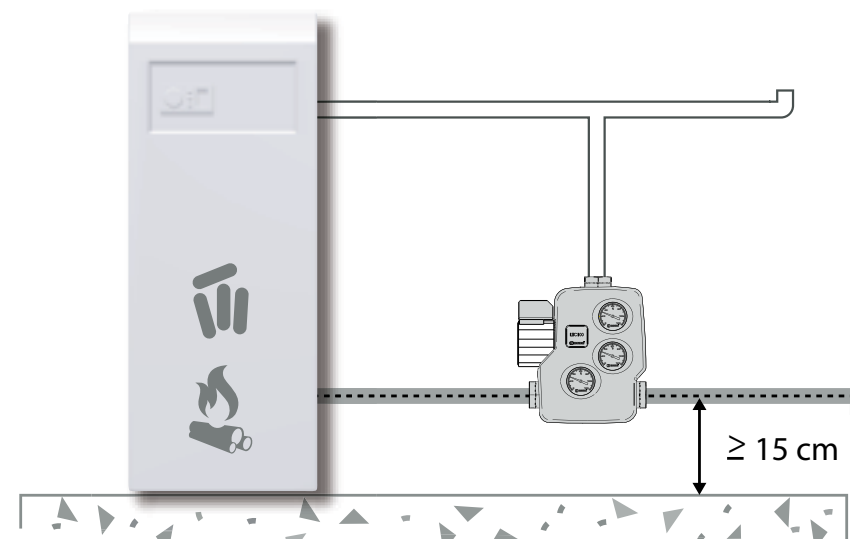
1



2



3

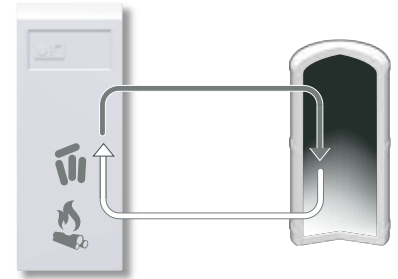
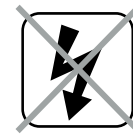
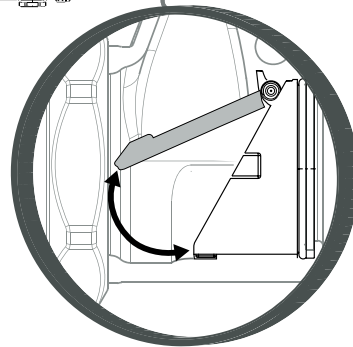
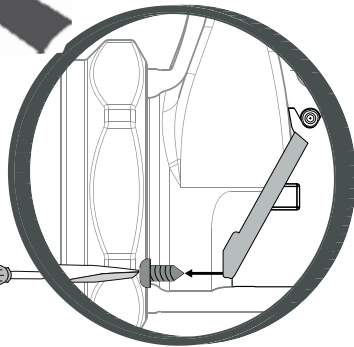
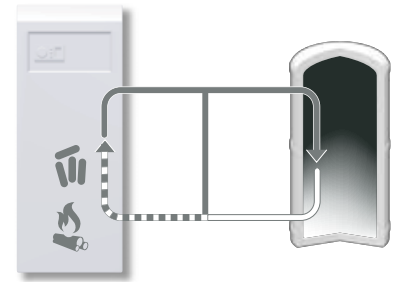
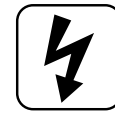
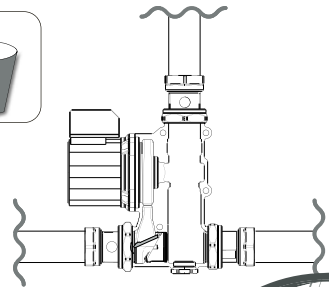
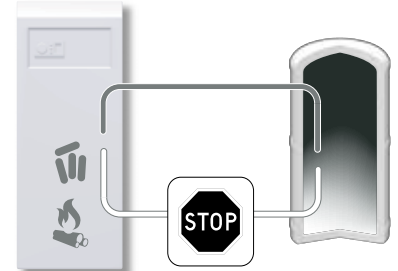
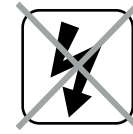
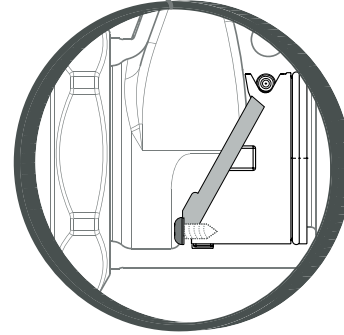
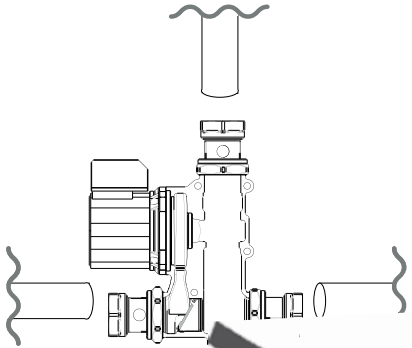
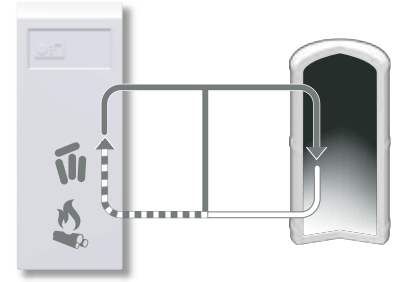
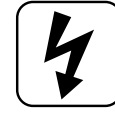
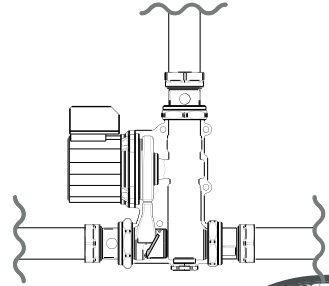


4

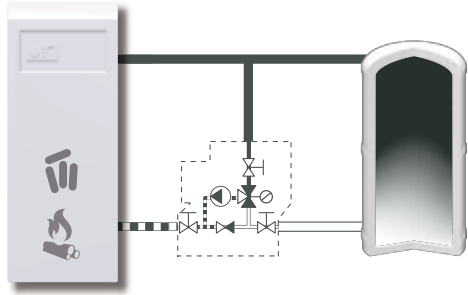
a

b

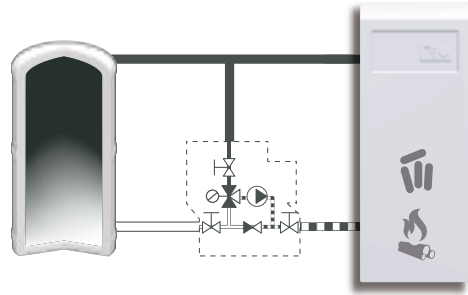
c



5a

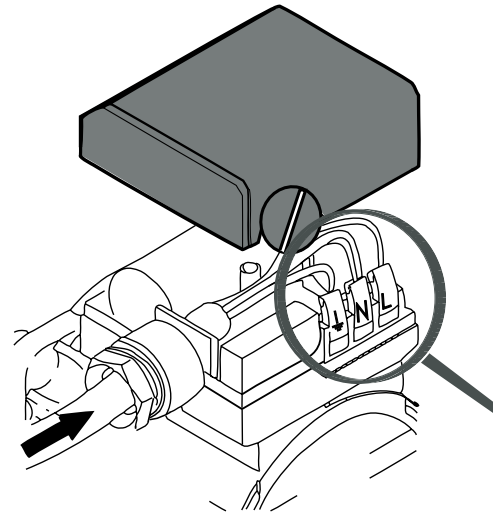


5b



230 VAC, 50Hz

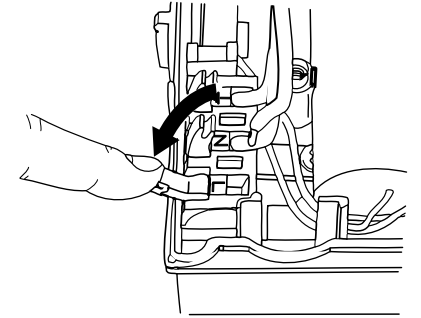
6a



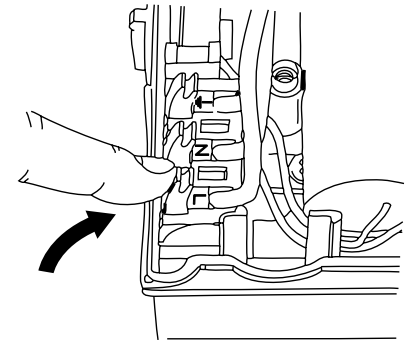
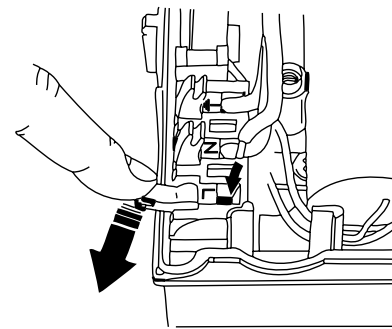
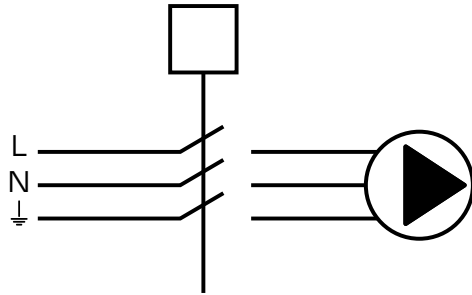
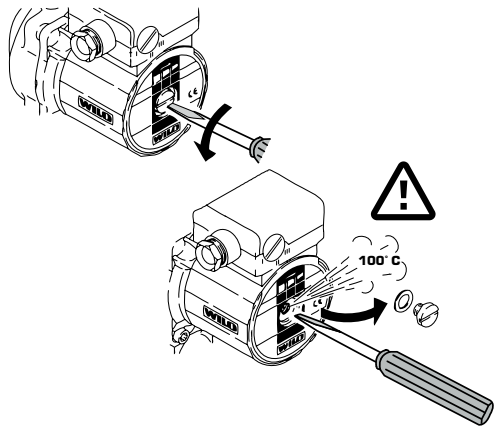
6c

6b

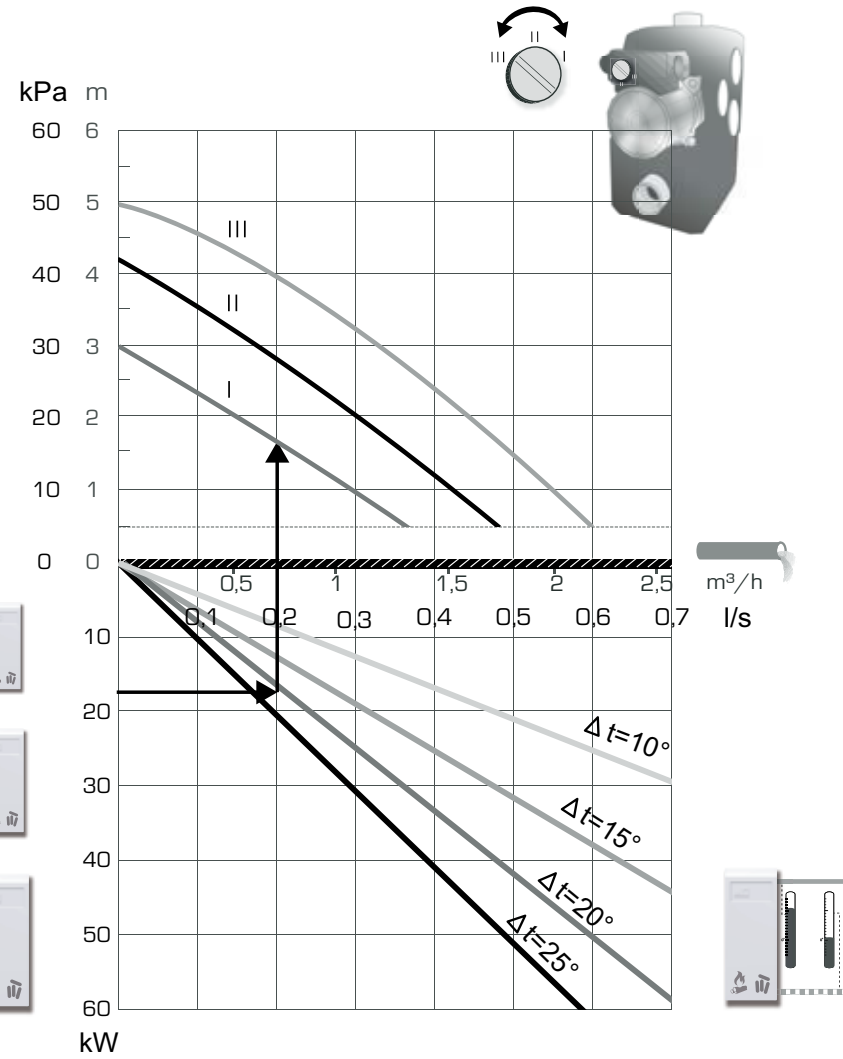
230 VAC, 50Hz



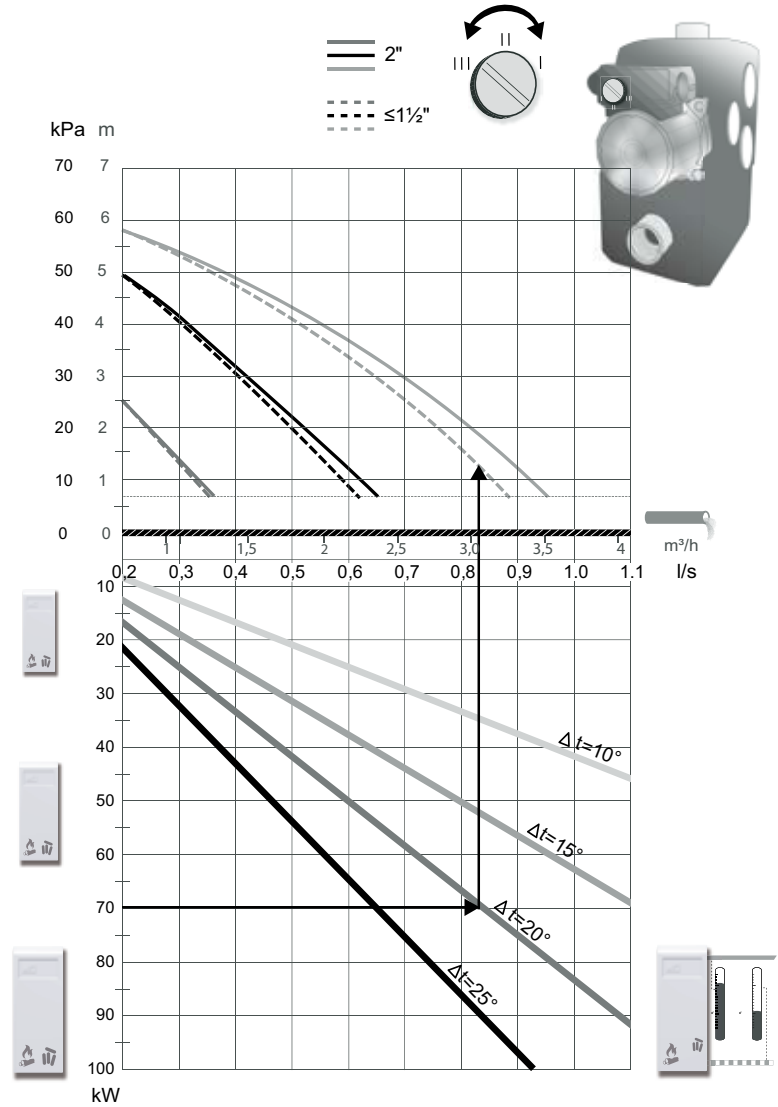
6d



# LTC140



# LTC170



<b>1</b>	<b>2</b>	<b>3</b>	<b>4</b>	<b>5</b>	<b>6</b>
<b>kW</b>	→	<b><math>\Delta t</math></b>	↑	↑	↻