



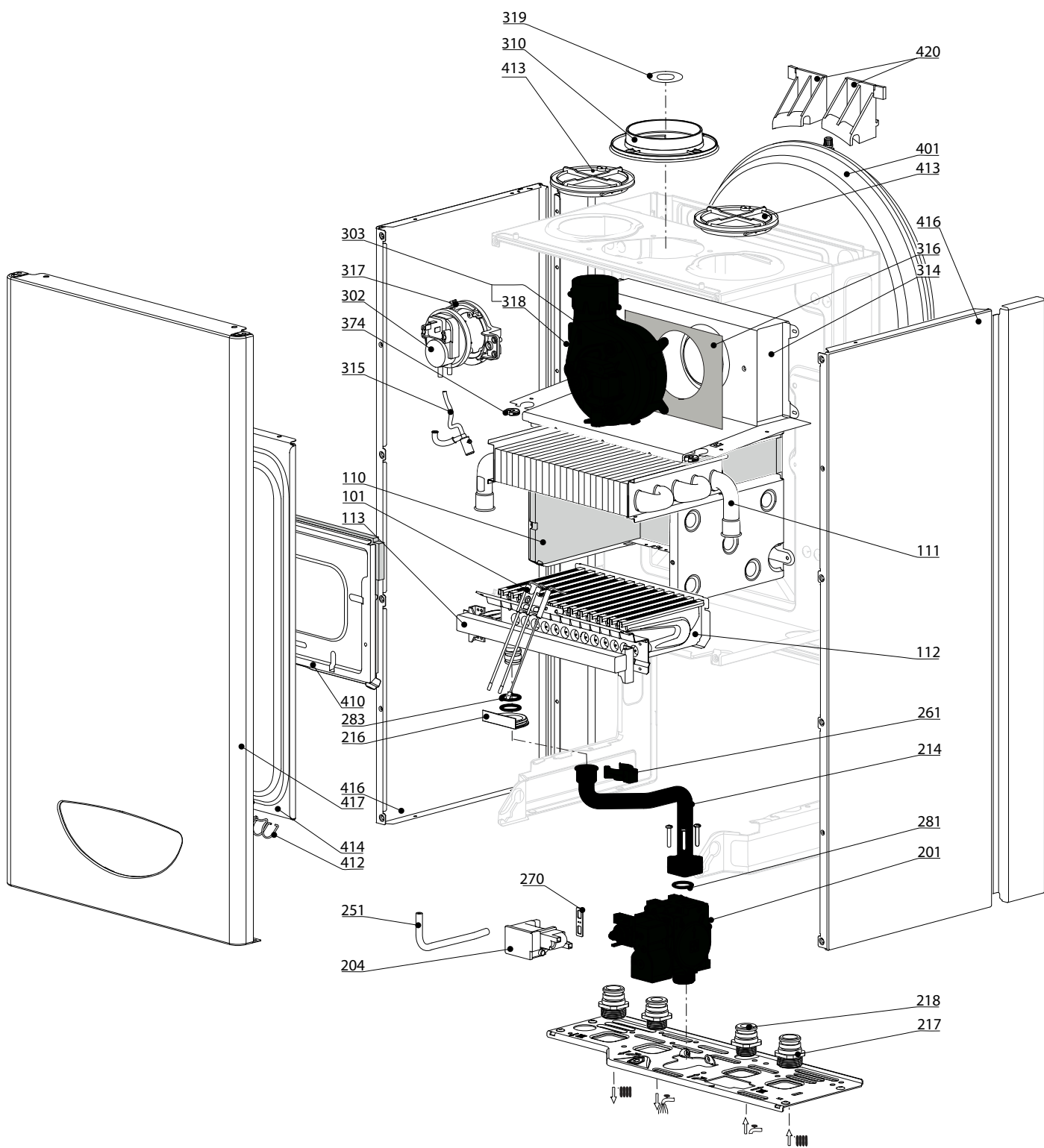
SPARE PARTS EXPLODED VIEW
GAS-WALL BOILER ATM. BURNER
Model
CARES XC - HS XC

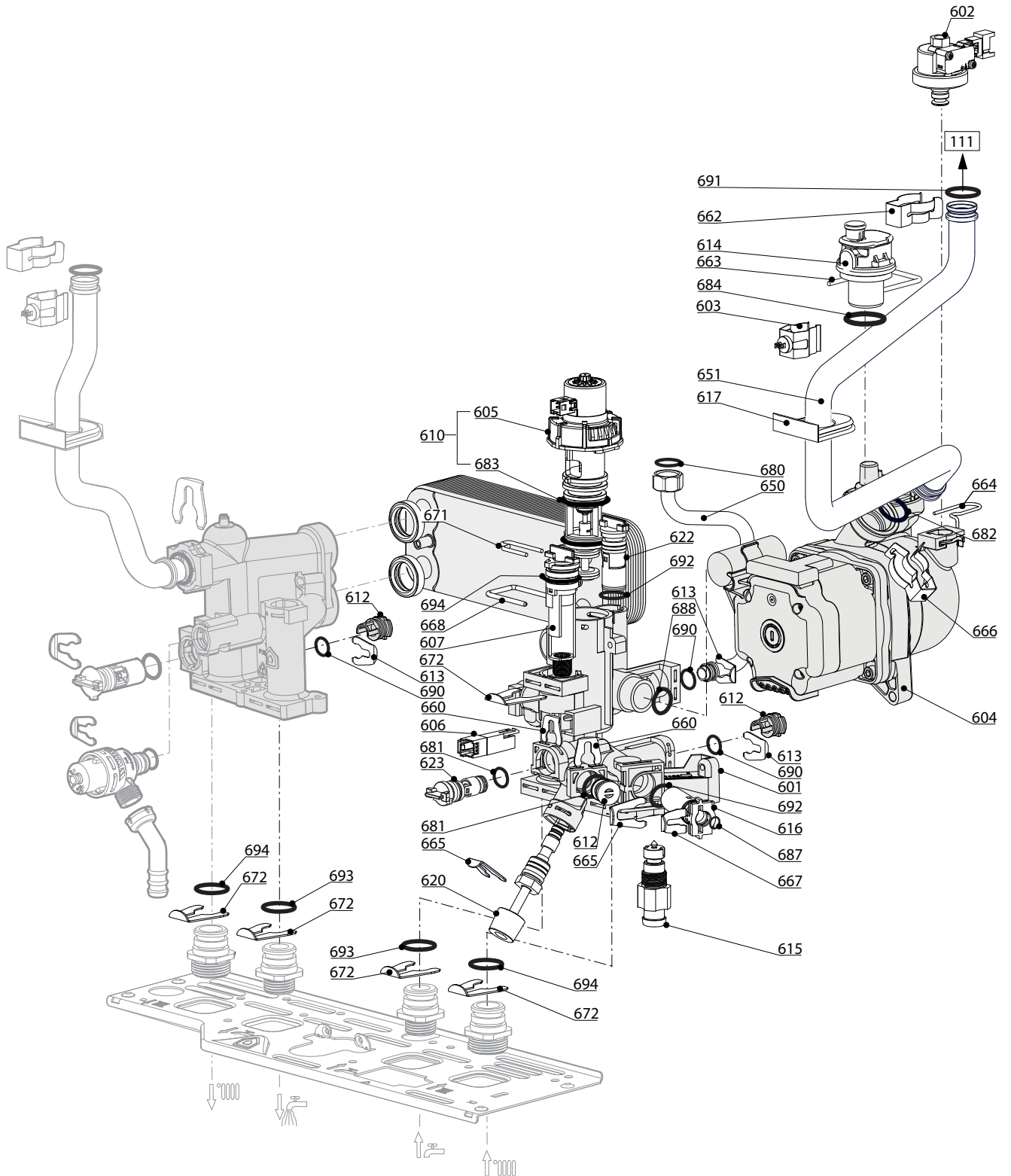
R8218623-02 - 25/02/2021

CARES XC - HS XC

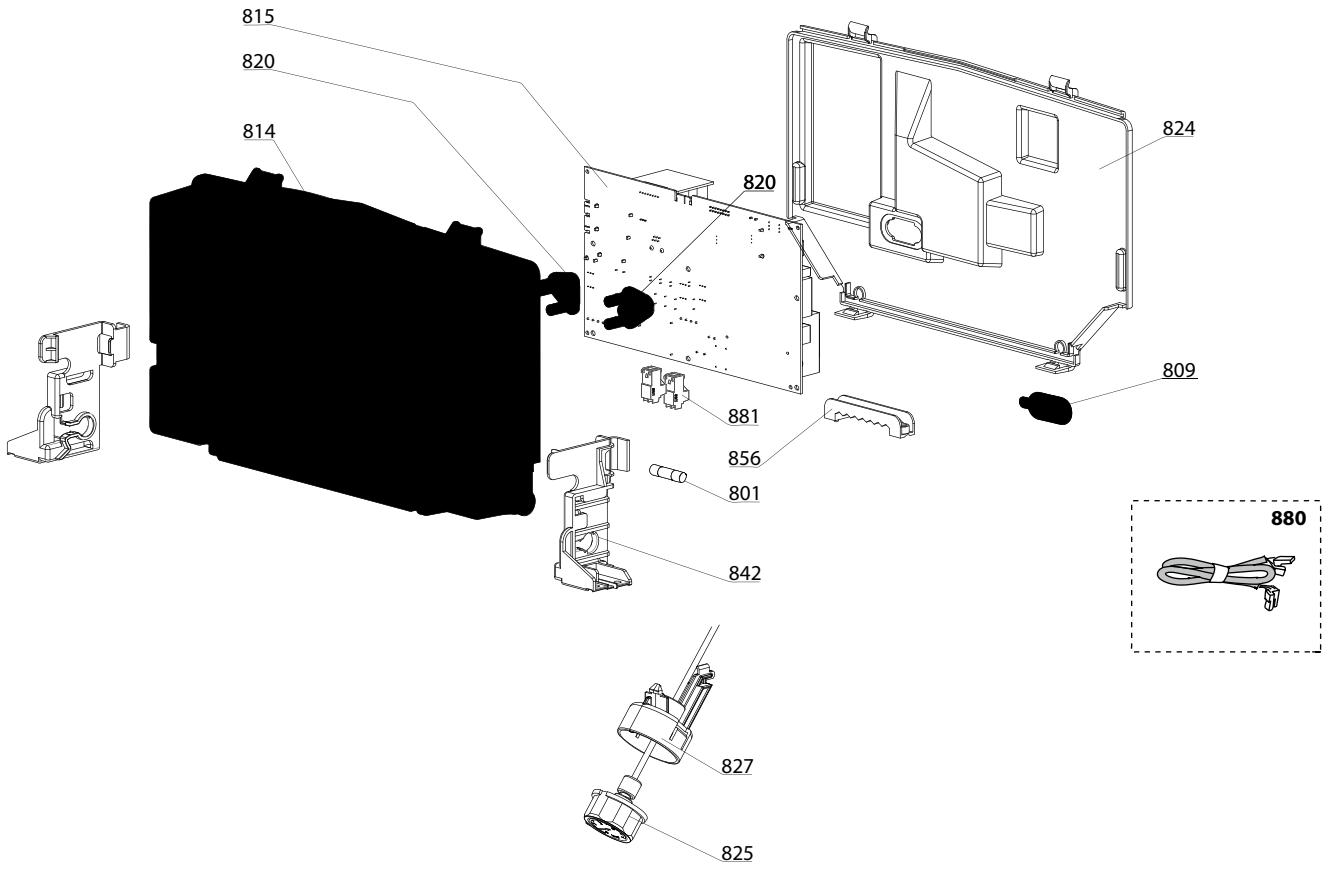
Gas-wall boiler atm. burner

1	3301685	CARES XC 10 FF NG	02-2021	-
2	3301684	CARES XC 15 FF NG	02-2021	-
3	3301683	CARES XC 18 FF NG	02-2021	-
4	3301682	CARES XC 24 FF NG	02-2021	-
5	3301689	HS XC 10 FF NG	03-2021	-
6	3301688	HS XC 15 FF NG	03-2021	-
7	3301687	HS XC 18 FF NG	03-2021	-
8	3301686	HS XC 24 FF NG	03-2021	-
Col	Reference	Model type	Begin	End

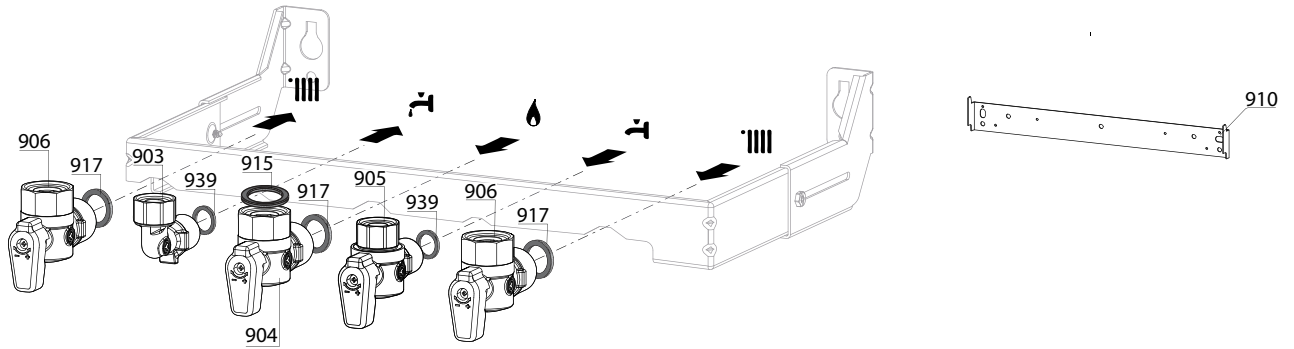




800



900



5000

5001
 Transf. gaz
 Conv. gas
 Trsf. gas
 Transf. gas
 > **G31**
 (LPG - GPL)

5002
 Transf. gaz
 Conv. gas
 Trsf. gas
 Transf. gas
 > **G20**
 (NAT - MET)

LIST OF THE ABBREVIATIONS

HW	: Hot water.
CW	: Cold water.
C	: Ceramic resistance (normal heating).
Ca	: Ceramic resistance (accelerated heating)
TP	: Immersion heater.
1F	: With fittings.
2F	: Without fittings.
3F	: With fittings and another outlet connection.
AMI	: With mixing valve.
SMI	: Without mixing valve.
PUISS	: Power of th appliance.
PN	: Appliance with normal pression.
LP	: Appliance with low pression.
PV	: Appliance with variable power.
PF	: Appliance with fixed power.

IDENTIFICATION PLATE

SERIAL NUMBER

10 Characters :	04 05 125 011	Sequential number Manufacturing day Year of manufacture
11 Characters :	1 95 065004 - 31	Technical number of the appliance Sequential number Year of manufacture
Month of manufacture : from 1 to 9 → Jan. to Sep., O → Oct., N → Nov., D → Dec.		
19 Characters :	08 05 0013199 900640031	Product reference Sequential number
Year of manufacture Month of manufacture		
20 Characters :	3675007 XX 2 07 070 00315	Sequential number Manufacturing day Year of manufacture
Product reference Millenium of manufacture		
21 Characters :	3675007 XX 07 070 0000315	Sequential number Manufacturing day
Product reference Year of manufacture		