



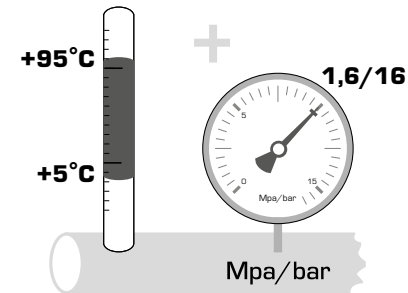
**SERIES VLG100**

**ESBE**  
NO.1 IN HYDRONIC SYSTEM CONTROL



Series VLG122  
Series VLG132  
Series VLG142

CE  
PED 2014/68/EU, article 4.3



VLG122



VLG132



VLG142



ALG434

ALG436

ALG438

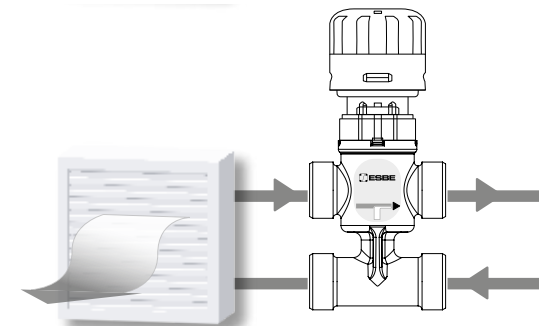
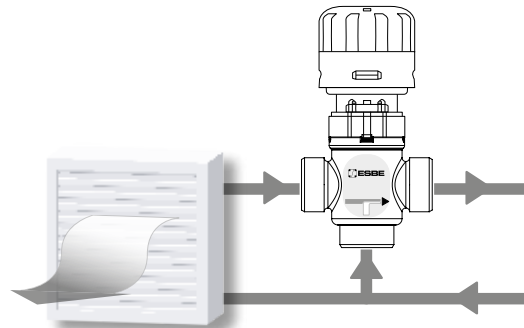
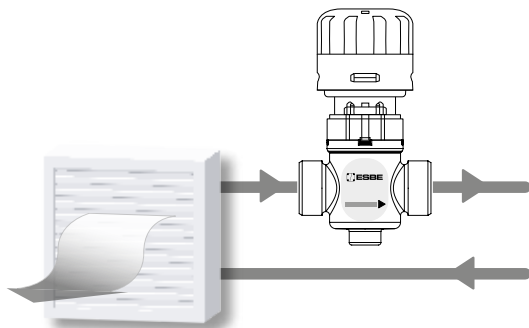
Mtrl.nr: 9814 09 65 • Ritn.nr: 8471 utg B • Rev. 1602



**Serie VLG122**

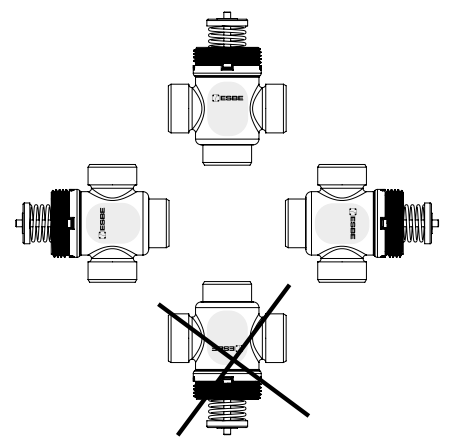
**Serie VLG132**

**Serie VLG142**

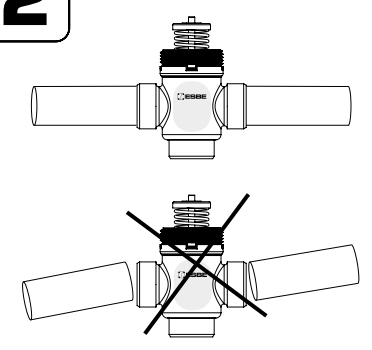


*Piping Schematics are General Representations*

1

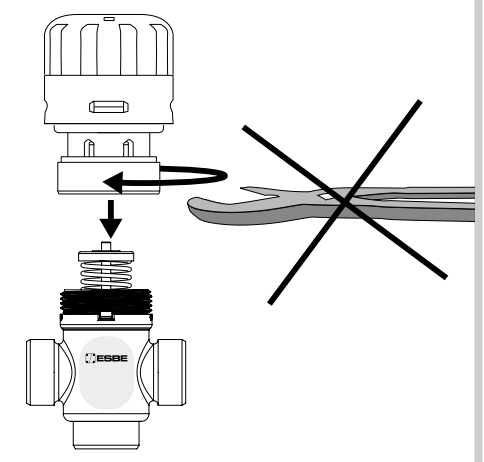


2

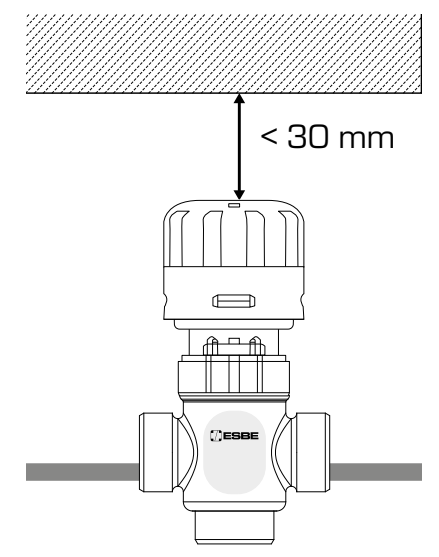


- GB** Flat tight
- IT** Tenuta piana
- FR** Etanchéité plane
- DE** Flachdichtend

i



i



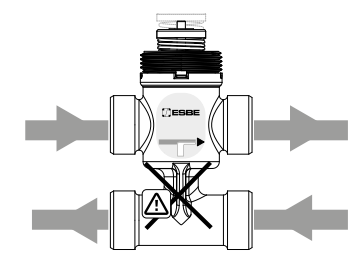
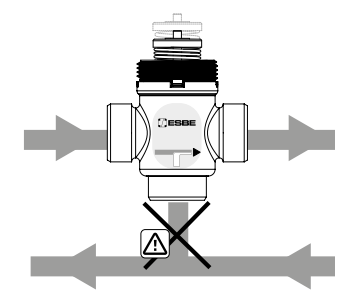
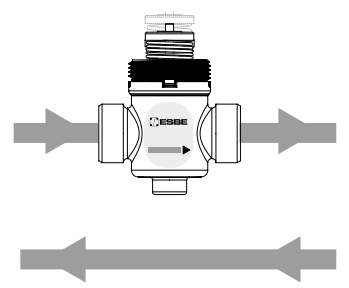
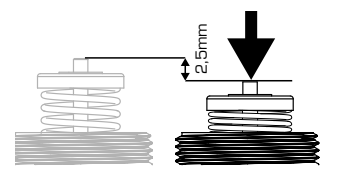
3

**Serie VLG100**

Serie VLG122

Serie VLG132

Serie VLG142



Serie VLG122

Serie VLG132

Serie VLG142

