



Valve Assembly



www.esbe.eu



SERIES ARD100/ARD200



NO.1 IN HYDRONIC SYSTEM CONTROL

Series ARD100
Series ARD200

CE

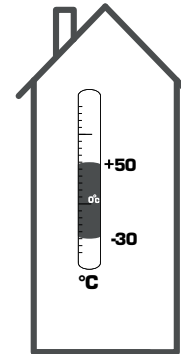
LVD 2006/95/EC valid until April 19th 2016

LVD 2014/35/EU valid from April 20th 2016

EMC 2004/108/EC valid until April 19th 2016

EMC 2014/30/EU valid from April 20th 2016

RoHS 2011/65/EU



Series ARD100

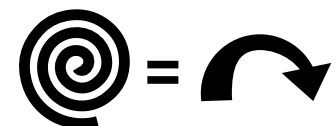
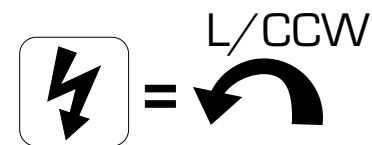
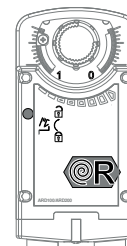
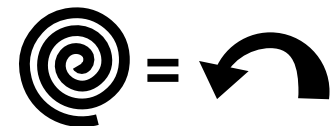
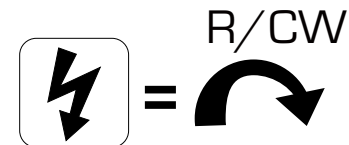
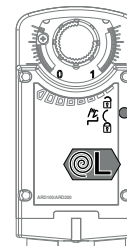
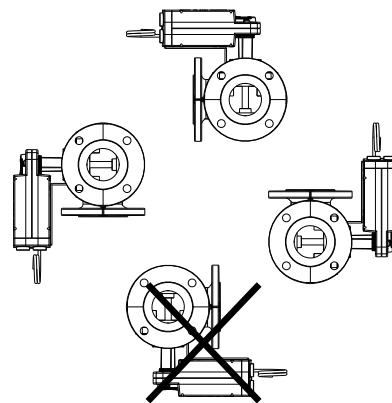
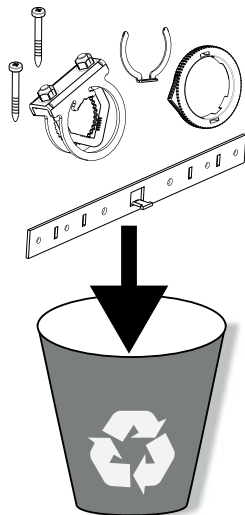
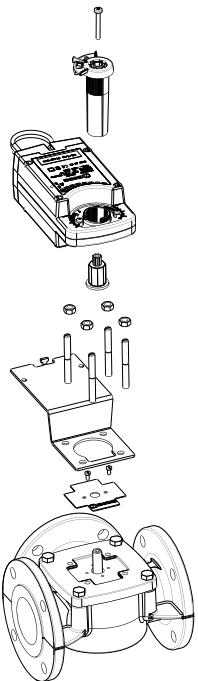


Series ARD200



Series 3F, 4F

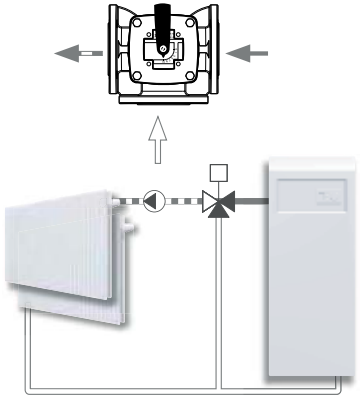
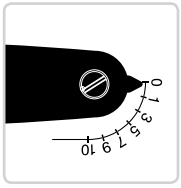
Mtrl.nr: 9814 09 62 • Ritn.nr 8473 vers. A • Rev 1512



Valve settings

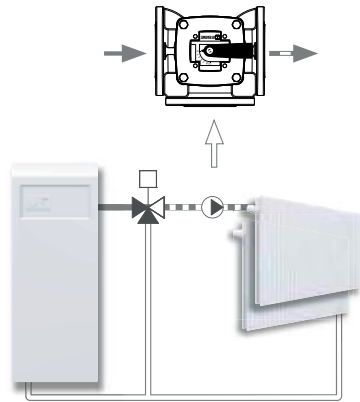
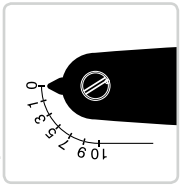
V 1A

R/CW



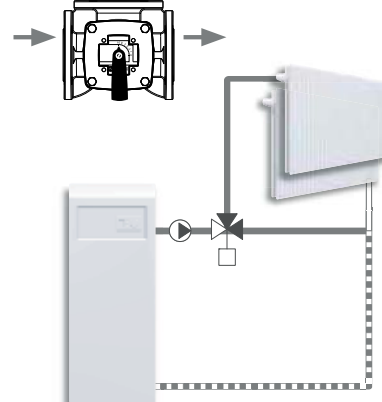
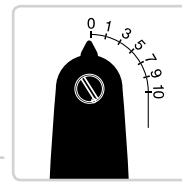
V 1B

L/CCW



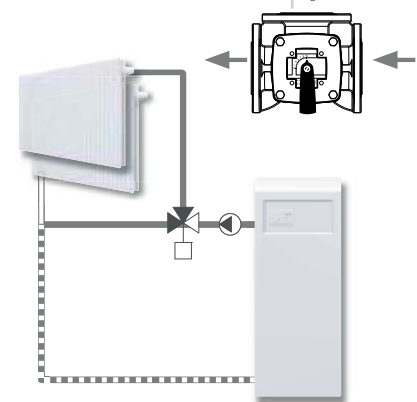
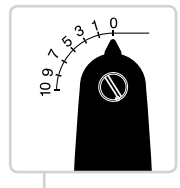
V 2A

R/CW



V 2B

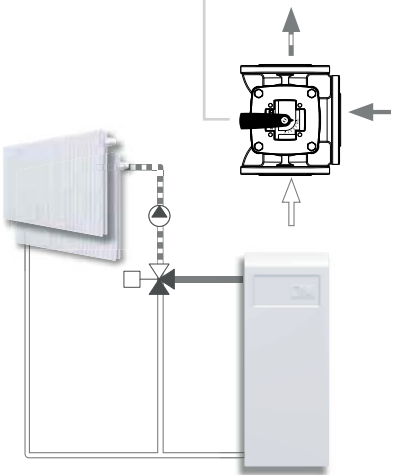
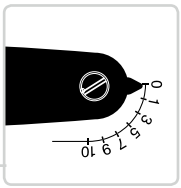
L/CCW



Valve settings

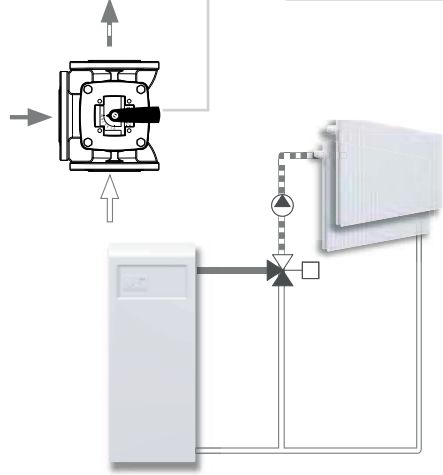
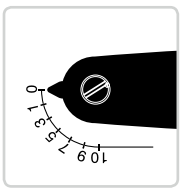
V 3A

R/CW



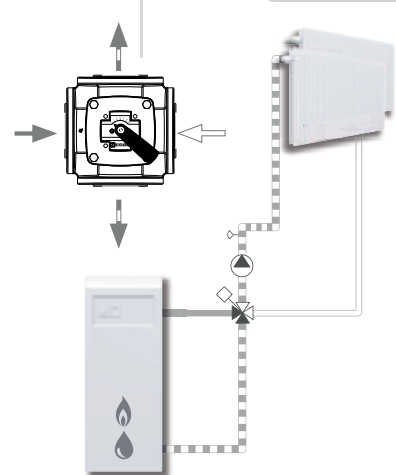
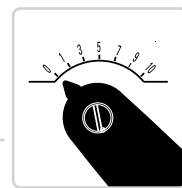
V 3B

L/CCW



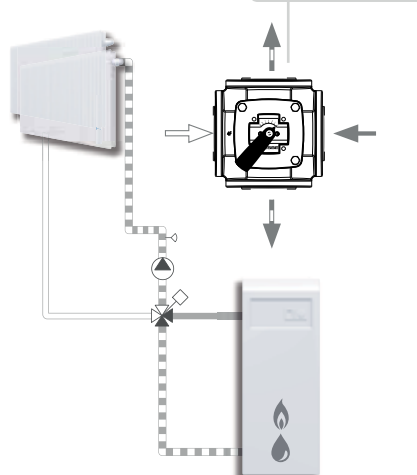
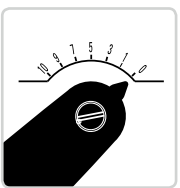
V 4A

R/CW



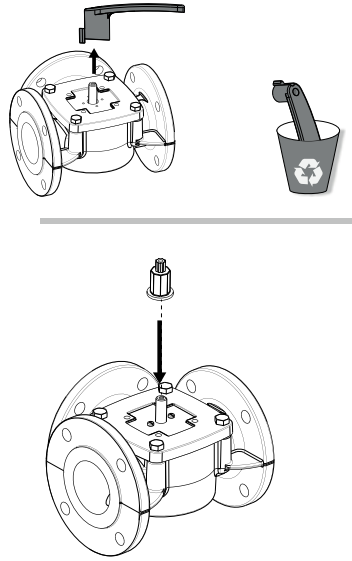
V 4B

L/CCW

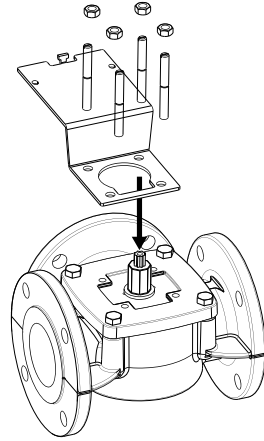


Valve Assembly

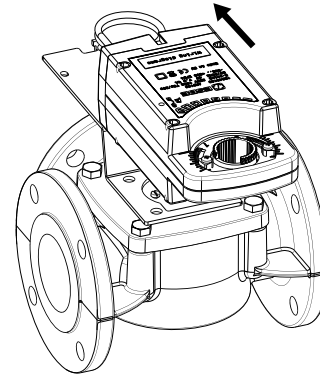
V 5



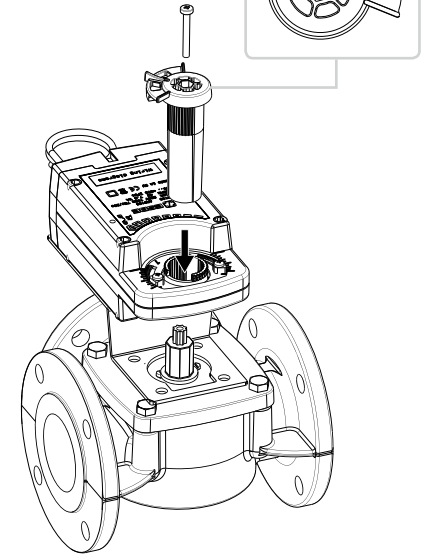
V 6



V 7

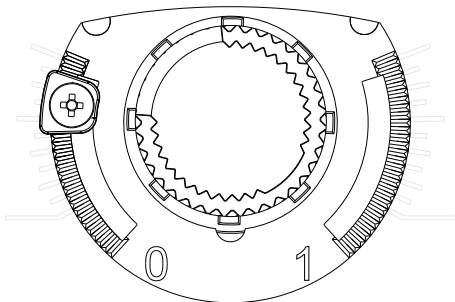
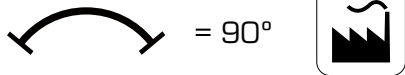


V 8



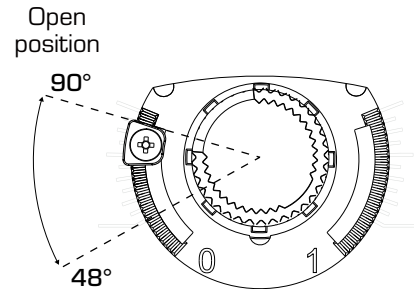
Actuator Settings Valve Assembly

V 9A

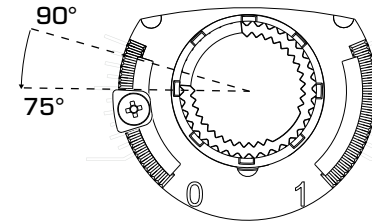


V 9B

Limiting working range • Clockwise working direction (R/CW)



Exampel R/CW working range 0°- 75°

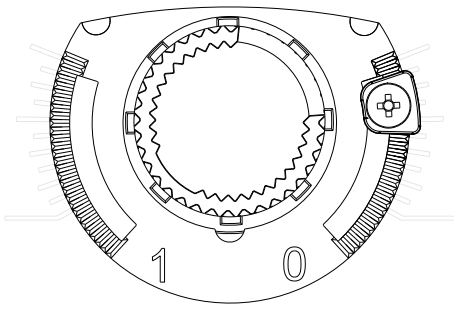


i

ARD169/
ARD269
Dip Switch 4



E 3

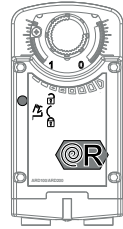


**V
9C**

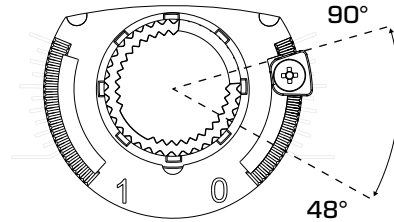
Limiting working range • Counter clockwise working direction (L/CCW)

Max working range
0° - 90°

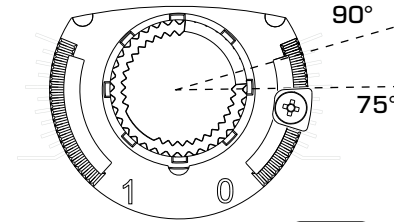
Min working range
0° - 48°



Open
position



Exempel L/CCW working range 0°- 75°



i

ARD169/
ARD269
Dip Switch 4

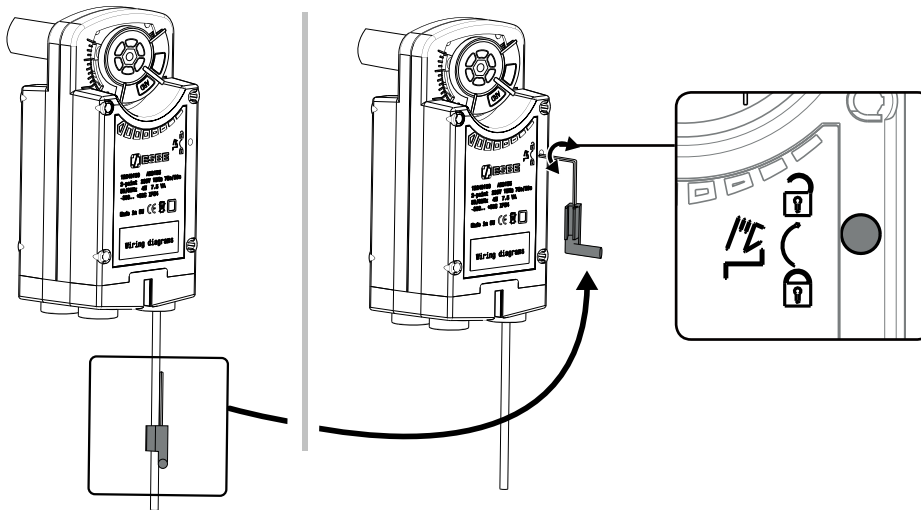


Manual operation

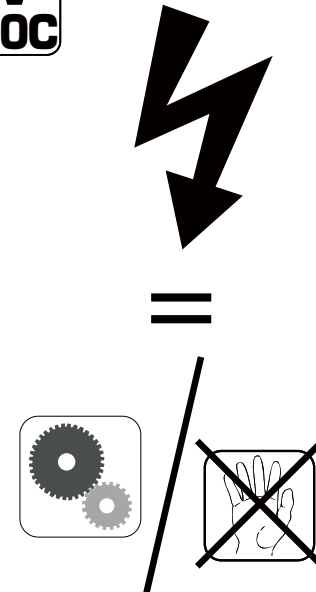
**V
10A**



**V
10B**



**V
10C**



**V
11** **i**

ARD100/ARD200
Electrical
Settings

