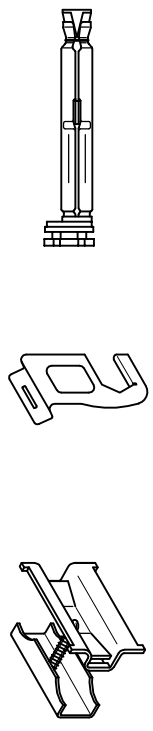


Montageanleitung  
 Mounting instruction  
 Guide de pose  
 Istruzione di montaggio  
 BKE - BH & BFS1

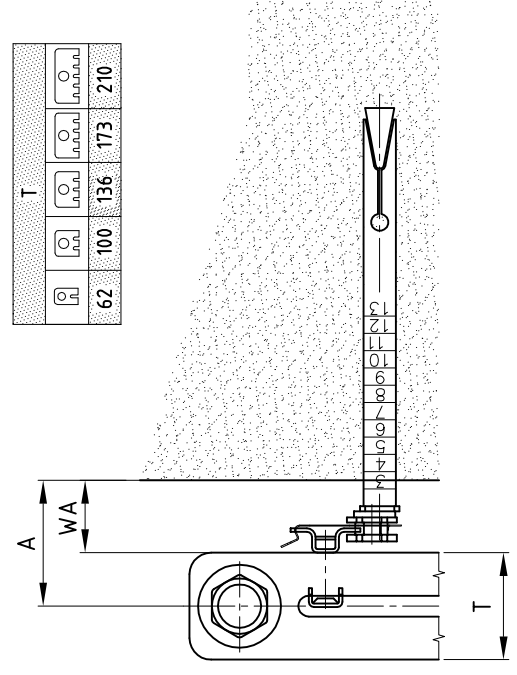
Rev.0 vom 15.05.2007  
 Artikel Nr. D20059

- |        |           |         |
|--------|-----------|---------|
| 4 x BH | 2 x BFS 1 | 4 x BKE |
| 6 x BH | 2 x BFS 1 | 6 x BKE |
| 8 x BH | 2 x BFS 1 | 8 x BKE |

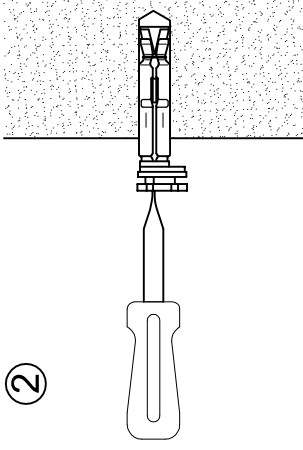


Modelle	Wa	A
2-6 S.	35-65	66-96
2-6 S.	35-65	85-115
2-6 S.	35-65	103-133
2-6 S.	35-65	121-151
2-6 S.	35-65	140-170

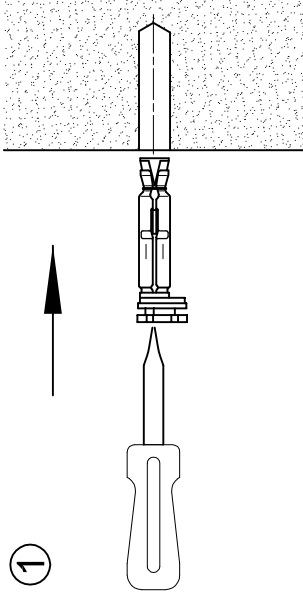
T	
	62
	100
	136
	173
	210



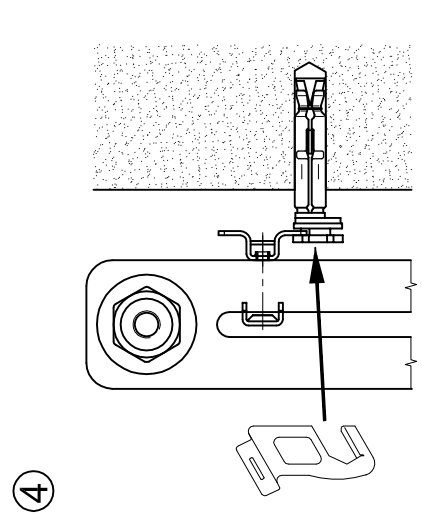
②



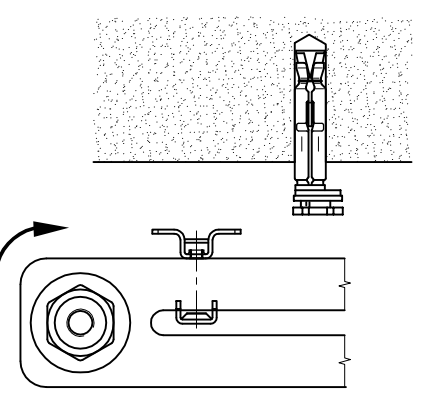
①



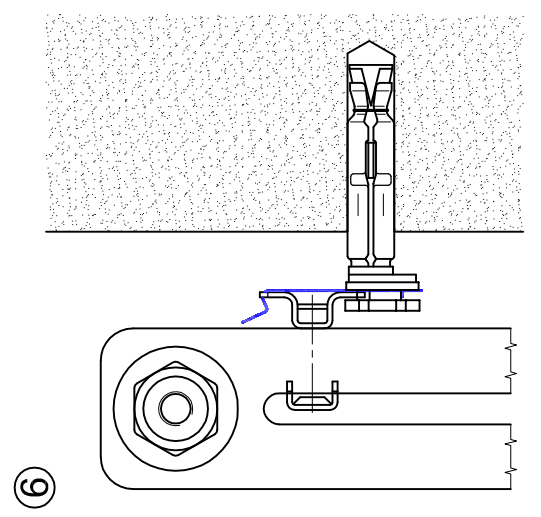
④



③



⑥



⑤

