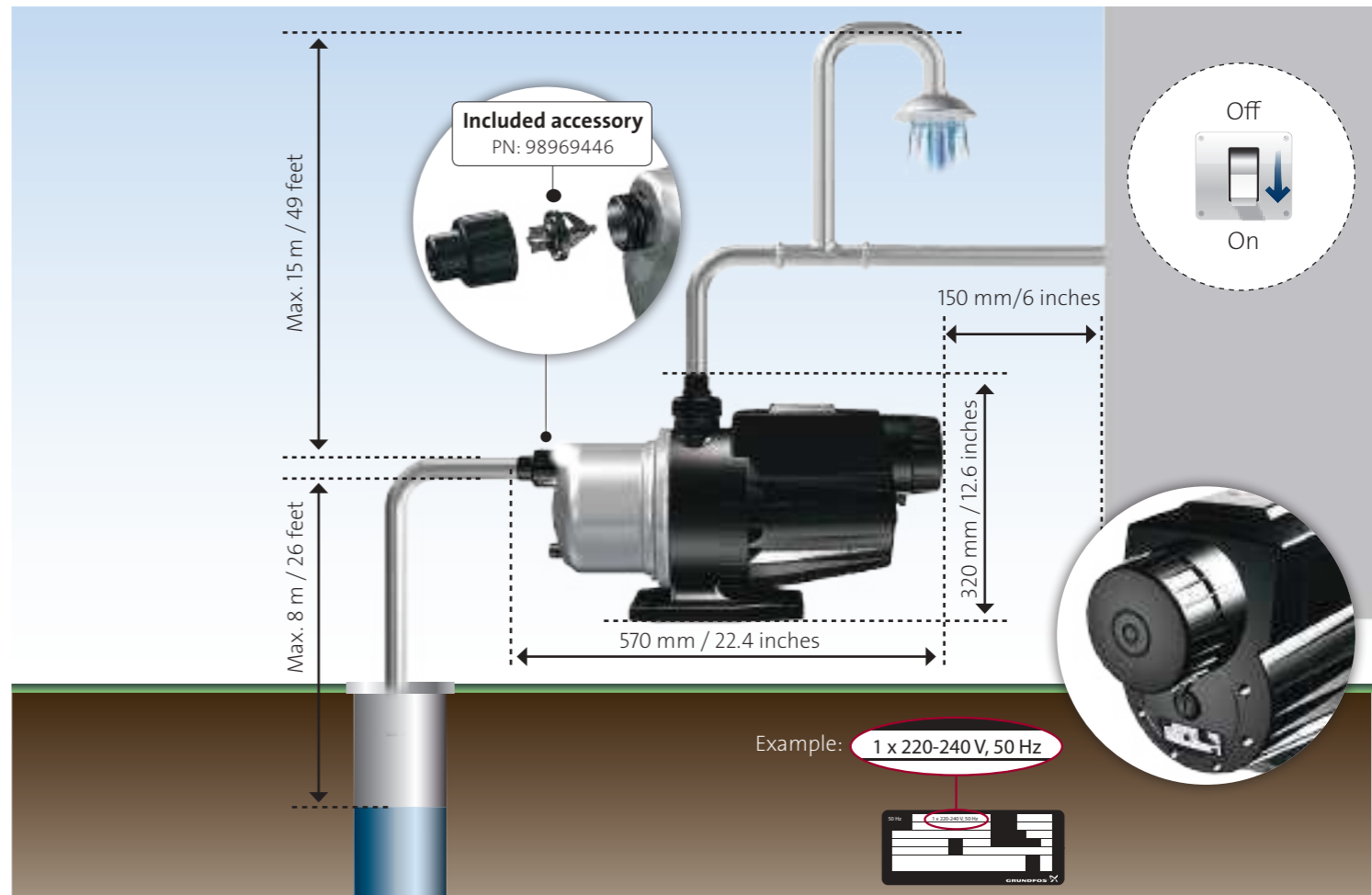
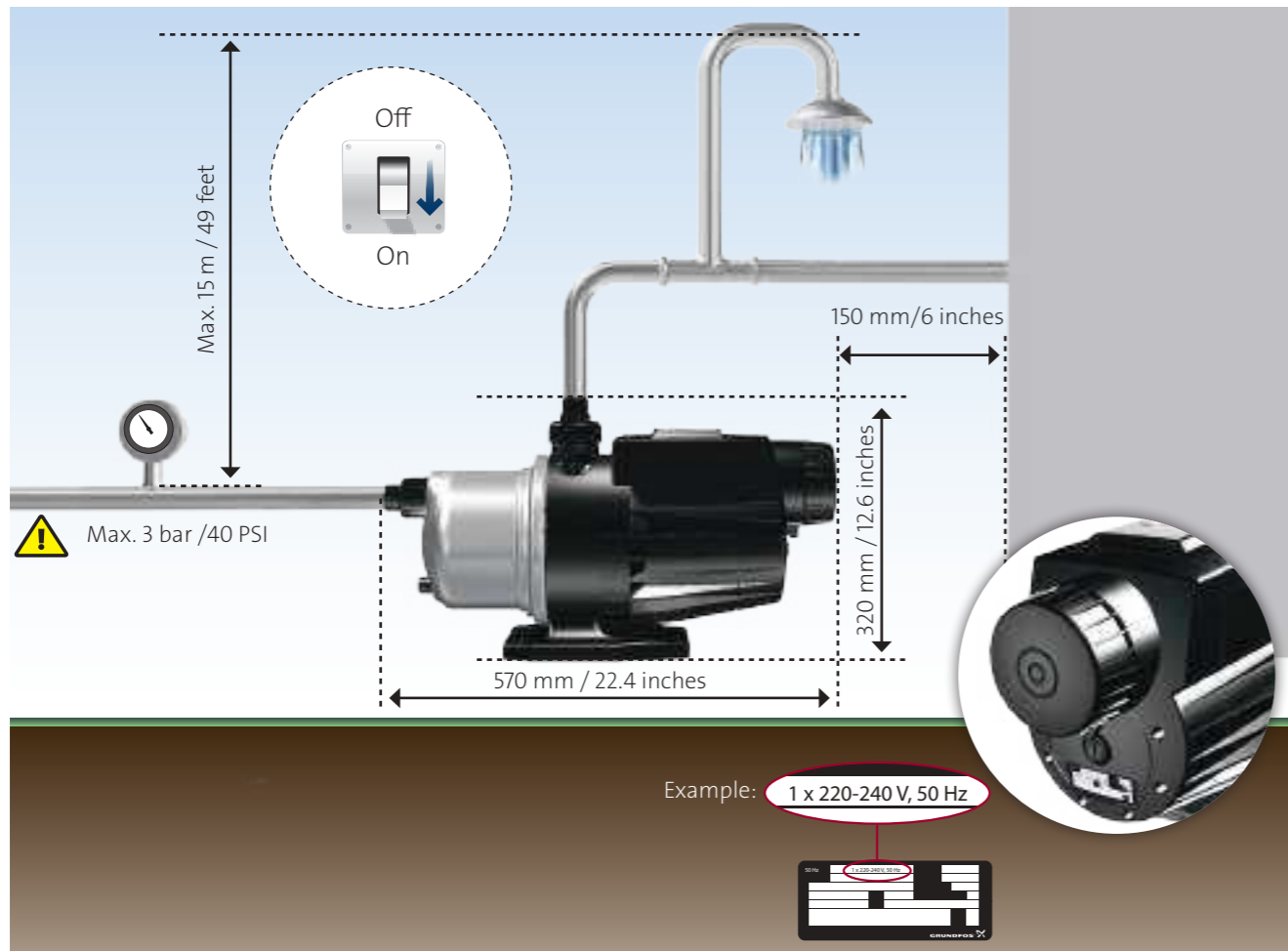


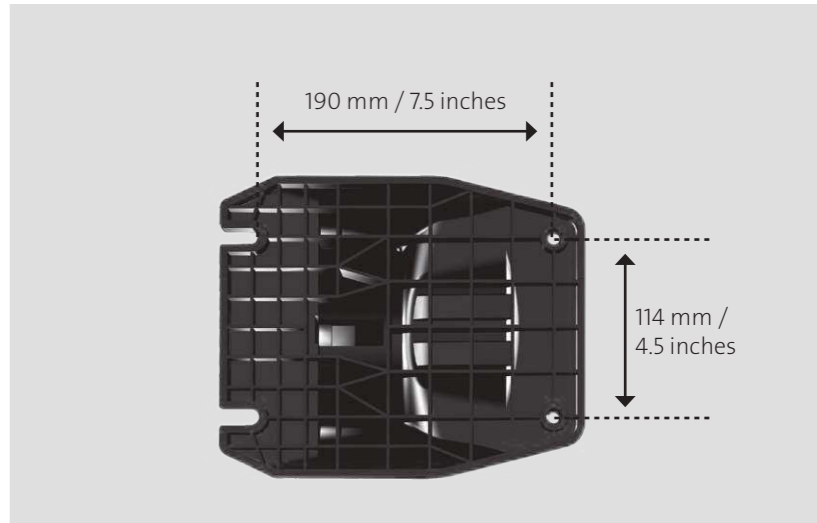
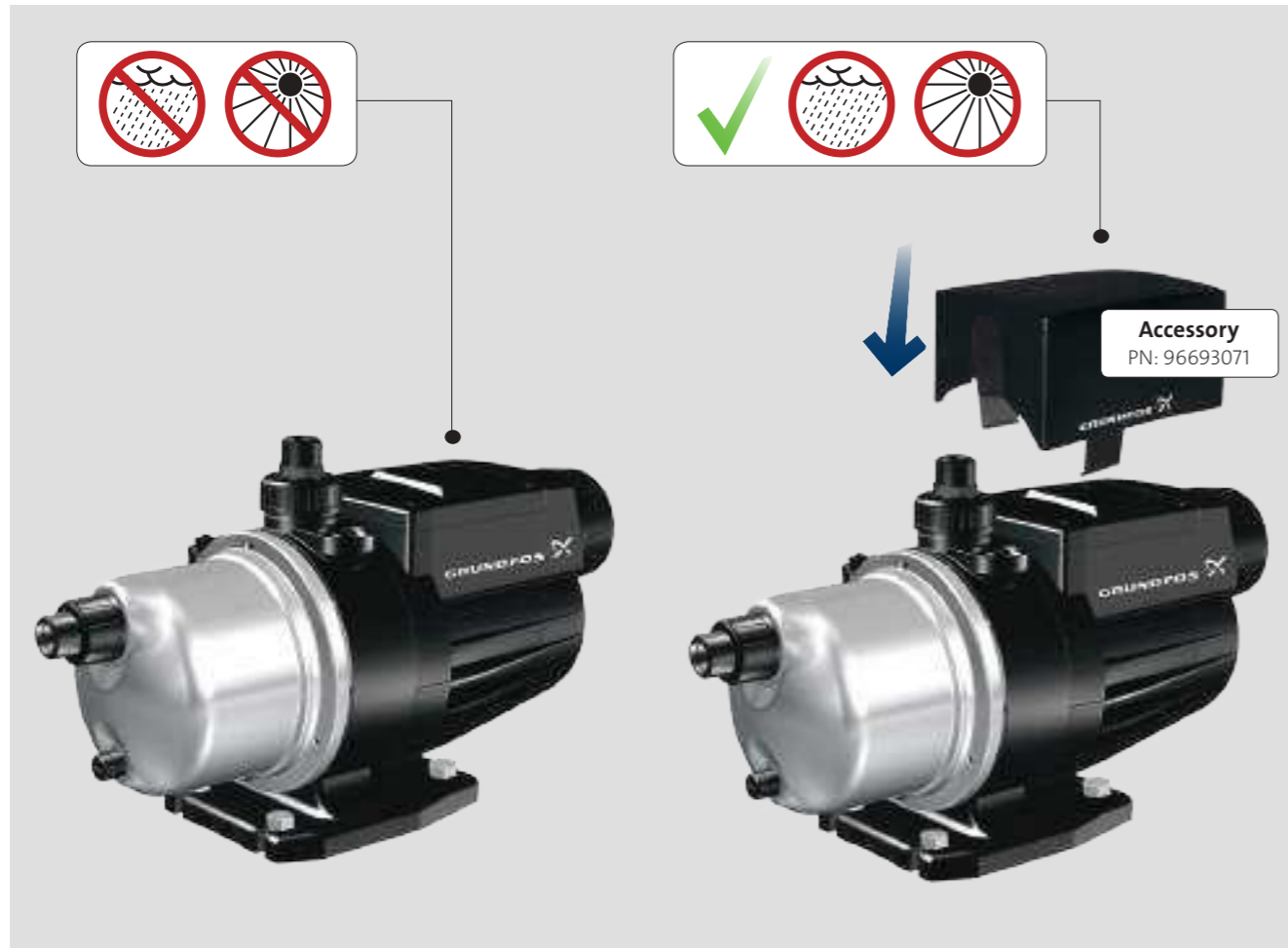
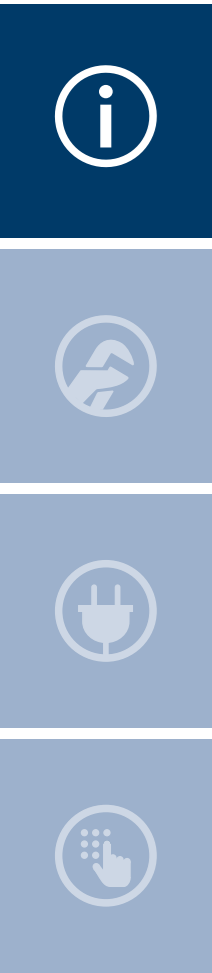


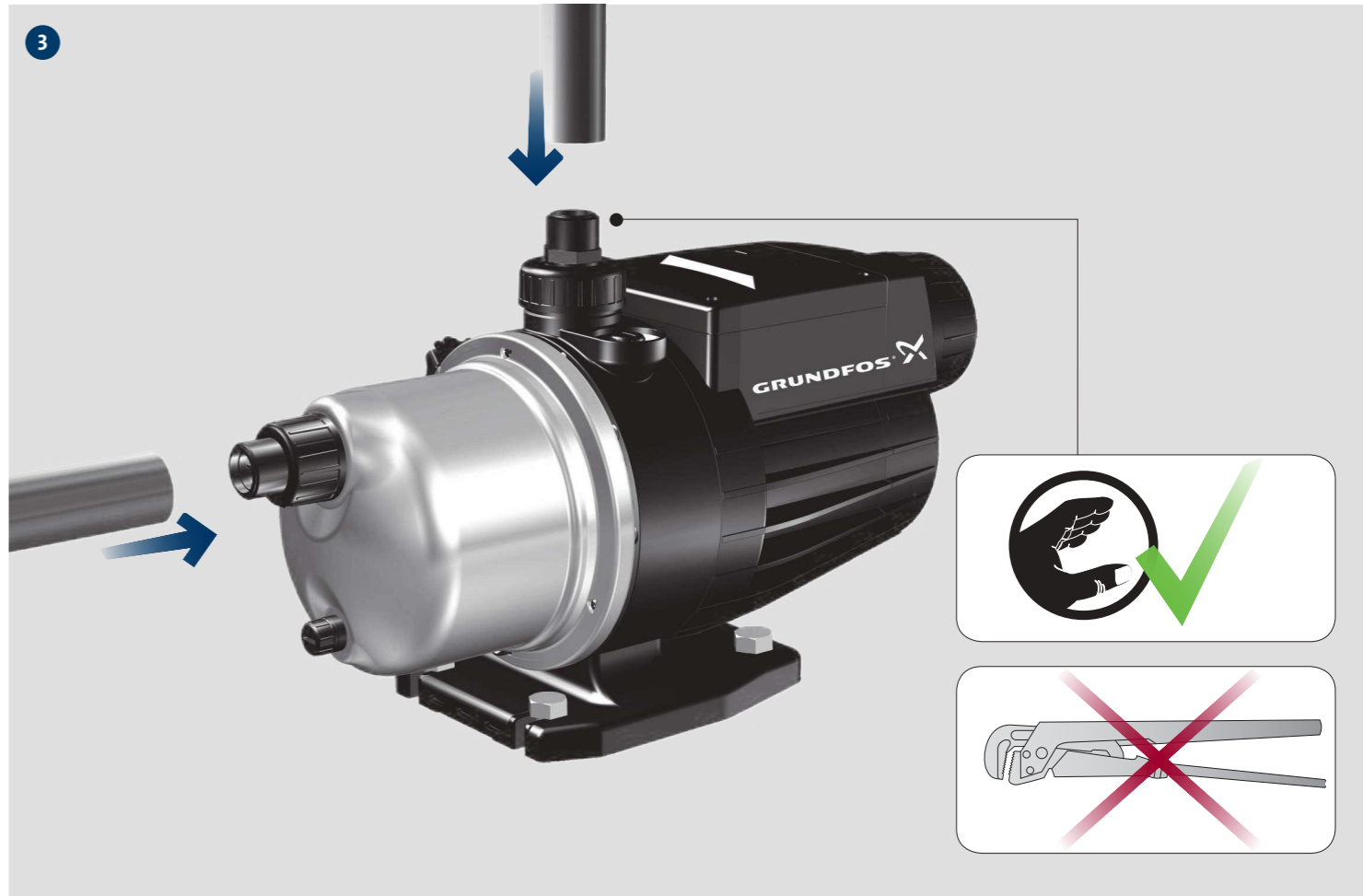
# GRUNDFOS MQ

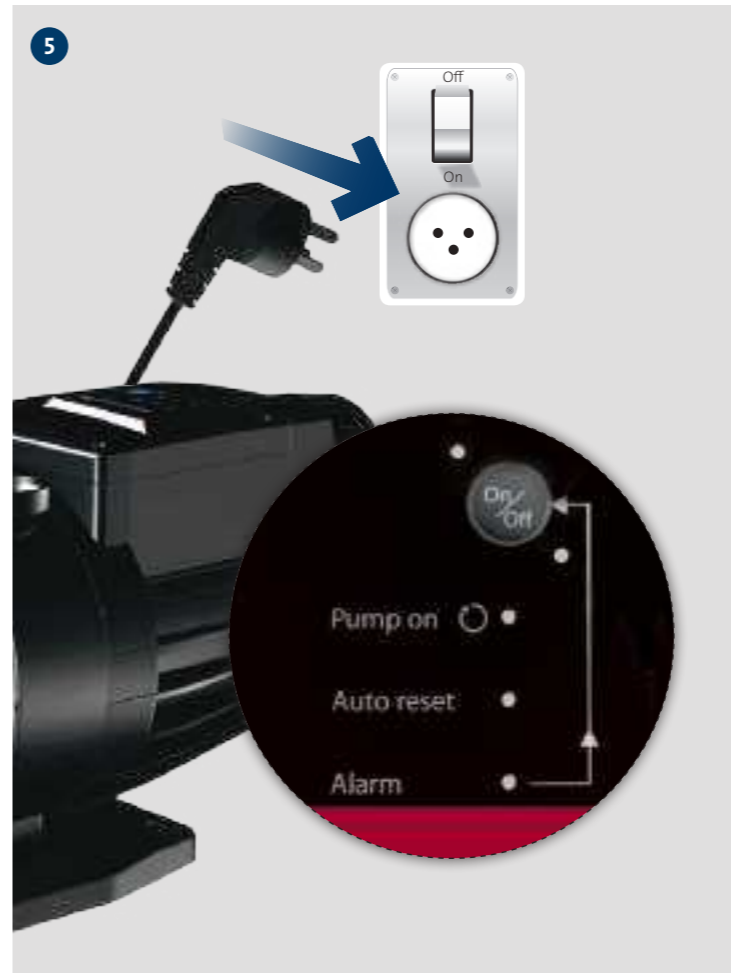
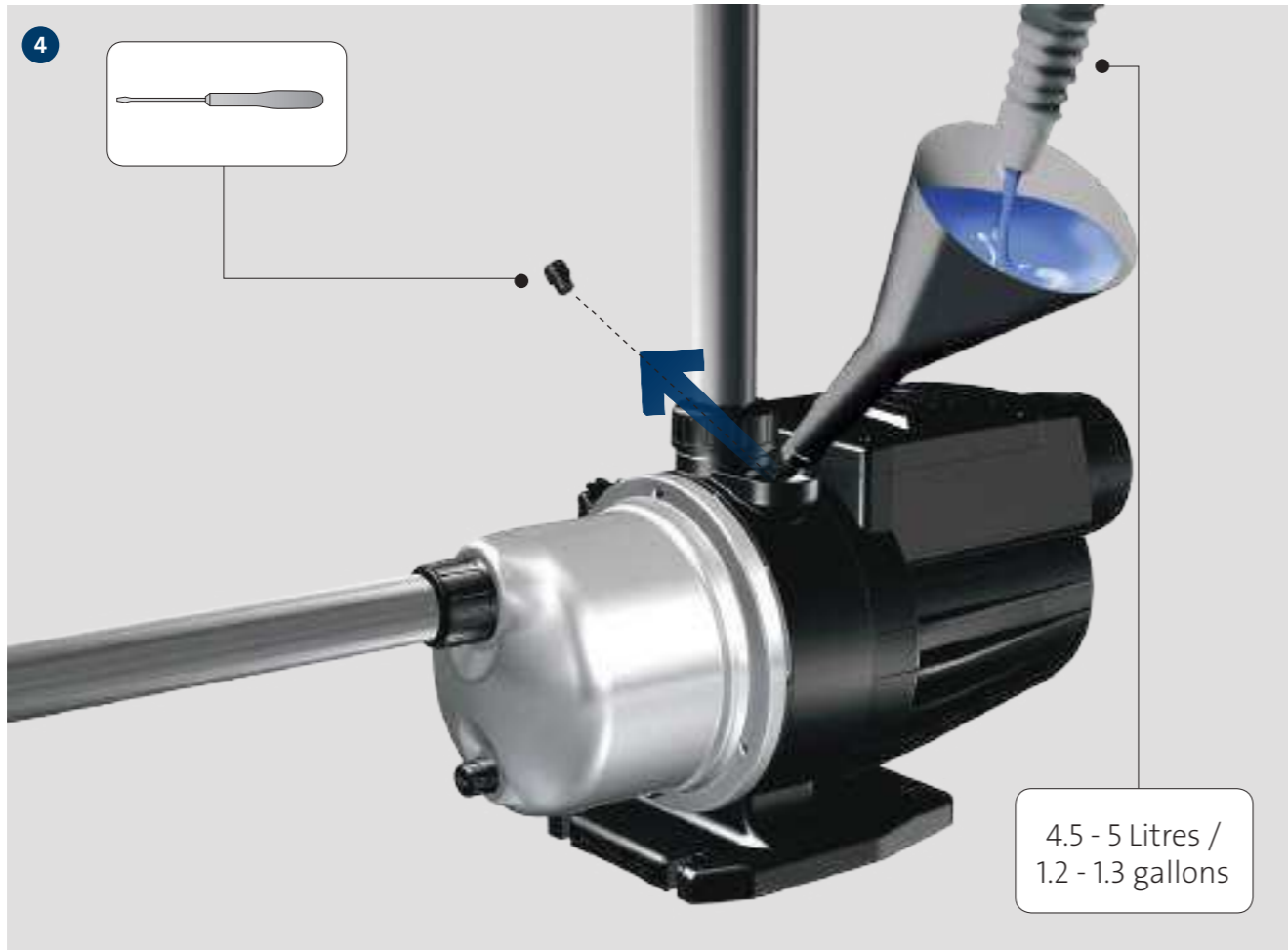


<http://qr.grundfos.com/i/MQinstallation>











## **GRUNDFOS Holding A/S**

Poul Duejensens Vej 7  
DK-8850 Bjerringbro  
Tlf: +45-87 5014 00

<b>98338977</b>	0216
-----------------	------

ECM: 1178728
--------------

be think innovate

**GRUNDFOS**  


The name Grundfos, the Grundfos logo, and the payoff be think innovate are registered trademarks owned by Grundfos Holding A/S or Grundfos A/S, Denmark. All rights reserved worldwide.