



SERIES VRG140

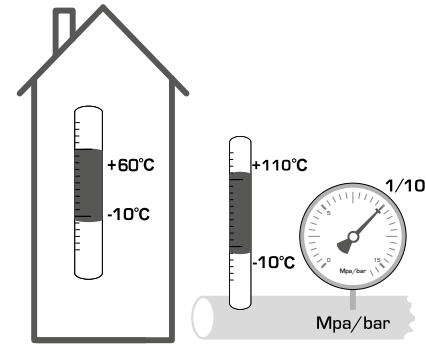


Mtrl.nr: 9814 02 70 • Ritn.nr: 7046 utg. C • Rev. 1605

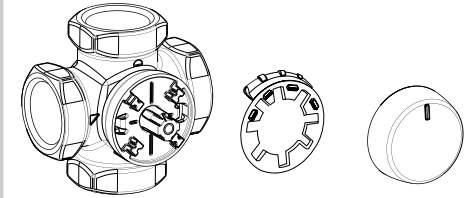


Series VRG141
Series VRG142
Series VRG143
CE

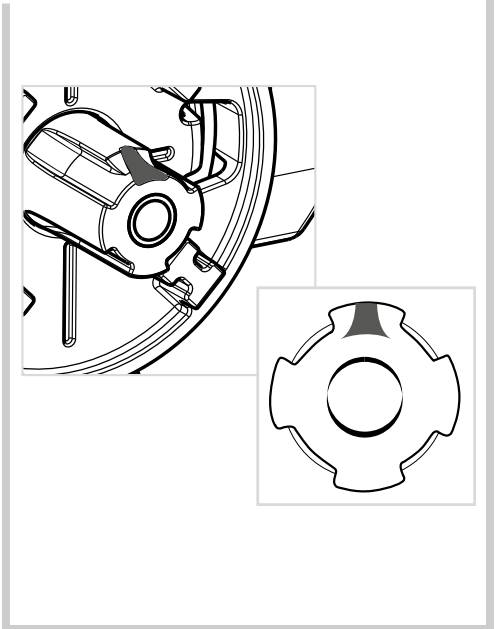
PED 2014/68/EU, article 4.3



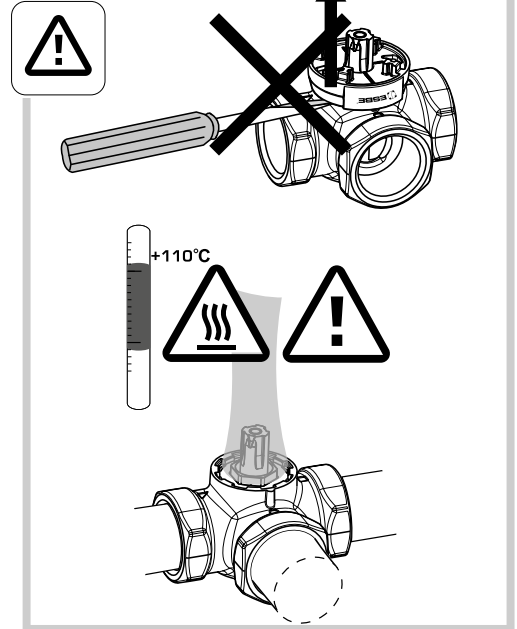
1



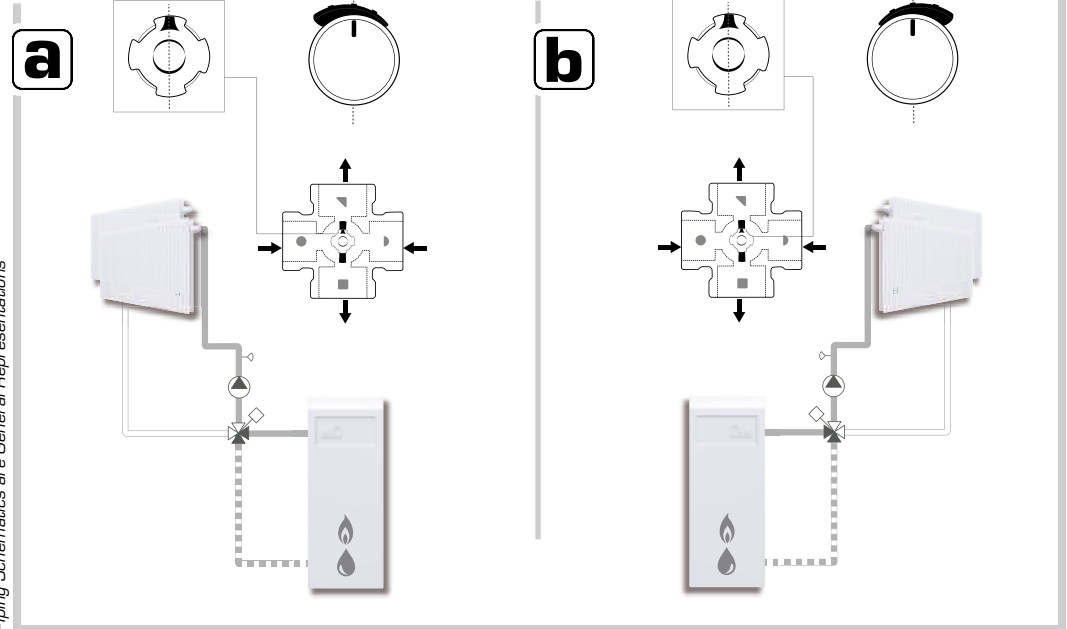
i



i



2





[http://www.esbe.eu/global/en/
products/rotary-valves](http://www.esbe.eu/global/en/products/rotary-valves)