

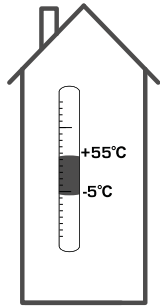
ESBE SERIES CRB100



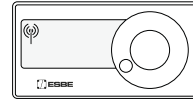
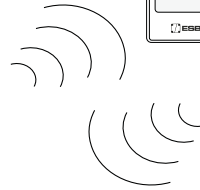
Series CRB110
Series CRB120

CE

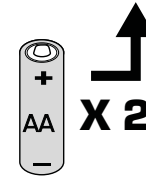
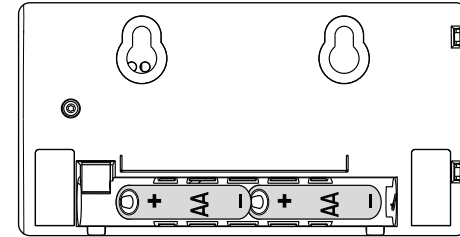
LVD 2006/95/EC
EMC 2004/108/EC
RoHS 2002/95/EEC
EN 300220-2



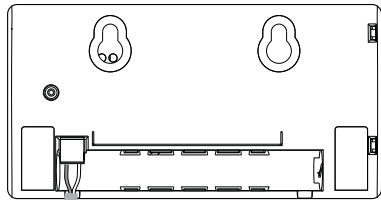
1A



Series CRB120   

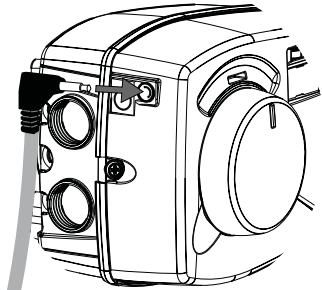
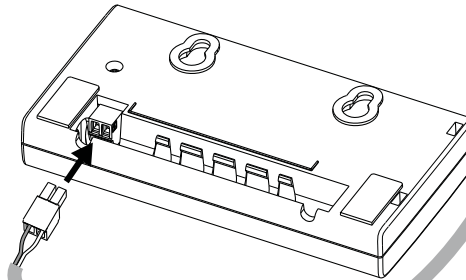
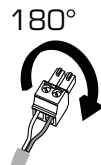
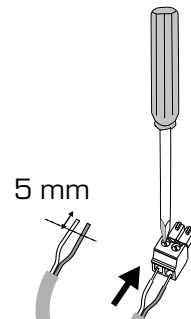


1B



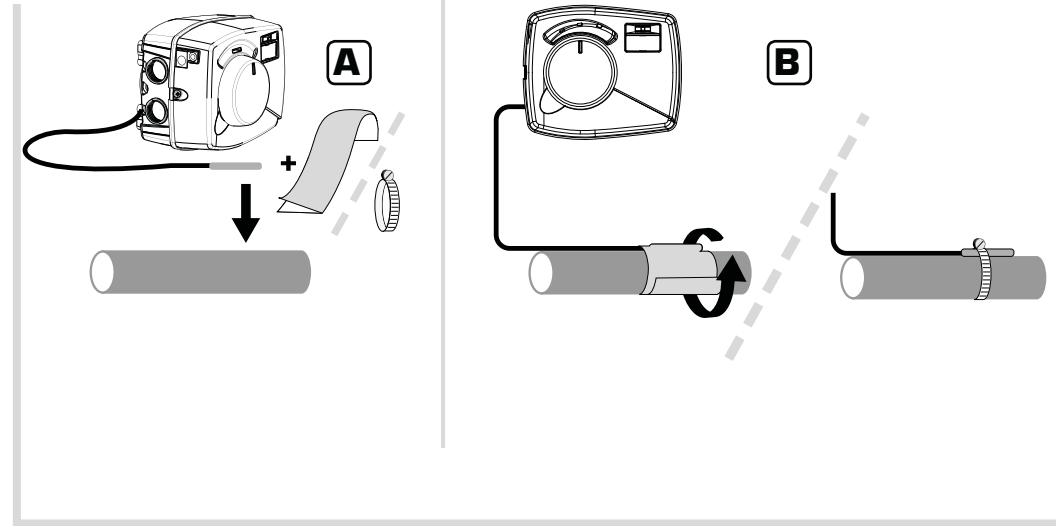
5 mm

180°

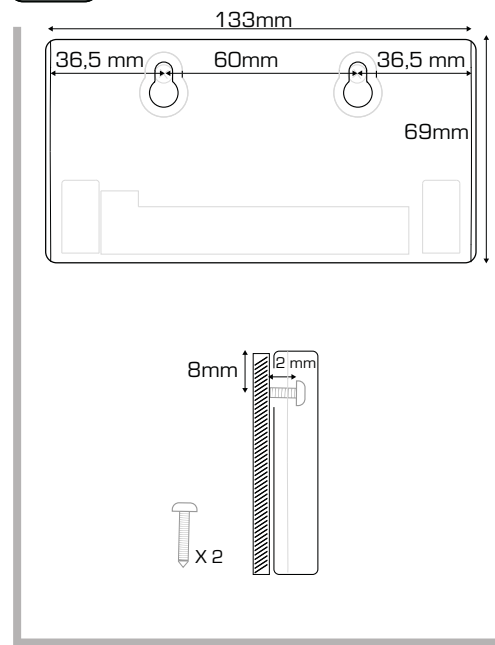


Series CRB110   

2



i



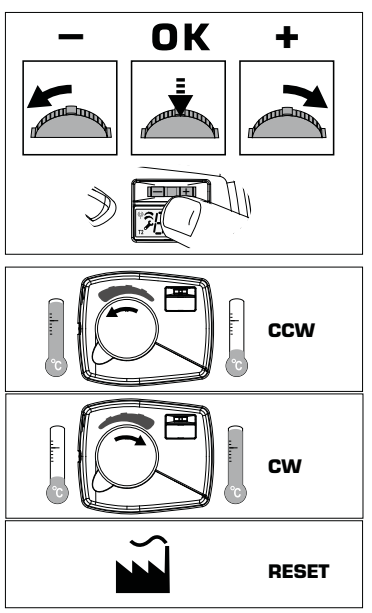
www.esbe.se

Mtrl.nr. 9814 03 91 • Ritn.nr. 9211 utg. B • Rev. 1012

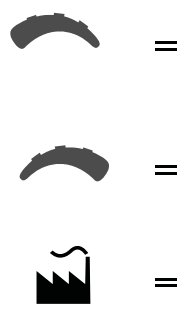
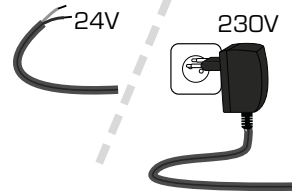
3



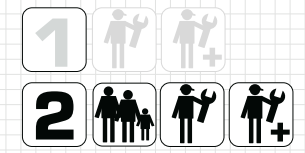
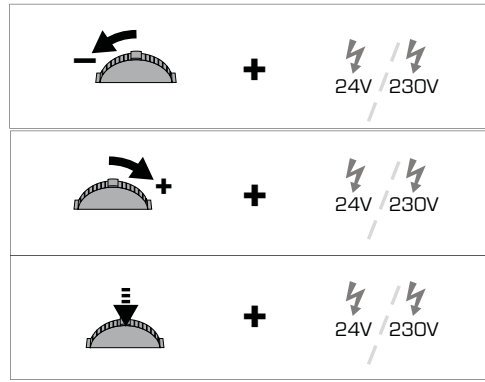
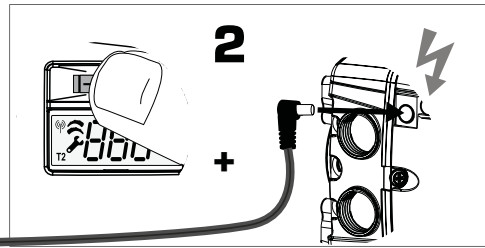
i



1



2



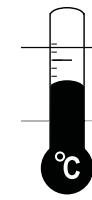
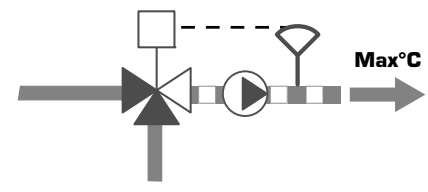
SERIES CRB100



NO.1 IN HYDRONIC SYSTEM CONTROL

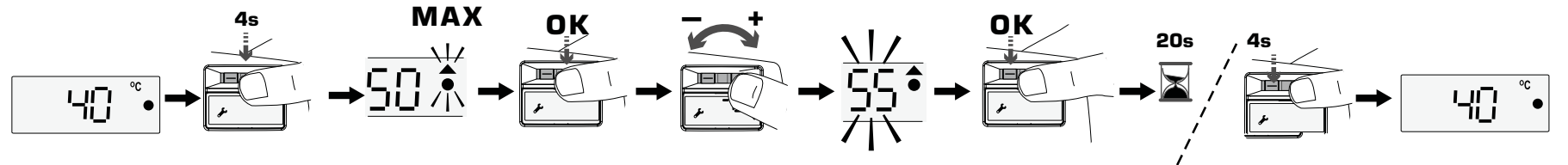


▲ = MAX

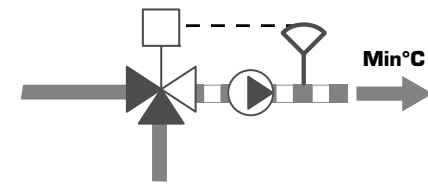


▲ Max°C
● Min°C
▼

	50 °C
	~40 - 50 °C
	~60 - 80 °C

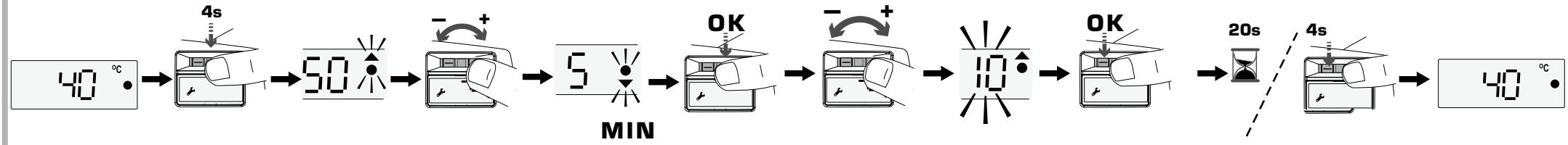


● = MIN



▲ Max°C
● Min°C
▼

	5 °C
	~5 - 25 °C
	~5 - 25 °C



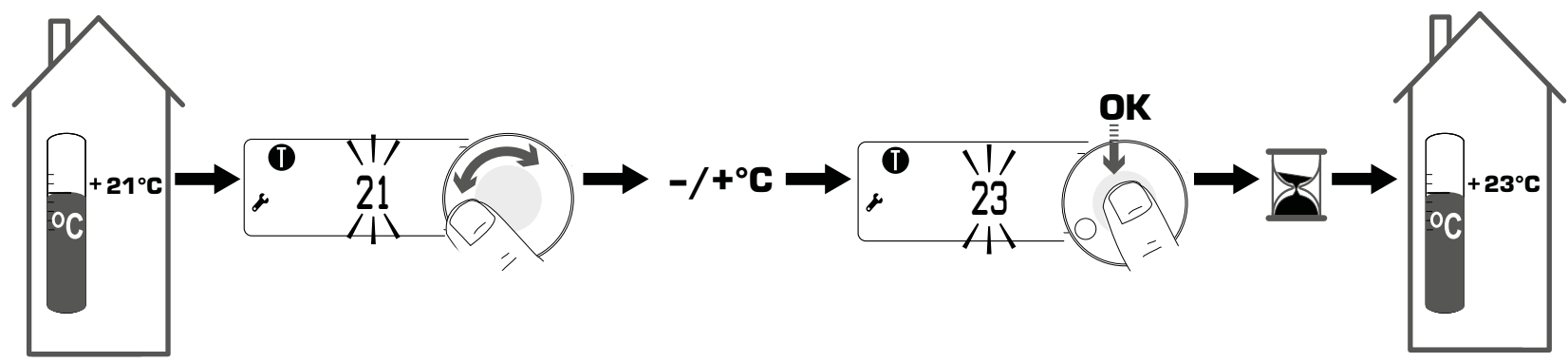
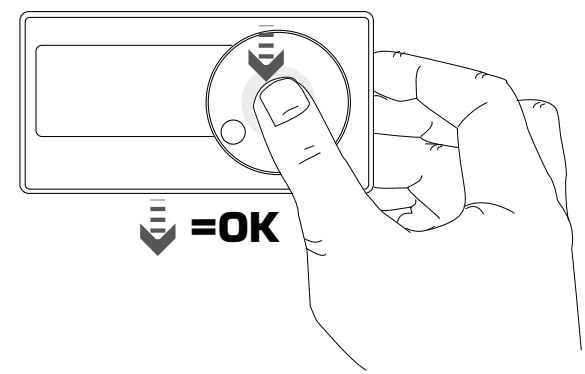
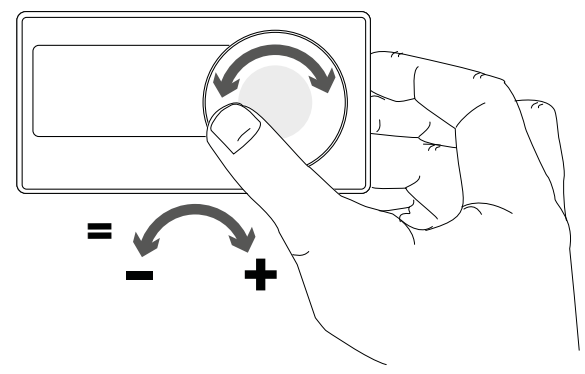
6

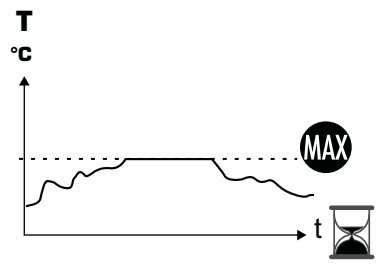
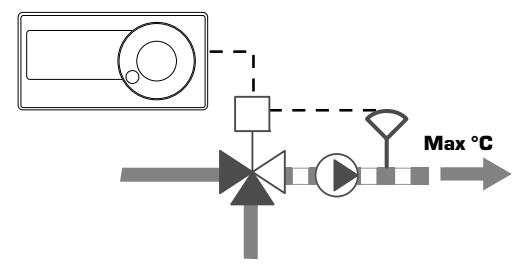


T

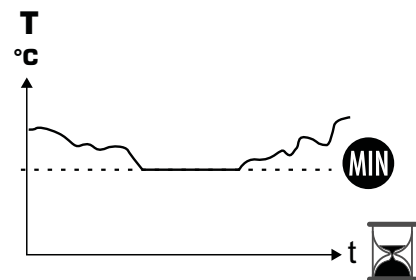
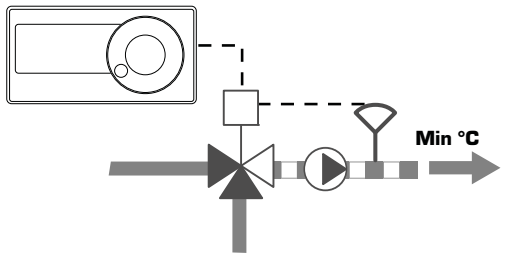
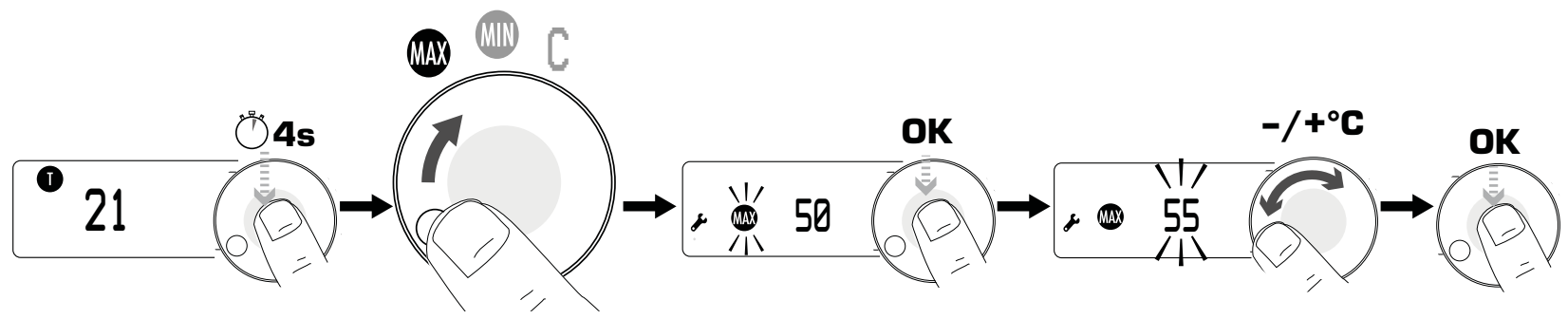


i

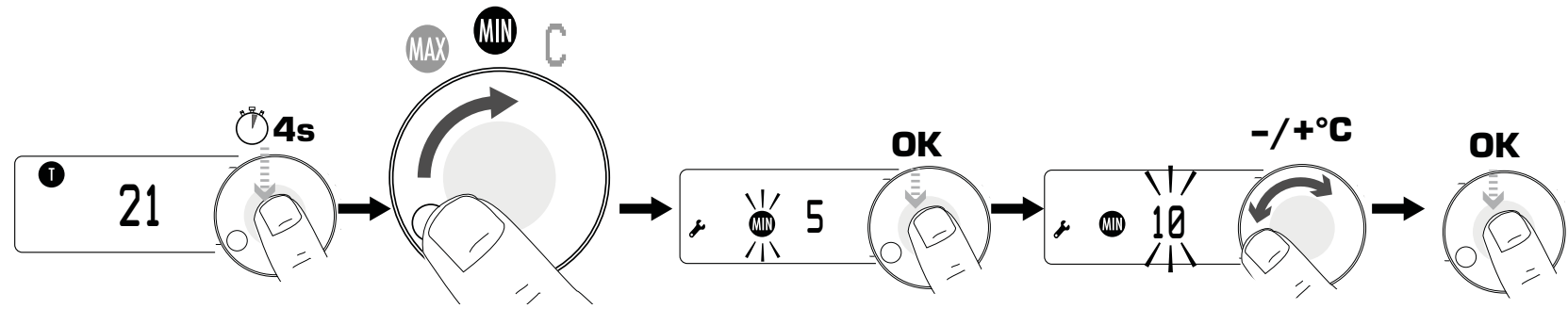


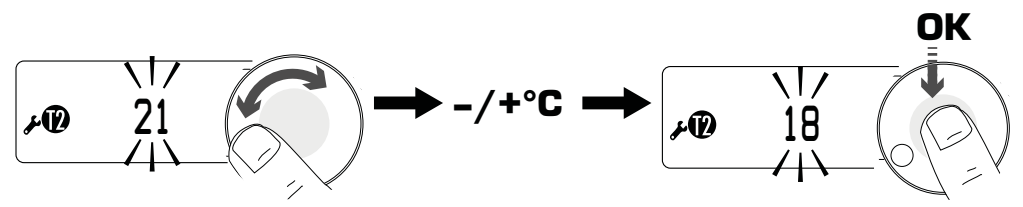
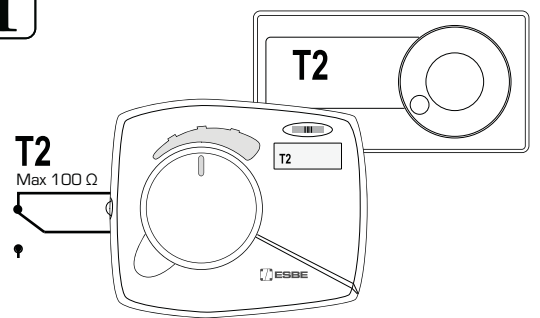
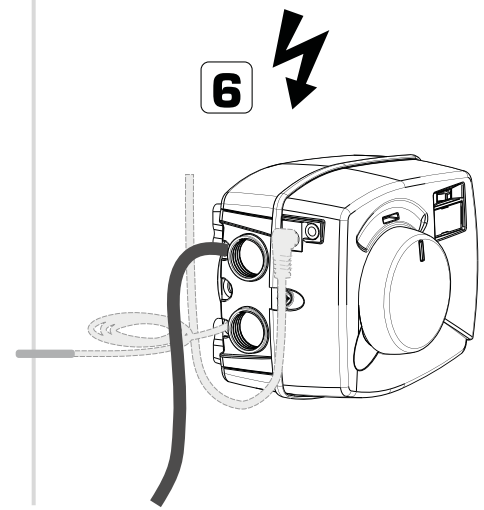
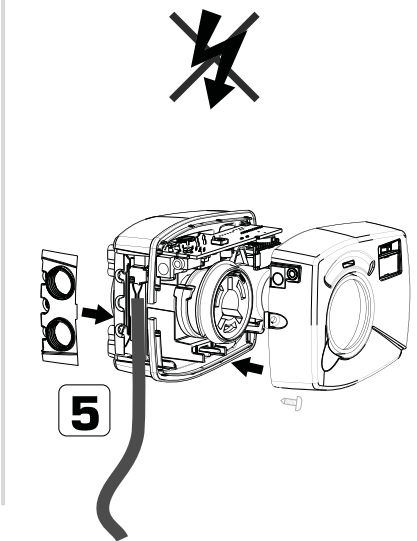
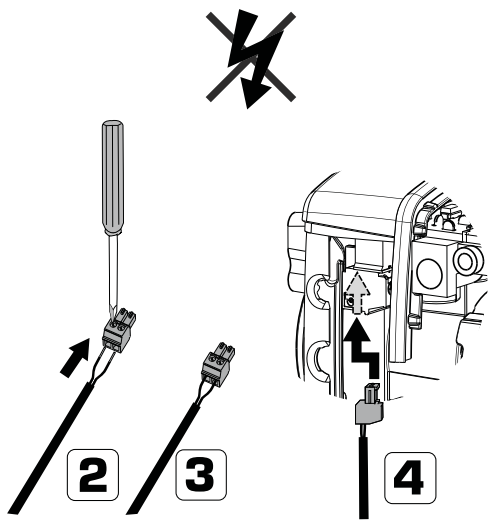
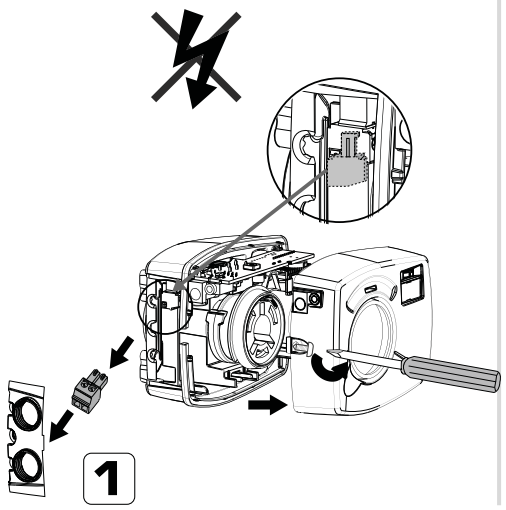
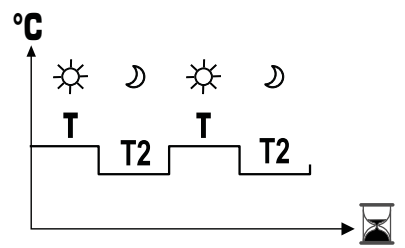
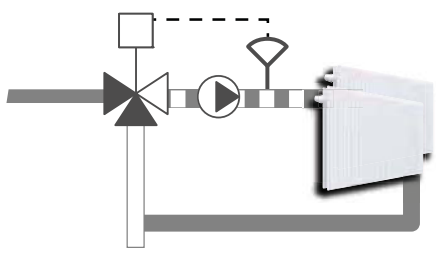


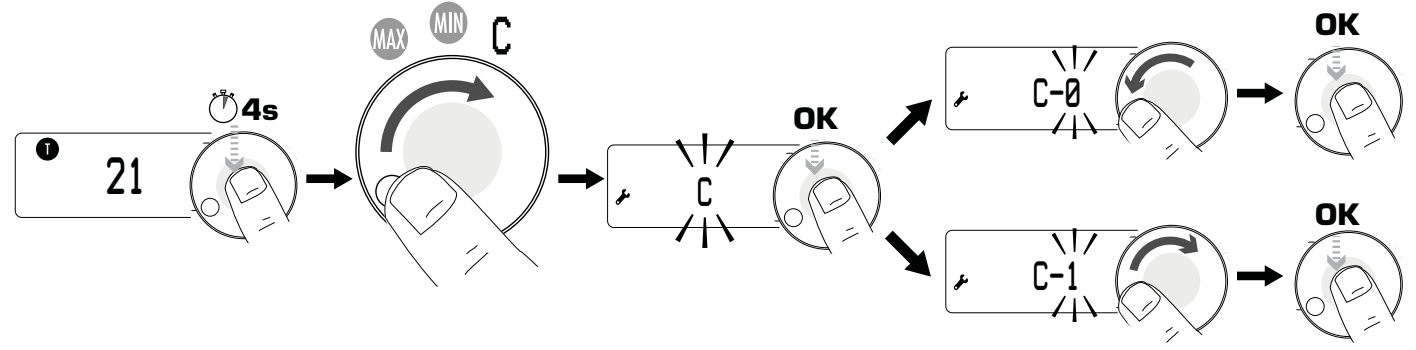
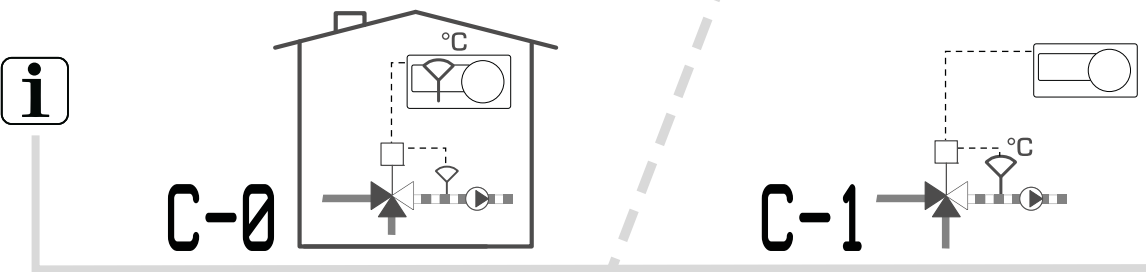
	50 °C
	~40 - 50 °C
	~60 - 80 °C
	60 °C



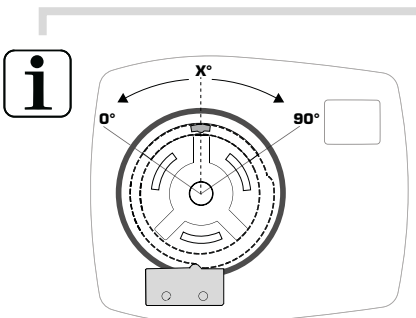
	5 °C
	~5 - 25 °C
	~5 - 25 °C
	~5 - 25 °C



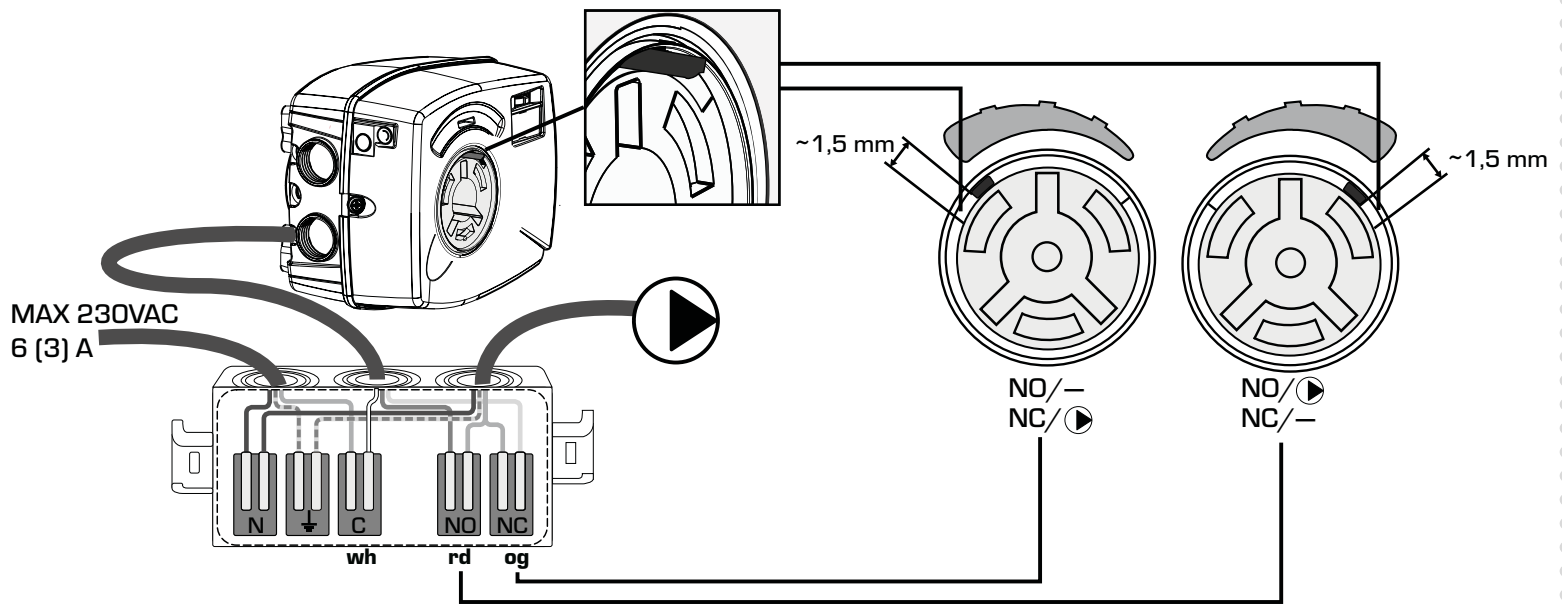




Series CRB113 **ON/OFF**



	0° - X°	X° - 90°
NO		
NC		
	X° = 45°	



T

i

