



**SERIES LTC200**



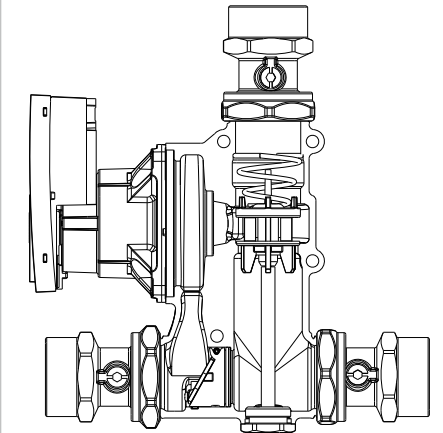
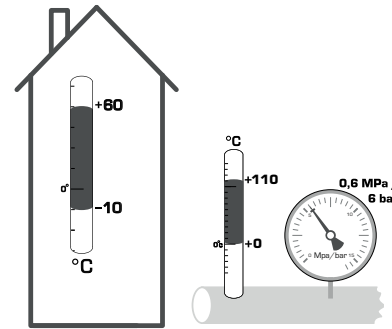
Mtrl.nr: 9814 04 60 • Ritn.nr: 4744 utg. D • Rev. 1609



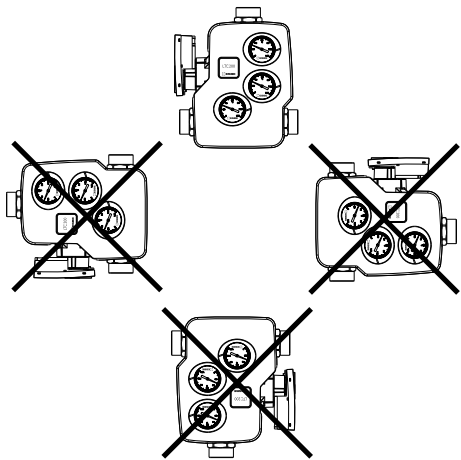
Series LTC261  
Series LTC271



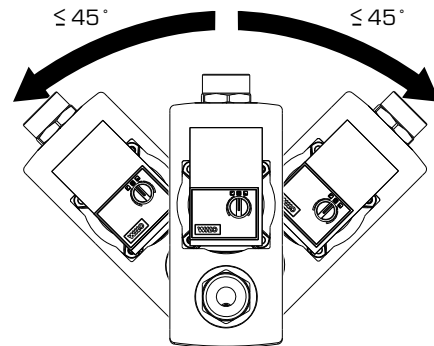
LVD 2014/35/EU  
ErP 2009/125/EU  
EMC 2014/30/EU  
ErP 2015  
RoHS 2011/65/EC  
PED 2014/68/EU, article 4.3



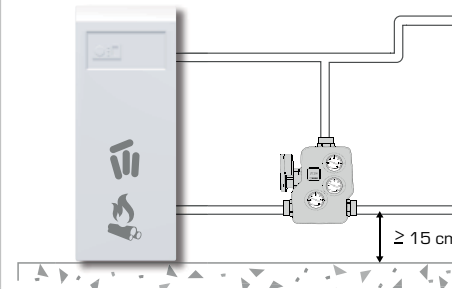
**1**



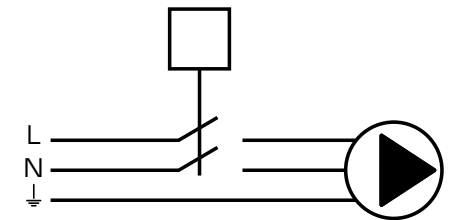
**2**




**3**

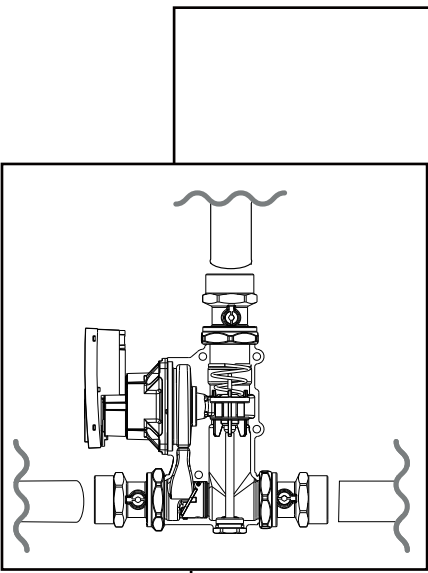
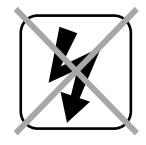
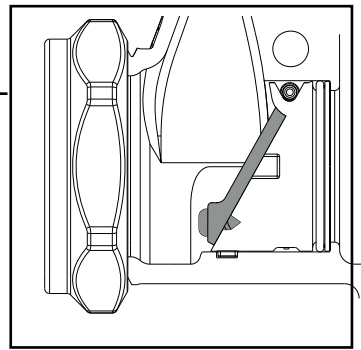
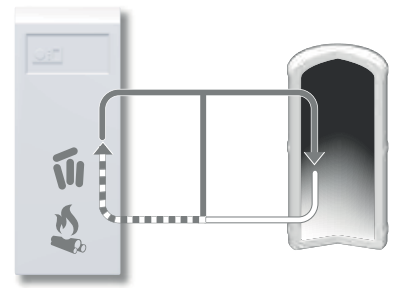


**230 VAC, 50Hz**

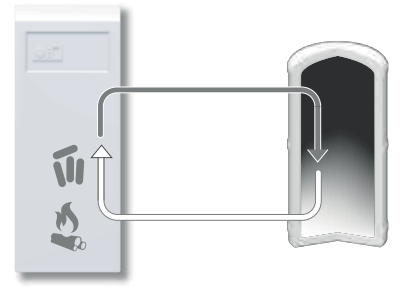
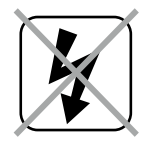
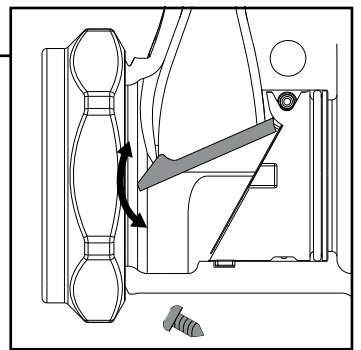
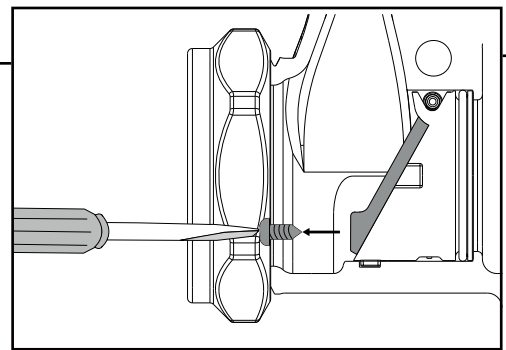
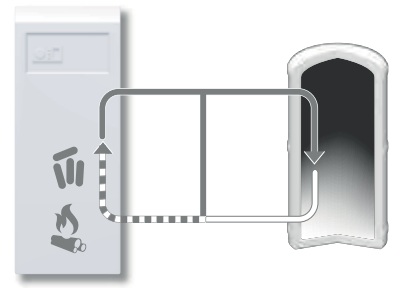


4

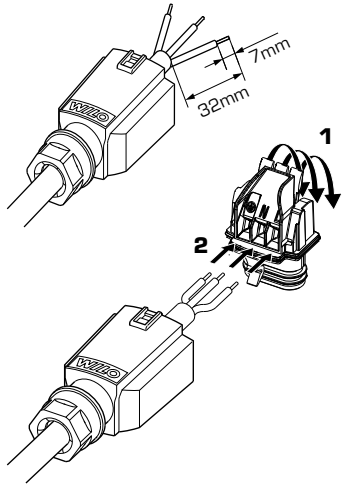
**a** 



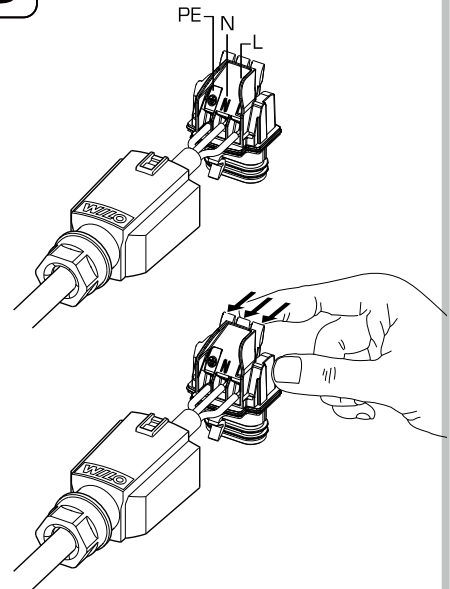
**b** 



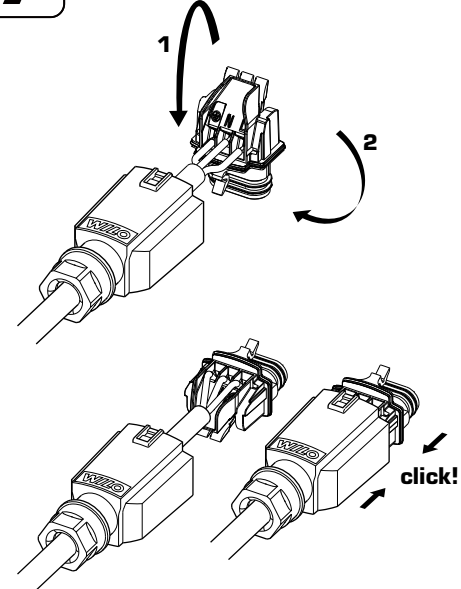
**5**



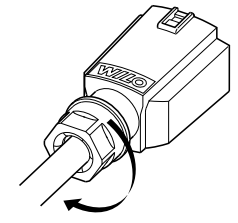
**6**



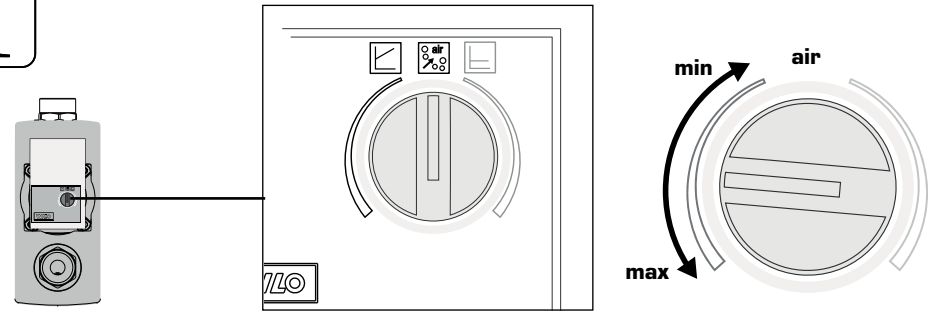
**7**



**8**

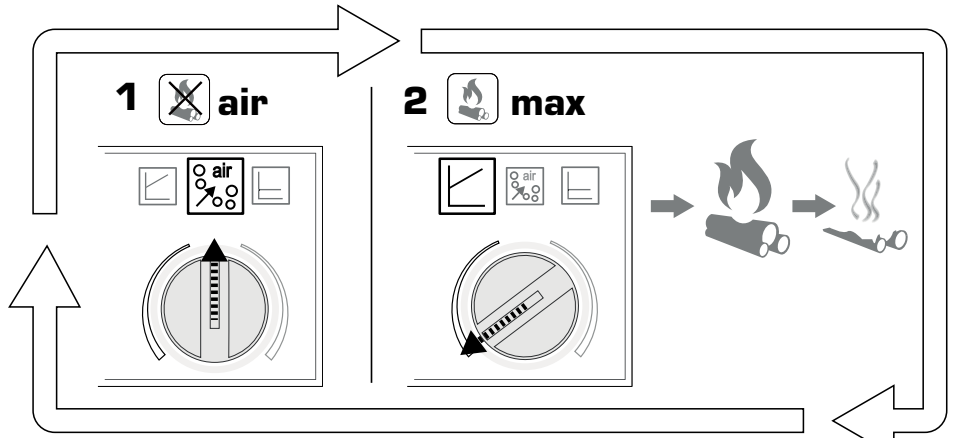


**i**



**9**

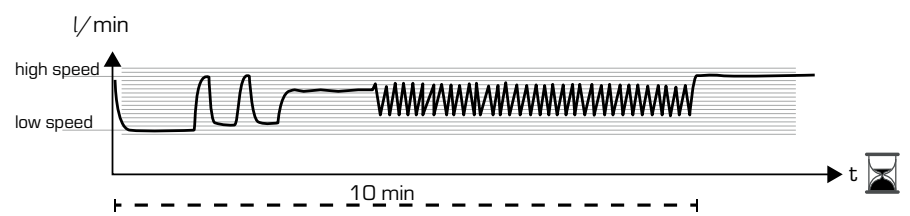
**Air venting at commissioning**



**i**



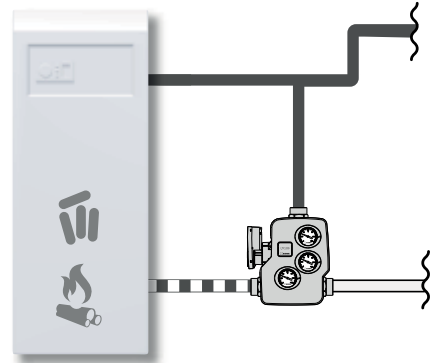
**Automatic air venting routine**



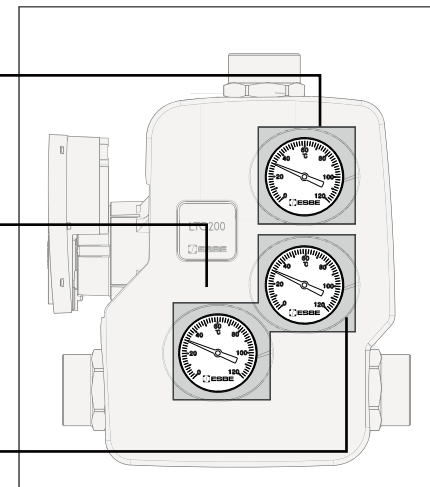
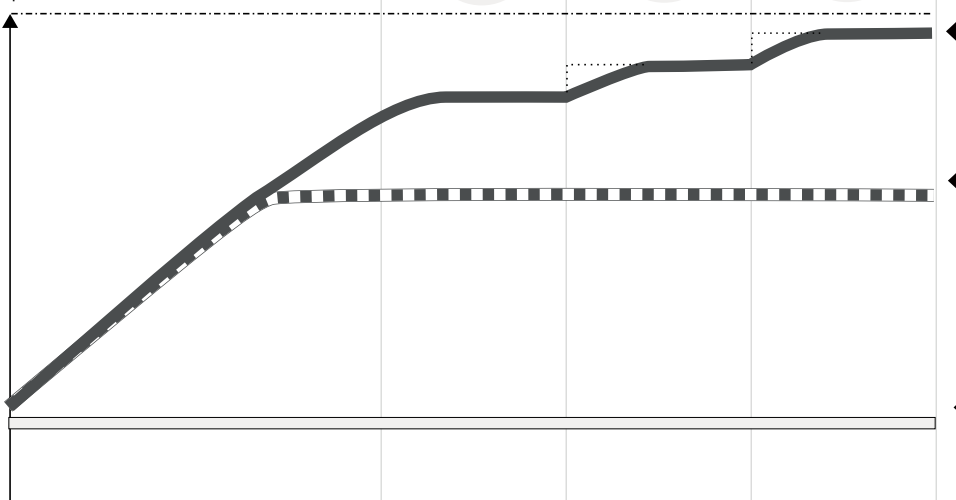
10



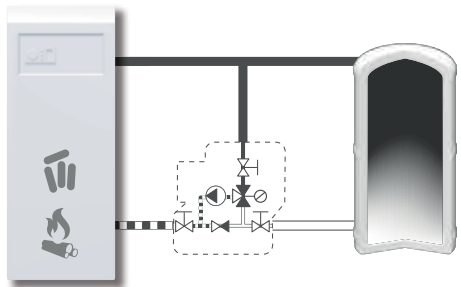
Optimising load temperature



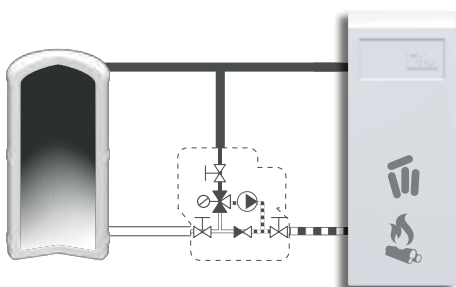
Temp °C



i

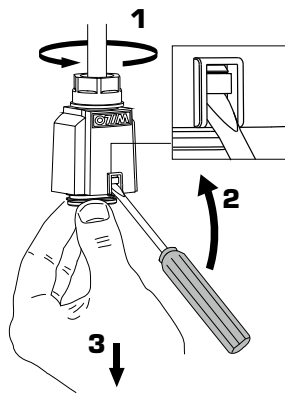


i



Piping Schematics are General Representations

i



i



www.esbe.eu