

# SPARE PARTS EXPLODED VIEW GAS-WALL BOILER ATM. BURNER

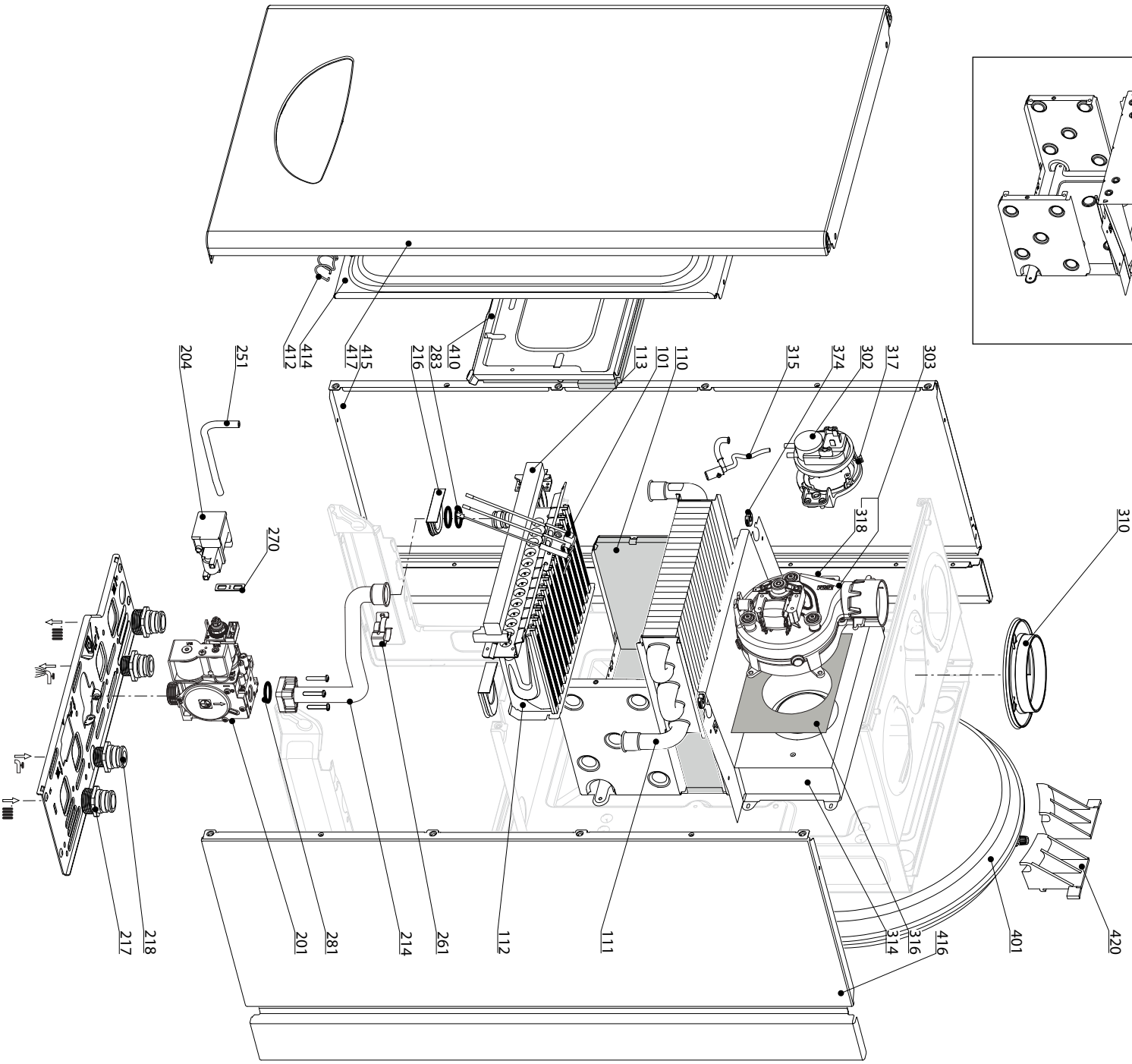
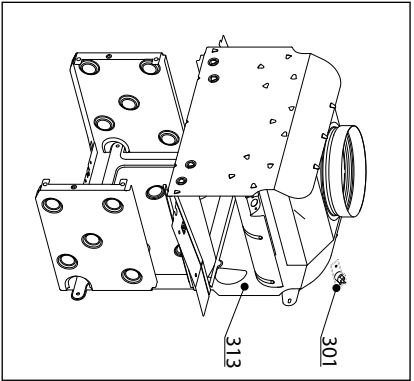
Model

## HS X - CARES X

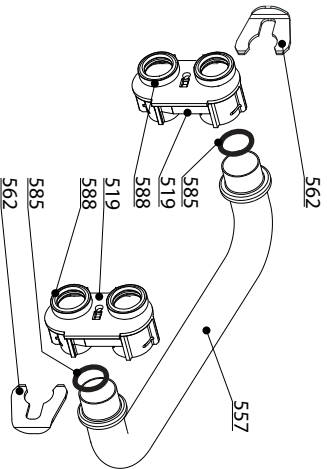
R8203464-07 - 24/09/2018

1	3300897	HS X 15 CF NG	09-2016	-
2	3300896	HS X 24 CF NG	09-2016	-
3	3300895	HS X 15 FF NG	09-2016	-
3	3300946	HS X 15 FF (RU)	12-2016	-
3	3301334	HS X 15 FF (RU)	07-2018	-
4	3300894	HS X 18 FF NG	09-2016	-
5	3300893	HS X 24 FF NG	09-2016	-
5	3301337	HS X 24 FF NG	02-2018	-
6	3300889	CARES X 15 CF NG	09-2016	-
7	3300888	CARES X 24 CF NG	09-2016	-
8	3300887	CARES X 15 FF NG	09-2016	-
9	3300886	CARES X 18 FF NG	09-2016	-
10	3300885	CARES X 24 FF NG	09-2016	-
10	3301332	CARES X 24 FF NG	01-2018	-
11	3300891	CARES SYSTEM X 24 CF NG	12-2016	07-2018
12	3300890	CARES X SYSTEM 24 FF NG	12-2016	07-2018

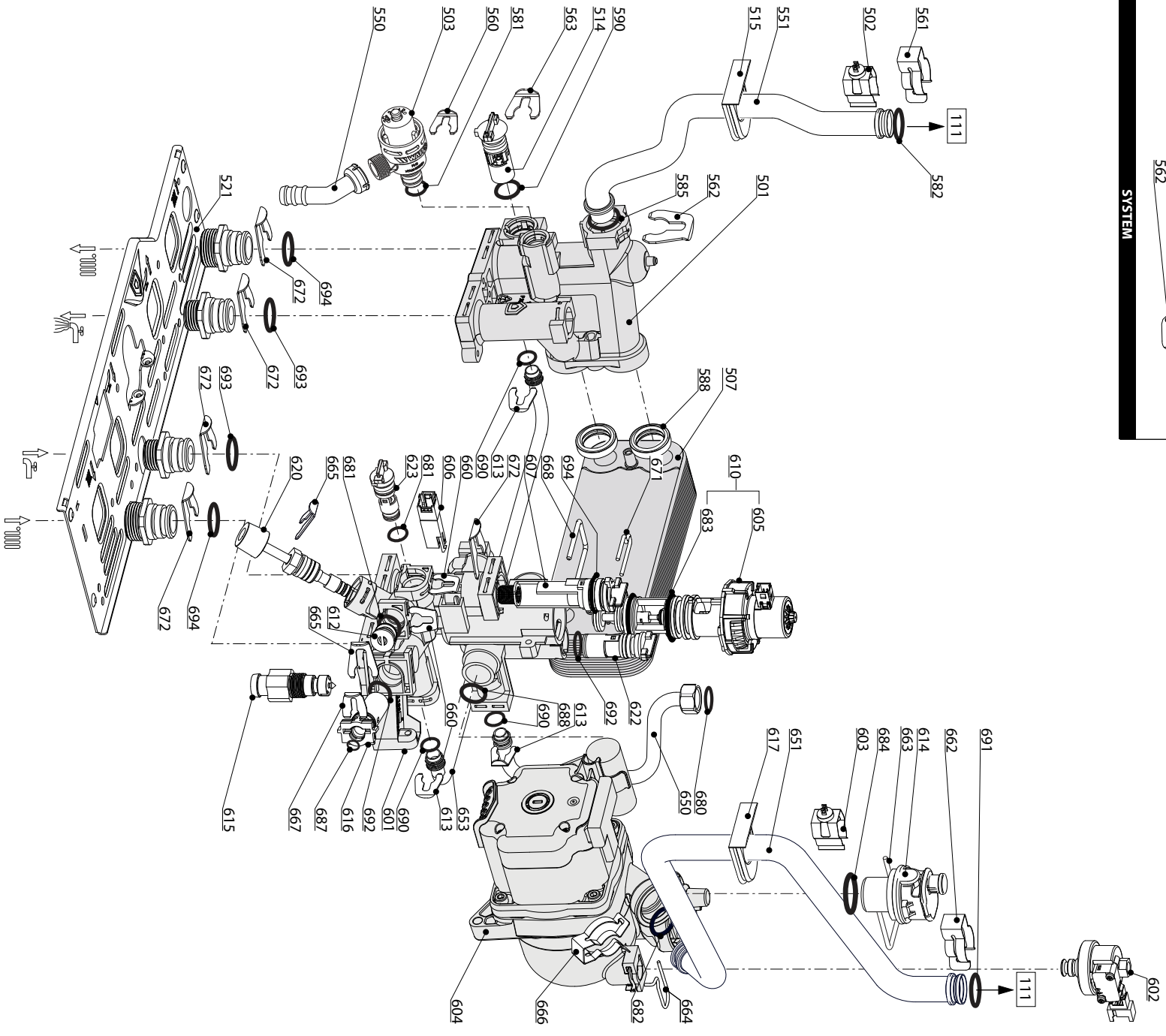
Col	Reference	Model type	Begin	End
-----	-----------	------------	-------	-----



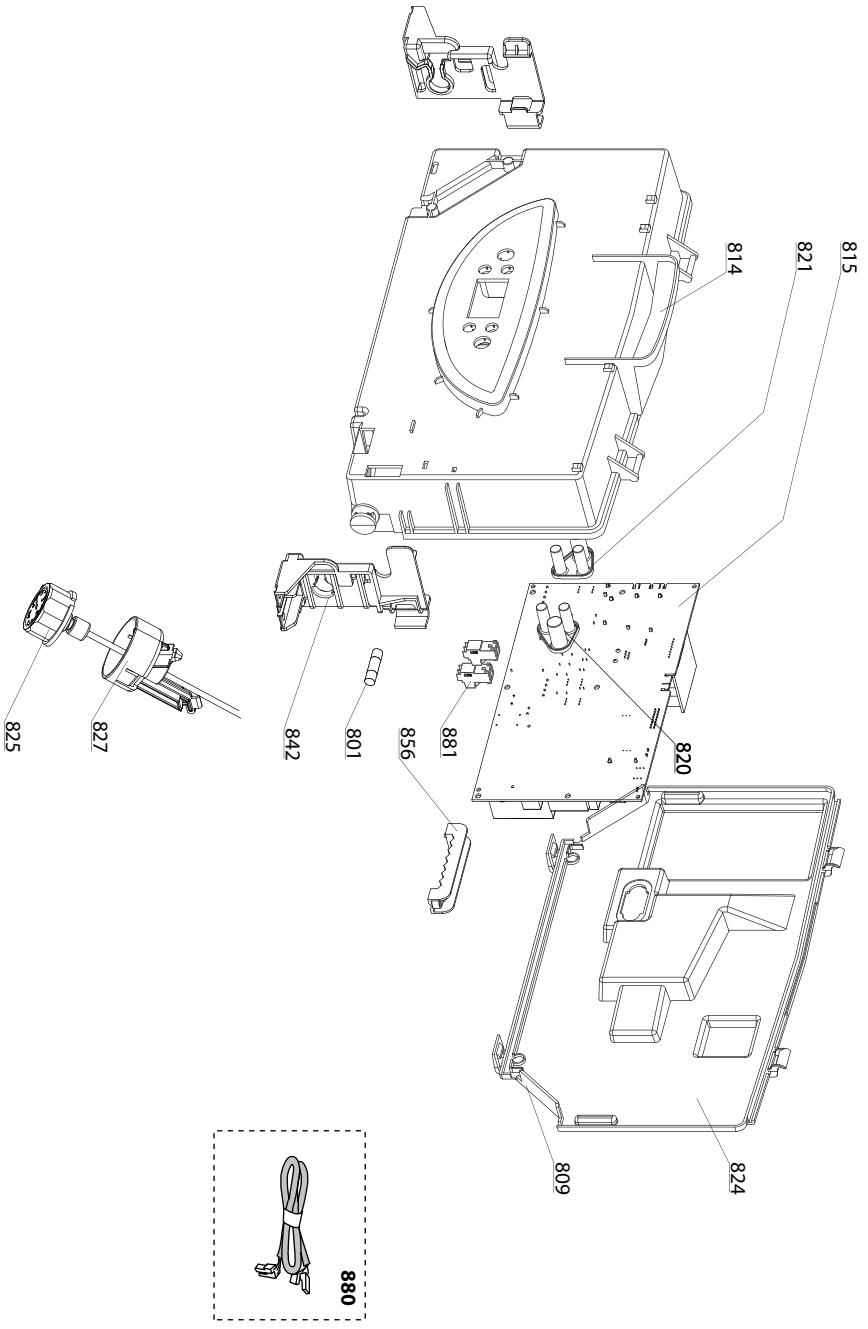
☉⇒	Description	Manf. Pt. N	Type	<div style="display: flex; justify-content: space-between; font-size: small;"> <span>HS X 15 CF</span> <span>HS X 24 CF</span> <span>HS X 15 FF</span> <span>HS X 18 FF</span> <span>HS X 24 FF</span> <span>CARES X 15 CF</span> <span>CARES X 24 CF</span> <span>CARES X 15 FF</span> <span>CARES X 18 FF</span> <span>CARES X 24 FF</span> <span>CARES X SYSTEM 24 CF</span> <span>CARES X SYSTEM 24 FF</span> </div>																		From	to
				1	2	3	4	5	6	7	8	9	10	11	12	13	14	15	16	17	18		
<b>0100</b>	<b>ГОРЕЛКА</b>																						
0101	ЭЛЕКТРОДЫ РОЗЖИГА/ИОНИЗАЦИИ	65115802		●	●	●	●	●	●	●	●	●	●	●	●	●	●	●	●				
0110	ТЕПЛОИЗОЛЯЦИЯ (КОМПЛЕКТ)	65104695		●	●				●	●													
	ТЕПЛОИЗОЛЯЦИЯ (КОМПЛЕКТ)	65106298				●	●	●			●	●	●						●				
0111	ОСНОВНОЙ ТЕПЛООБМЕННИК	65104247		●	●				●	●									●				
	ОСНОВНОЙ ТЕПЛООБМЕННИК	65115065				●	●	●			●	●	●						●				
0112	ГОРЕЛКА 11NP	65106294				●	●	●			●	●	●						●				
	ГОРЕЛКА 13NP	60001582		●	●				●	●									●				
0113	ГАЗОВЫЙ КОЛЛЕКТОР 11 INJ. D:1.32	65106302	G20			●	●	●			●	●	●						●				
	ГАЗОВЫЙ КОЛЛЕКТОР 13 INJ. D:1.25	65104302	G20	●	●				●	●									●				
<b>0200</b>	<b>ГАЗОВАЯ ЧАСТЬ</b>																						
0201	ГАЗОВЫЙ КЛАПАН	65115771		●	●	●	●	●	●	●	●	●	●	●	●	●	●	●	●				
0204	БЛОК РОЗЖИГА	65115791		●	●	●	●	●	●	●	●	●	●	●	●	●	●	●	●				
0214	ПАТРУБОК (ГАЗОВЫЙ КЛАПАН/ГОРЕЛКА)	65115772		●	●	●	●	●	●	●	●	●	●	●	●	●	●	●	●				
0216	УПЛОТНЕНИЕ	60000624		●	●	●	●	●	●	●	●	●	●	●	●	●	●	●	●				
0217	СОЕДИНЕНИЕ (3/4")	65114929		●	●	●	●	●	●	●	●	●	●	●	●	●	●	●	●				
0218	СОЕДИНЕНИЕ (1/2")	65114930		●	●	●	●	●	●	●	●	●	●	●	●	●	●	●	●				
0251	ТРУБКА EPDM	65115773		●	●	●	●	●	●	●	●	●	●	●	●	●	●	●	●				
0261	КЛИПСА	60001861		●	●	●	●	●	●	●	●	●	●	●	●	●	●	●	●				
0270	ПРОКЛАДКА БЛОКА РОЗЖИГА	574279		●	●	●	●	●	●	●	●	●	●	●	●	●	●	●	●				
0281	O-КОЛЬЦО 22.22X2.62	65104304		●	●	●	●	●	●	●	●	●	●	●	●	●	●	●	●				
0283	O-КОЛЬЦО 17.17X1.78	65104303		●	●	●	●	●	●	●	●	●	●	●	●	●	●	●	●				
<b>0300</b>	<b>ДЫМОУДАЛЕНИЕ И ВОЗДУХОПОДАЧА</b>																						
0301	ТЕРМОСТАТ 75-65°C	999539		●	●	●	●	●	●	●	●	●	●	●	●	●	●	●	●				
0302	ПНЕВМОРЕЛЕ 50 Pa	65104671-01				●	●	●			●	●	●					●					
0303	ВЕНТИЛЯТОР 24 KW	65115813				●	●	●			●	●	●					●					
0310	ПАТРУБОК ЗАБОРА ВОЗДУХА	65115914				●	●	●			●	●	●					●					
0313	СТАБИЛИЗАТОР ТЯГИ 24 CF	65104218		●	●				●	●								●					
0314	КАМЕРА СГОРАНИЯ 24 FF	65115800				●	●	●			●	●	●					●					
0315	КОНДЕНСАТООТВОДЧИК	65105349				●	●	●			●	●	●					●					
0316	ТЕПЛОИЗОЛЯЦИЯ ВЕНТИЛЯТОРА	65104305				●	●	●			●	●	●					●					
0317	КРОНШТЕЙН ПНЕВМОРЕЛЕ	65115812				●	●	●			●	●	●					●					
0318	ТРУБКА ВЕНТУРИ 15/24 FF	65106516				●	●	●			●	●	●					●					
0319	ДИАФРАГМА	60001598		●	●	●	●	●	●	●	●	●	●	●	●	●	●	●	●				
0374	УПЛОТНЕНИЕ ДЛЯ КАБЕЛЯ	60000716		●	●	●	●	●	●	●	●	●	●	●	●	●	●	●	●				
<b>0400</b>	<b>КОРПУС</b>																						
0401	РАСШИРИТЕЛЬНЫЙ БАК 8Л	65104261		●	●	●	●	●	●	●	●	●	●	●	●	●	●	●	●				
0410	ПАНЕЛЬ КАМЕРЫ СГОРАНИЯ	65104240		●	●				●	●								●					
	ПАНЕЛЬ КАМЕРЫ СГОРАНИЯ	65106296				●	●	●			●	●	●					●					
0414	ГЕРМЕТИЗИРУЮЩАЯ КРЫШКА	65105678-02				●	●	●			●	●	●					●					
0416	ПАНЕЛЬ КОРПУСА (ЛЕВАЯ + ПРАВАЯ) - WHITE	65115804		●	●	●	●	●	●	●	●	●	●	●	●	●	●	●	●				
0417	ПАНЕЛЬ КОРПУСА (ПЕРЕДНЯЯ)	65115823							●	●	●	●	●	●	●	●	●	●					
	ПАНЕЛЬ КОРПУСА (ПЕРЕДНЯЯ)	65115824		●	●	●	●	●			●	●	●	●	●	●	●	●	●				
0420	КРОНШТЕЙН РАСШИРИТЕЛЬНОГО БАКА	65104696		●	●	●	●	●	●	●	●	●	●	●	●	●	●	●	●				



SYSTEM

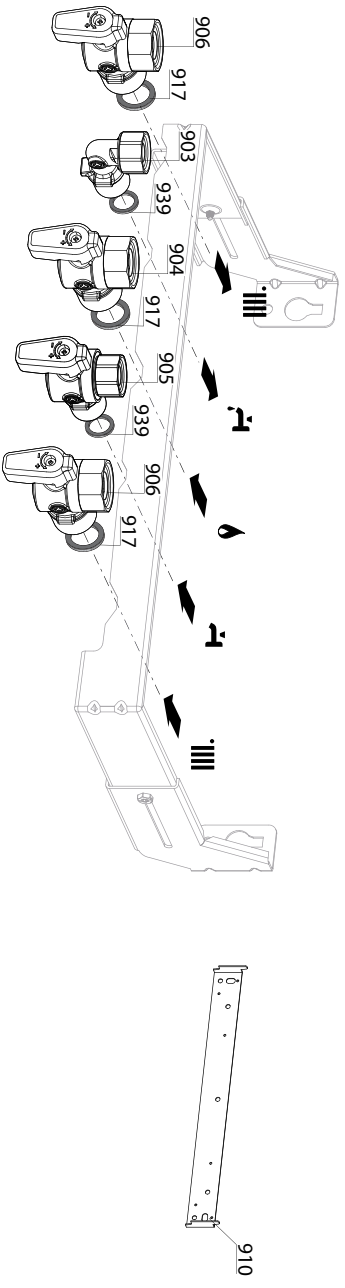






HS X - CARES X

Gas-wall boiler atm. burner



☉⇒	Description	Manf. Pt. N	Type	<div style="display: flex; justify-content: space-between; font-size: small;"> <span>HS X 15 CF</span><span>HS X 24 CF</span><span>HS X 15 FF</span><span>HS X 18 FF</span><span>HS X 24 FF</span><span>CARES X 15 CF</span><span>CARES X 24 CF</span><span>CARES X 15 FF</span><span>CARES X 18 FF</span><span>CARES X 24 FF</span><span>CARES X SYSTEM 24 CF</span><span>CARES X SYSTEM 24 FF</span> </div>																		From	to
				1	2	3	4	5	6	7	8	9	10	11	12	13	14	15	16	17	18		
<b>0800</b>	<b>ЭЛЕКТРИЧЕСКАЯ ЧАСТЬ</b>																						
0809	ЗАГЛУШКА	998382		●	●	●	●	●	●	●	●	●	●	●	●								
0814	КОРПУС БЛОКА УПРАВЛЕНИЯ (FRONT)	65115818							●	●	●	●	●	●	●								
	КОРПУС БЛОКА УПРАВЛЕНИЯ (FRONT)	65115819		●	●	●	●	●															
0815	ОСНОВНАЯ ПЛАТА	65115782-01		●	●	●	●	●	●	●	●	●	●	●	●								
0820	КНОПКА УПРАВЛЕНИЯ (ПРАВАЯ)	65153181		●	●	●	●	●	●	●	●	●	●	●	●								
0821	КНОПКА УПРАВЛЕНИЯ (ЛЕВАЯ)	65153180		●	●	●	●	●	●	●	●	●	●	●	●								
0824	КОРПУС ПАНЕЛИ УПРАВЛЕНИЯ (REAR)	65115820		●	●	●	●	●	●	●	●	●	●	●	●								
0825	МАНОМЕТР	65114200		●	●	●	●	●	●	●	●	●	●	●	●								
0827	КРОНШТЕЙН МАНОМЕТРА	65115809		●	●	●	●	●	●	●	●	●	●	●	●								
0842	БОКОВОЙ ФИКСАТОР ПАНЕЛИ УПРАВЛЕНИЯ	65115811		●	●	●	●	●	●	●	●	●	●	●	●								
0856	ЗАЖИМ ДЛЯ КАБЕЛЯ	65103377		●	●	●	●	●	●	●	●	●	●	●	●								
0880	КАБЕЛЬ 3-Х ХОДОВОГО КЛАПАНА	65115790		●	●	●	●	●	●	●	●	●	●	●	●								
	КАБЕЛЬ 3-Х ХОДОВОГО КЛАПАНА	65115937														●	●						
	КАБЕЛЬ ЭЛЕКТРОДА ИОНИЗАЦИИ	60001883		●	●	●	●	●	●	●	●	●	●	●	●								
	КАБЕЛЬ ЗАЗЕМЛЕНИЯ	65104286		●	●	●	●	●	●	●	●	●	●	●	●								
	КАБЕЛЬ ПИТАНИЯ 240V	60001619		●	●	●	●	●	●	●	●	●	●	●	●								
	КАБЕЛЬ ДАТЧИК ТЕМП. - ПНЕВМОРЕЛЕ	65115789		●	●	●	●	●	●	●	●	●	●	●	●								
	КАБЕЛЬ НАСОСА 1V WILO	65105081	WILO	●	●	●	●	●	●	●	●	●	●	●	●								
0881	КОННЕКТОР 2P	65111933		●	●	●	●	●	●	●	●	●	●	●	●								
	КОННЕКТОР 3P (x5)	65111934-01		●	●	●	●	●	●	●	●	●	●	●	●								
<b>0900</b>	<b>МОНТАЖНЫЕ АКСЕССУАРЫ</b>																						
0903	ПАТРУБОК ПОДКЛЮЧЕНИЯ ГВС	60000891		●	●	●	●	●	●	●	●	●	●	●	●								
0904	КРАН ГАЗА	60000898		●	●	●	●	●	●	●	●	●	●	●	●								
0905	КРАН ХОЛОДНОЙ ВОДЫ	60000894		●	●	●	●	●	●	●	●	●	●	●	●								
0906	КРАН ПОДАЧИ/ВОЗВРАТА ТЕПЛОНОСИТЕЛЯ	60000885		●	●	●	●	●	●	●	●	●	●	●	●								
0910	КРОНШТЕЙН	60000625		●	●	●	●	●	●	●	●	●	●	●	●								
0917	ПЛОСКАЯ ПРОКЛАДКА D:24-17-1.5	60061855-19		●	●	●	●	●	●	●	●	●	●	●	●								
0939	ПЛОСКАЯ ПРОКЛАДКА D:18.4-12.2-1.5	60061855-14		●	●	●	●	●	●	●	●	●	●	●	●								

## LIST OF THE ABBREVIATIONS

HW .....	: Hot water.
CW .....	: Cold water.
C .....	: Ceramic resistance (normal heating).
Ca .....	: Ceramic resistance (accelerated heating)
TP .....	: Immersion heater.
1F .....	: With fittings.
2F .....	: Without fittings.
3F .....	: With fittings and another outlet connection.
AMI .....	: With mixing valve.
SMI .....	: Without mixing valve.
PUISS .....	: Power of th appliance.
PN .....	: Appliance with normal pression.
LP .....	: Appliance with low pression.
PV .....	: Appliance with variable power.
PF .....	: Appliance with fixed power.

## IDENTIFICATION PLATE

### SERIAL NUMBER

<b>10 Characters :</b>	04 05 125 011	
	_____	Sequential number
	_____	Manufacturing day
	_____	Year of manufacture
<b>11 Characters :</b>	1 95 065004 - 31	
Month of manufacture :	_____	Technical number of the appliance
from 1 to 9 → Jan. to Sep.,	_____	Sequential number
O → Oct., N → Nov.,	_____	Year of manufacture
D → Dec.	_____	
<b>19 Characters :</b>	08 05 0013199 900640031	
Year of manufacture	_____	Product reference
Month of manufacture	_____	Sequential number
<b>20 Characters :</b>	3675007 XX 2 07 070 00315	
Product reference	_____	Sequential number
Millenium of manufacture	_____	Manufacturing day
	_____	Year of manufacture
<b>21 Characters :</b>	3675007 XX 07 070 0000315	
Product reference	_____	Sequential number
Year of manufacture	_____	Manufacturing day