

SPARE PARTS EXPLODED VIEW GAS-WALL BOILER ATM. BURNER

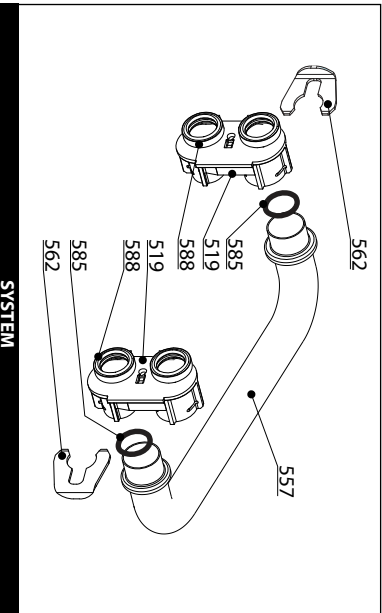
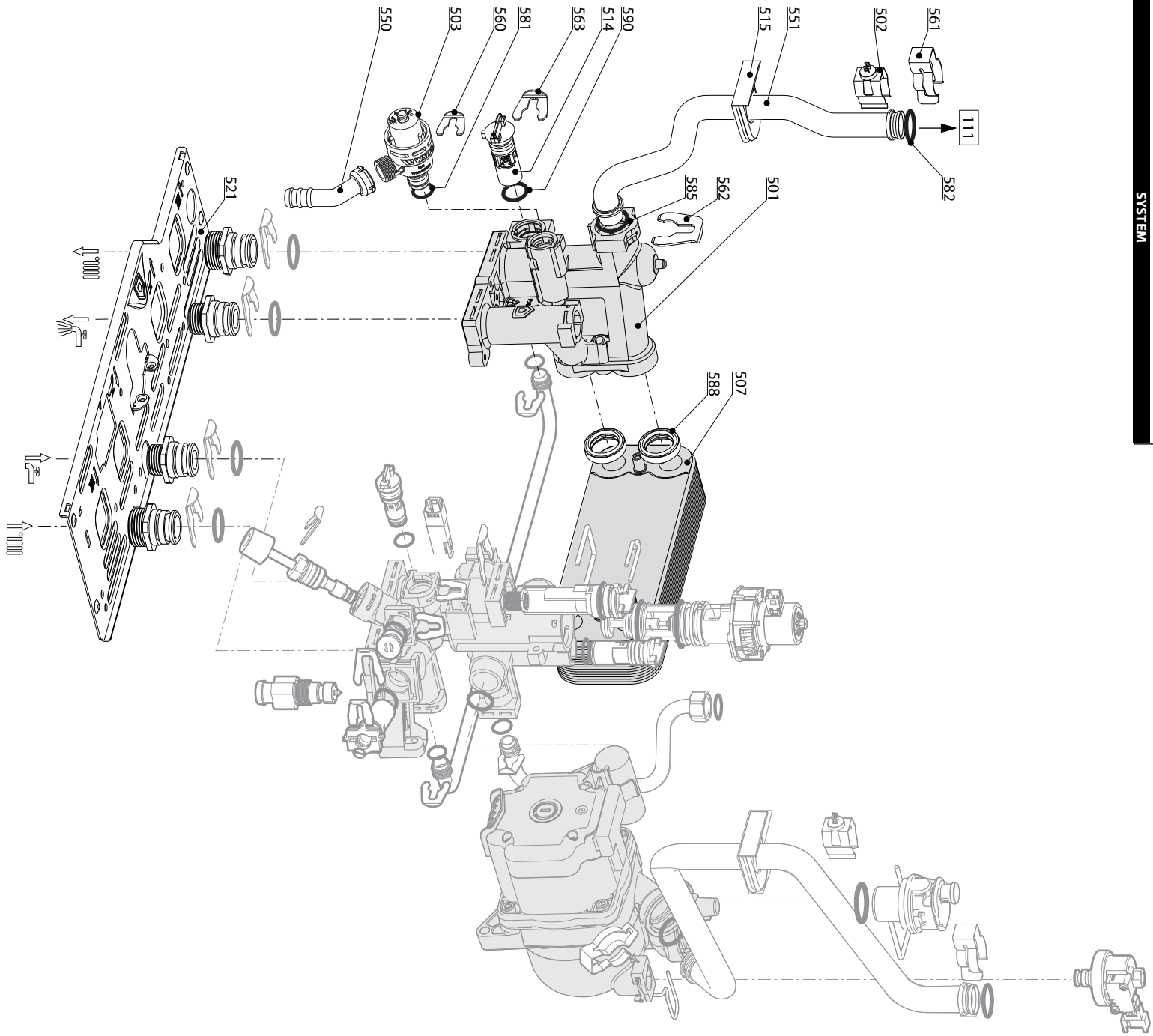
Model

HS X - CARES X

R8203464-10 - 30/09/2019

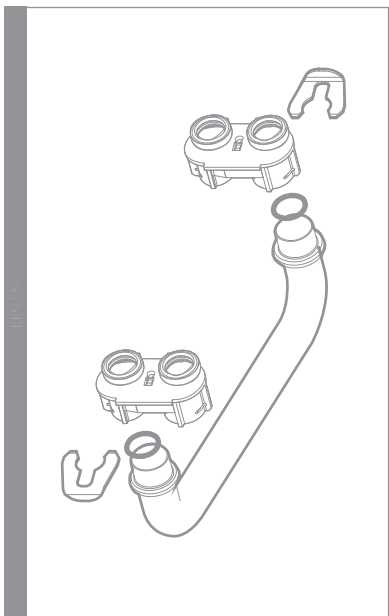
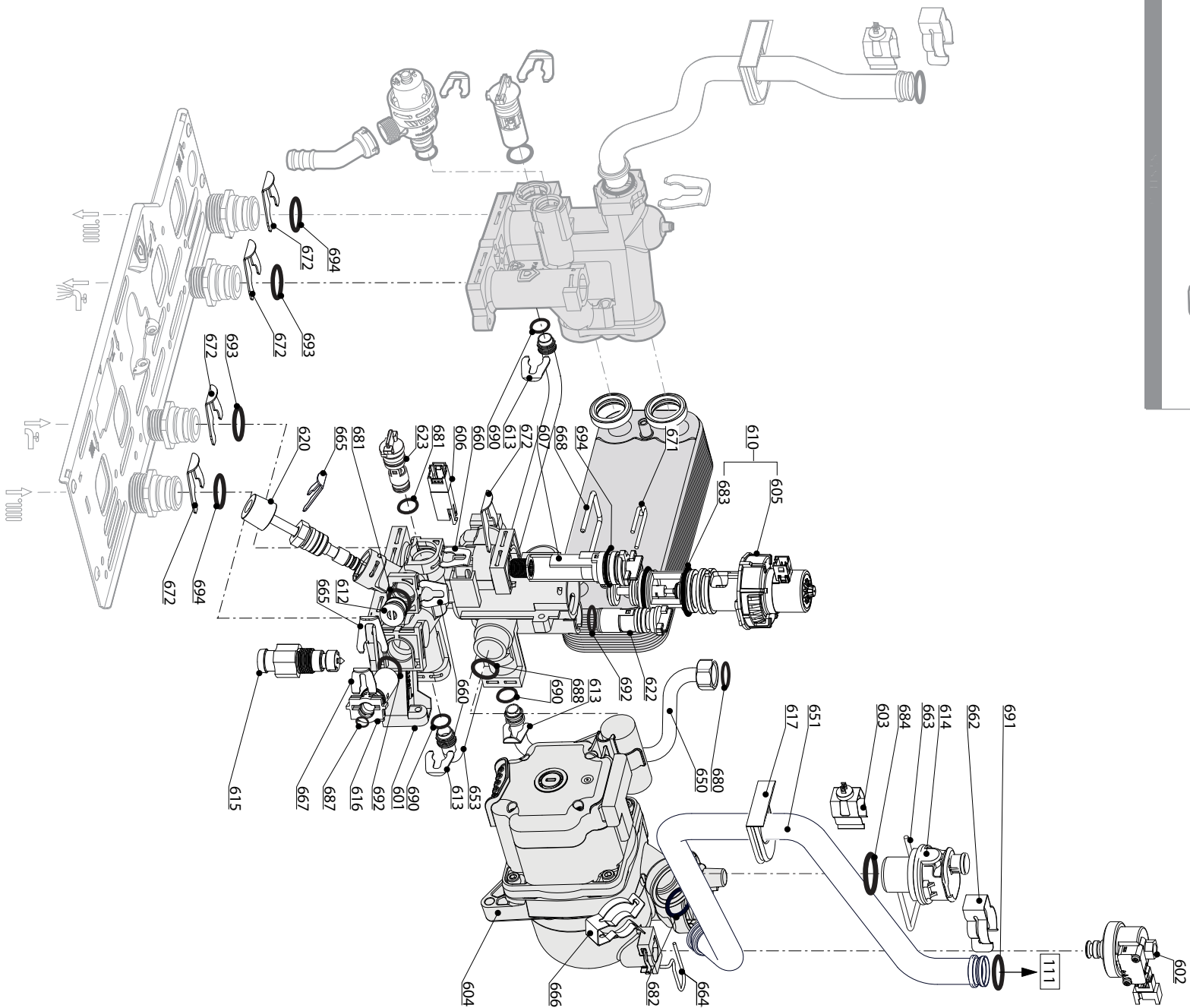
1	3300897	HS X 15 CF NG	09-2016	09-2019
2	3300896	HS X 24 CF NG	09-2016	-
3	3301527	HS X 10 FF NG	06-2019	-
4	3300895	HS X 15 FF NG	09-2016	-
4	3300946	HS X 15 FF (RU)	12-2016	-
4	3301334	HS X 15 FF (RU)	07-2018	06-2019
5	3300894	HS X 18 FF NG	09-2016	-
6	3300893	HS X 24 FF NG	09-2016	-
6	3301337	HS X 24 FF NG	09-2018	-
7	3300889	CARES X 15 CF NG	09-2016	-
8	3300888	CARES X 24 CF NG	09-2016	-
9	3301526	CARES X 10 FF NG	06-2019	-
10	3300887	CARES X 15 FF NG	09-2016	-
11	3300886	CARES X 18 FF NG	09-2016	-
12	3300885	CARES X 24 FF NG	09-2016	-
12	3301332	CARES X 24 FF NG	09-2018	-
13	3300891	CARES SYSTEM X 24 CF NG	12-2016	07-2018
14	3300890	CARES X SYSTEM 24 FF NG	12-2016	07-2018
Col	Reference	Model type	Begin	End

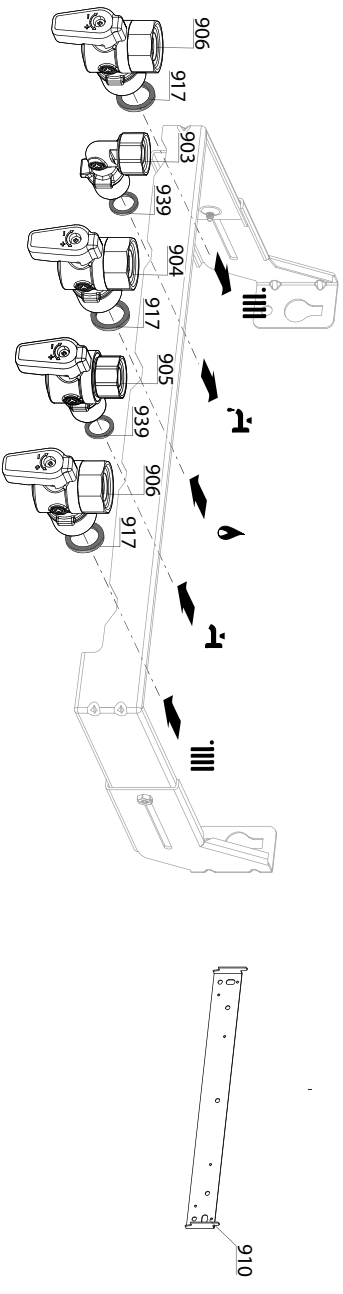
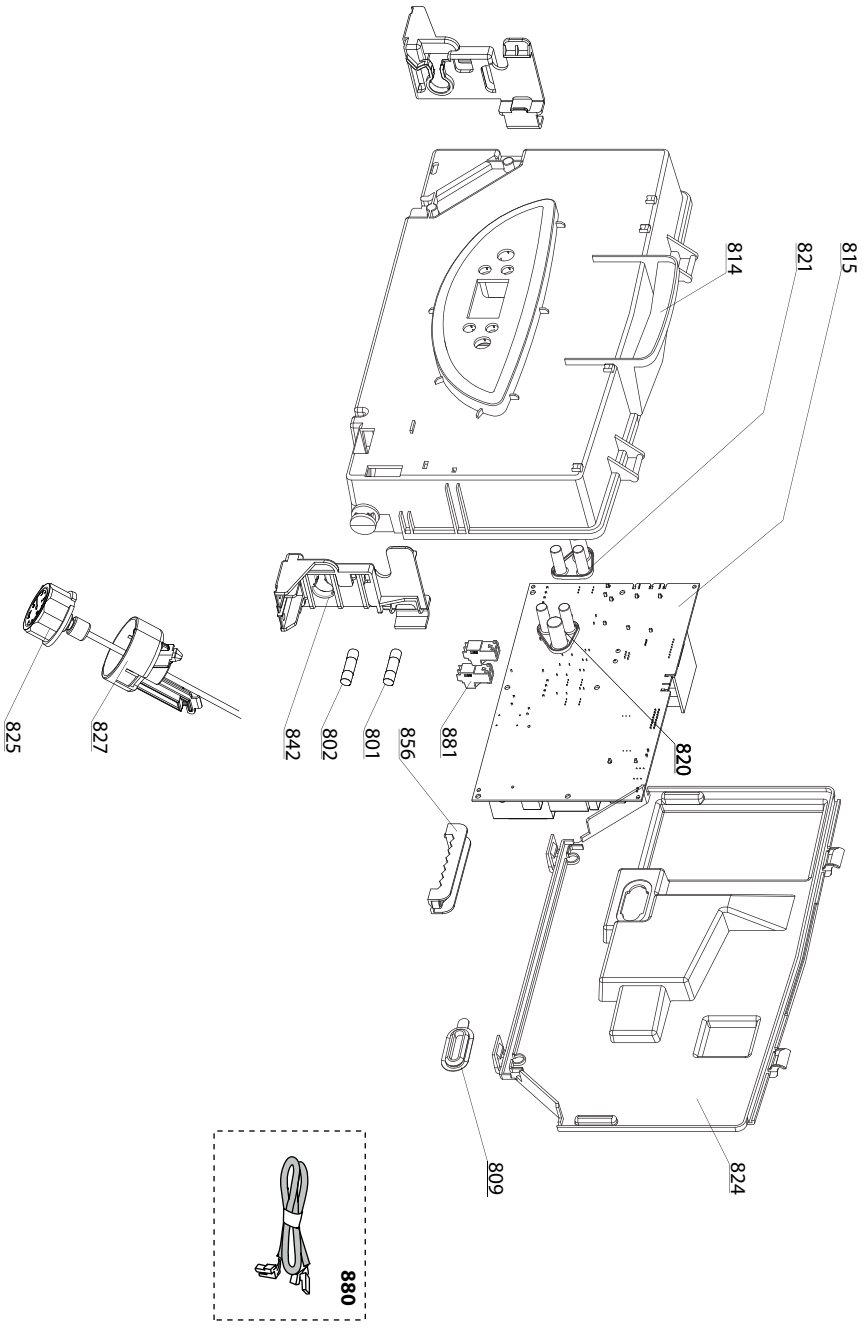
☉⇒	Description	Manf. Pt. N	Type																			From	to
				1	2	3	4	5	6	7	8	9	10	11	12	13	14	15	16	17	18		
0100	ГОРЕЛКА																						
0101	ЭЛЕКТРОДЫ РОЗЖИГА/ИОНИЗАЦИИ	65115802		●	●	●	●	●	●	●	●	●	●	●	●	●	●	●	●				
0110	ТЕПЛОИЗОЛЯЦИЯ (КОМПЛЕКТ)	65104695		●	●					●	●								●				
	ТЕПЛОИЗОЛЯЦИЯ (КОМПЛЕКТ)	65106298				●	●	●	●			●	●	●	●				●				
0111	ОСНОВНОЙ ТЕПЛООБМЕННИК (CU)	65104247		●	●					●	●								●				
	ОСНОВНОЙ ТЕПЛООБМЕННИК (KIT) CU 24	65119090				●	●	●	●			●	●	●	●				●				
0112	ГОРЕЛКА 11NP	65106294				●	●	●	●			●	●	●	●				●				
	ГОРЕЛКА 13NP	60001582		●	●					●	●								●				
0113	ГАЗОВЫЙ КОЛЛЕКТОР 11 INJ. D:1.32	65106302	G20			●	●	●	●			●	●	●	●				●				
	ГАЗОВЫЙ КОЛЛЕКТОР 13 INJ. D:1.25	65104302	G20	●	●					●	●								●				
0200	ГАЗОВАЯ ЧАСТЬ																						
0201	ГАЗОВЫЙ КЛАПАН	65115771		●	●	●	●	●	●	●	●	●	●	●	●	●	●	●	●				
0204	БЛОК РОЗЖИГА	65115791		●	●	●	●	●	●	●	●	●	●	●	●	●	●	●	●				
0214	ПАТРУБОК (ГАЗОВЫЙ КЛАПАН/ГОРЕЛКА)	65115772		●	●	●	●	●	●	●	●	●	●	●	●	●	●	●	●				
0216	УПЛОТНЕНИЕ	60000624		●	●	●	●	●	●	●	●	●	●	●	●	●	●	●	●				
0217	СОЕДИНЕНИЕ (3/4")	65114929		●	●	●	●	●	●	●	●	●	●	●	●	●	●	●	●				
0218	СОЕДИНЕНИЕ (1/2")	65114930		●	●	●	●	●	●	●	●	●	●	●	●	●	●	●	●				
0251	ТРУБКА EPDM	65115773		●	●	●	●	●	●	●	●	●	●	●	●	●	●	●	●				
0261	КЛИПСА	60001861		●	●	●	●	●	●	●	●	●	●	●	●	●	●	●	●				
0270	ПРОКЛАДКА БЛОКА РОЗЖИГА	574279		●	●	●	●	●	●	●	●	●	●	●	●	●	●	●	●				
0281	O-КОЛЬЦО 22.22X2.62	65104304		●	●	●	●	●	●	●	●	●	●	●	●	●	●	●	●				
0283	O-КОЛЬЦО 17.17X1.78	65104303		●	●	●	●	●	●	●	●	●	●	●	●	●	●	●	●				
0300	ДЫМОУДАЛЕНИЕ И ВОЗДУХОПОДАЧА																						
0301	ТЕРМОСТАТ 75-65°C	999539		●	●	●	●	●	●	●	●	●	●	●	●	●	●	●	●				
0302	ПНЕВМОРЕЛЕ 50 Pa	65104671-01				●	●	●	●			●	●	●	●	●	●	●	●				
0303	ВЕНТИЛЯТОР 24 KW	65115813				●	●	●	●			●	●	●	●	●	●	●	●				
0310	ПАТРУБОК ЗАБОРА ВОЗДУХА	65115914				●	●	●	●			●	●	●	●	●	●	●	●				
0313	СТАБИЛИЗАТОР ТЯГИ 24 CF	65104218		●	●					●	●								●				
0314	КАМЕРА СГОРАНИЯ 24 FF	65115800				●	●	●	●			●	●	●	●	●	●	●	●				
0315	КОНДЕНСАТООТВОДЧИК	65105349				●	●	●	●			●	●	●	●	●	●	●	●				
0316	ТЕПЛОИЗОЛЯЦИЯ ВЕНТИЛЯТОРА	65104305				●	●	●	●			●	●	●	●	●	●	●	●				
0317	КРОНШТЕЙН ПНЕВМОРЕЛЕ	65115812				●	●	●	●			●	●	●	●	●	●	●	●				
0318	ТРУБКА ВЕНТУРИ 15/24 FF	65106516				●	●	●	●			●	●	●	●	●	●	●	●				
0319	ДИАФРАГМА	60001598		●	●	●	●	●	●	●	●	●	●	●	●	●	●	●	●				
0374	УПЛОТНЕНИЕ ДЛЯ КАБЕЛЯ	60000716		●	●	●	●	●	●	●	●	●	●	●	●	●	●	●	●				
0400	КОРПУС																						
0401	РАСШИРИТЕЛЬНЫЙ БАК 8Л	65104261		●	●	●	●	●	●	●	●	●	●	●	●	●	●	●	●				
0410	ПАНЕЛЬ КАМЕРЫ СГОРАНИЯ	65104240		●	●					●	●								●				
	ПАНЕЛЬ КАМЕРЫ СГОРАНИЯ	65106296				●	●	●	●			●	●	●	●	●	●	●	●				
0412	ПРУЖИНА ПЕРЕДНЕЙ ПАНЕЛИ (KIT)	65107048				●	●	●	●			●	●	●	●	●	●	●	●				
0413	ЗАГЛУШКА ПОДАЧИ ВОЗДУХА	65104249		●	●					●	●								●				
0414	ГЕРМЕТИЗИРУЮЩАЯ КРЫШКА	65105678-02				●	●	●	●			●	●	●	●	●	●	●	●				
0416	ПАНЕЛЬ КОРПУСА (ЛЕВАЯ + ПРАВАЯ) - WHITE	65115804		●	●	●	●	●	●	●	●	●	●	●	●	●	●	●	●				
0417	ПАНЕЛЬ КОРПУСА (ПЕРЕДНЯЯ)	65115823				●	●	●	●			●	●	●	●	●	●	●	●				
	ПАНЕЛЬ КОРПУСА (ПЕРЕДНЯЯ)	65115824		●	●	●	●	●	●			●	●	●	●	●	●	●	●				
0420	КРОНШТЕЙН РАСШИРИТЕЛЬНОГО БАКА	65104696		●	●	●	●	●	●	●	●	●	●	●	●	●	●	●	●				



☉⇒	Description	Manf. Pt. N	Type																			From	to
				1	2	3	4	5	6	7	8	9	10	11	12	13	14	15	16	17	18		
0500	ГРУППА ПОДАЧИ																						
0501	ГРУППА ПОДАЧИ	65115933		●	●	●	●	●	●	●	●	●	●	●	●						05/18		
	ГРУППА ПОДАЧИ	65115933														●	●						
	ГРУППА ПОДАЧИ	65117952		●	●	●	●	●	●	●	●	●	●	●	●					06/18			
0502	ДАТЧИК ТЕМПЕРАТУРЫ + КЛИПСА	990686-01		●	●	●	●	●	●	●	●	●	●	●	●	●	●	●	●				
0503	ПРЕДОХРАНИТЕЛЬНЫЙ КЛАПАН (3 БАРА)	61312668		●	●	●	●	●	●	●	●	●	●	●	●	●	●	●	●				
0507	ТЕПЛООБМЕННИК ГВС (16 ПЛАСТИН)	65104333		●	●	●	●	●	●	●	●	●	●	●	●	●	●	●	●				
0514	БАЙПАС	65114917		●	●	●	●	●	●	●	●	●	●	●	●	●	●	●	●				
0515	УПЛОТНЕНИЕ	60000808		●	●	●	●	●	●	●	●	●	●	●	●	●	●	●	●				
0519	ПЕРЕХОДНИК 'System +' Open	60001365														●	●						
0521	ОСНОВАНИЕ ГИДРАВЛИЧЕСКОЙ ГРУППЫ	65115797		●	●	●	●	●	●	●	●	●	●	●	●	●	●	●	●				
0550	ПАТРУБОК ПРЕДОХРАНИТЕЛЬНОГО КЛАПАНА	60001955		●	●	●	●	●	●	●	●	●	●	●	●	●	●	●	●				
0551	ТРУБКА ПОДАЧИ ТЕПЛОНОСИТЕЛЯ (AL)	65115067	NOTA 2			●	●	●	●										●				
	ТРУБКА ПОДАЧИ ТЕПЛОНОСИТЕЛЯ (CU)	65115763	NOTA 1	●	●					●	●								●				
	ТРУБКА ПОДАЧИ ТЕПЛОНОСИТЕЛЯ (CU)	65115915	NOTA 1			●	●	●	●				●	●	●				●				
0557	ТРУБКА (D.H.W.RETURN)	65115935														●	●						
0560	КЛИПСА D:10	65114933		●	●	●	●	●	●	●	●	●	●	●	●	●	●	●	●				
0561	КЛИПСА	61307589		●	●	●	●	●	●	●	●	●	●	●	●	●	●	●	●				
0562	КЛИПСА D:18	65104259		●	●	●	●	●	●	●	●	●	●	●	●	●	●	●	●				
0563	КЛИПСА D:12	65114932		●	●	●	●	●	●	●	●	●	●	●	●	●	●	●	●				
0581	O-КОЛЬЦО 17.96X2.62	65104337		●	●	●	●	●	●	●	●	●	●	●	●	●	●	●	●				
0582	O-КОЛЬЦО 17.86X2.62	61308091		●	●	●	●	●	●	●	●	●	●	●	●	●	●	●	●				
0585	O-КОЛЬЦО 17.04X3.53	65104262		●	●	●	●	●	●	●	●	●	●	●	●	●	●	●	●				
0588	ПРОКЛАДКА ТЕПЛООБМЕННИКА	65114928		●	●	●	●	●	●	●	●	●	●	●	●	●	●	●	●				
0590	O-КОЛЬЦО 11.91X2.62	65114940		●	●	●	●	●	●	●	●	●	●	●	●	●	●	●	●				

Note 1: For appliances with main exchanger in copper. - Note 2: For appliances with main exchanger in aluminium.





LIST OF THE ABBREVIATIONS

HW	: Hot water.
CW	: Cold water.
C	: Ceramic resistance (normal heating).
Ca	: Ceramic resistance (accelerated heating)
TP	: Immersion heater.
1F	: With fittings.
2F	: Without fittings.
3F	: With fittings and another outlet connection.
AMI	: With mixing valve.
SMI	: Without mixing valve.
PUISS	: Power of th appliance.
PN	: Appliance with normal pression.
LP	: Appliance with low pression.
PV	: Appliance with variable power.
PF	: Appliance with fixed power.

IDENTIFICATION PLATE

SERIAL NUMBER

10 Characters :	04 05 125 011	Sequential number
		Manufacturing day
		Year of manufacture
11 Characters :	1 95 065004 - 31	Technical number of the appliance
Month of manufacture :		Sequential number
from 1 to 9 → Jan. to Sep.,		Year of manufacture
O → Oct., N → Nov.,		
D → Dec.		
19 Characters :	08 05 0013199 900640031	Product reference
Year of manufacture		Sequential number
Month of manufacture		
20 Characters :	3675007 XX 2 07 070 00315	Sequential number
Product reference		Manufacturing day
Millenium of manufacture		Year of manufacture
21 Characters :	3675007 XX 07 070 0000315	Sequential number
Product reference		Manufacturing day
Year of manufacture		