

NS/PF



Further product
documentation



net.grundfos.com/qr/i/99057323

be
think
innovate

GRUNDFOS X

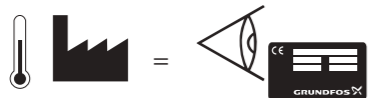


Max. bar =



NS

= Min./Max.
0 °C / +35 °C



Min./Max. 0 °C / +40 °C



PF 1-30 Max. 6 bar
PF 2-50 Max. 10 bar

PF

= Min./Max.
0 °C / +35 °C

= Min./Max.
-10 °C / +50 °C

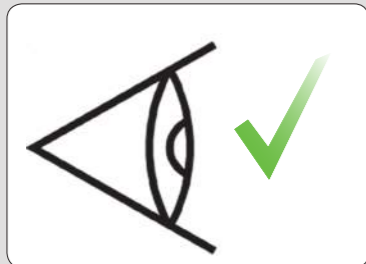


Min./Max. 0 °C / +40 °C

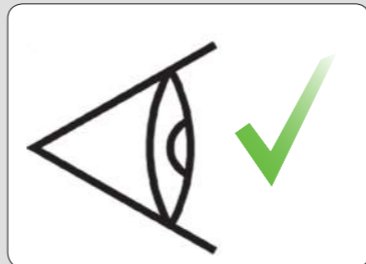


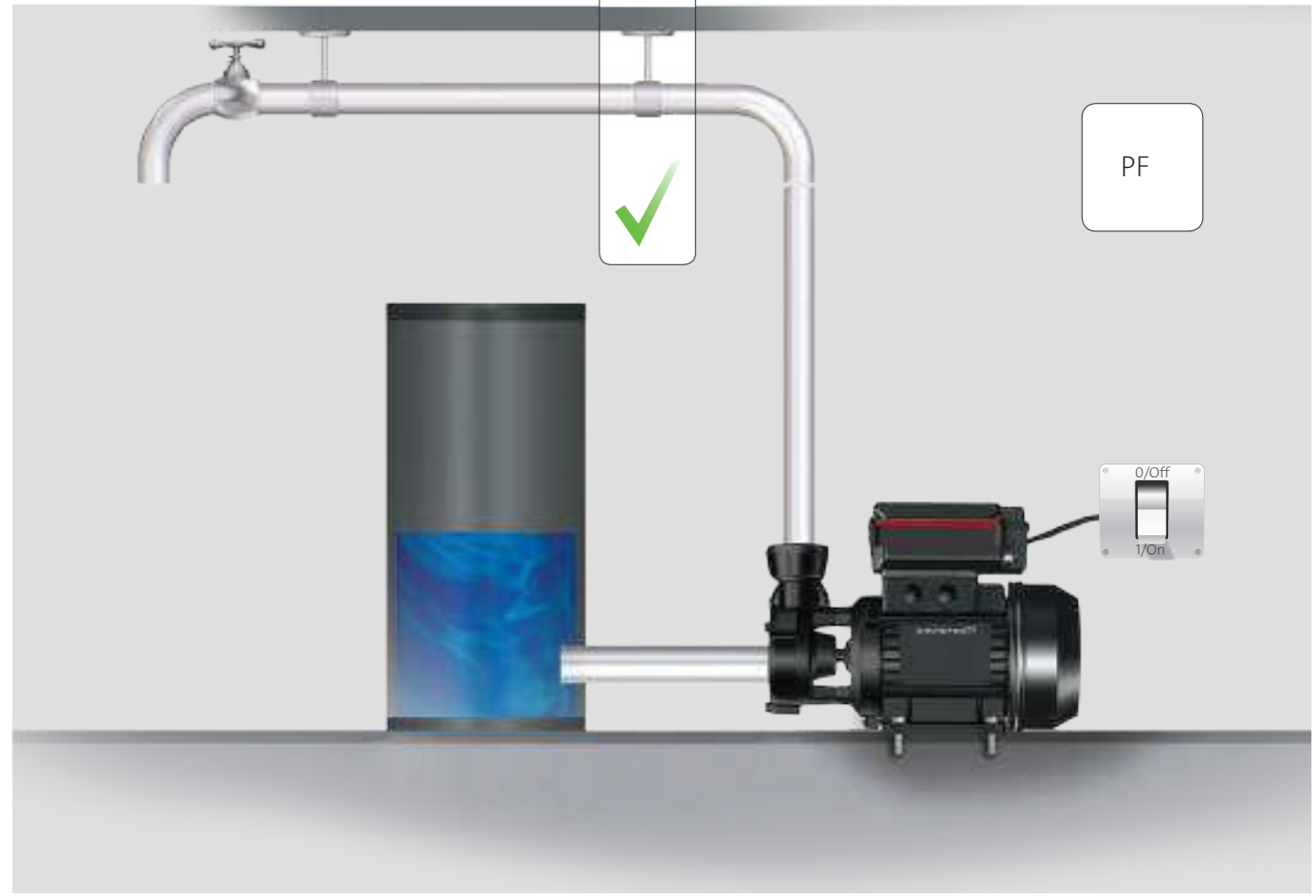
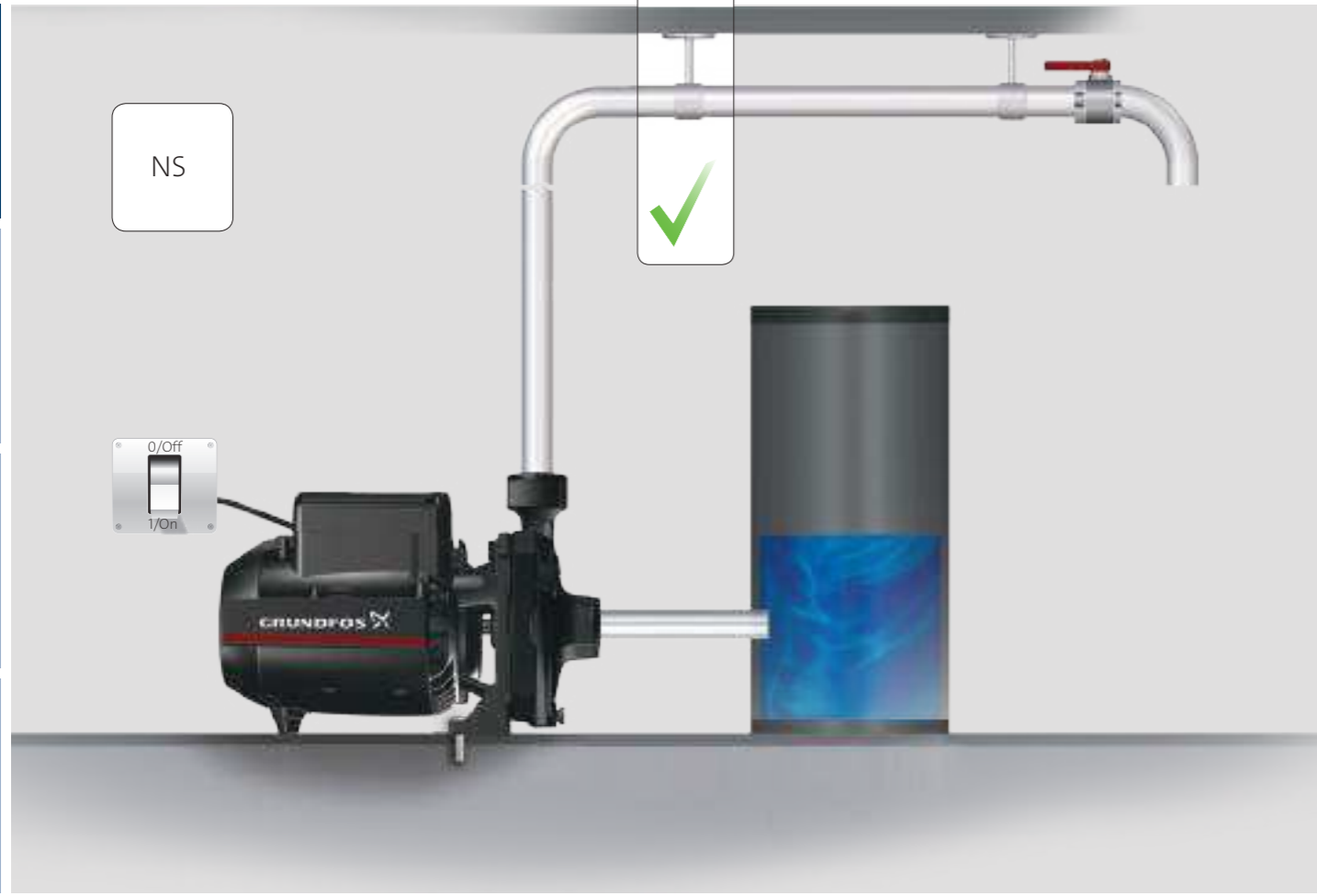


1A



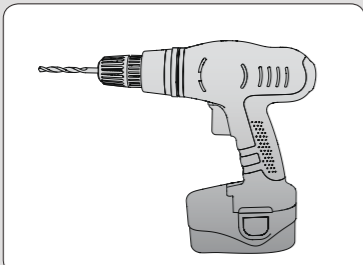
1B



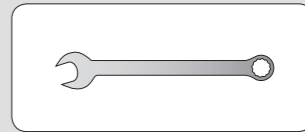




2A

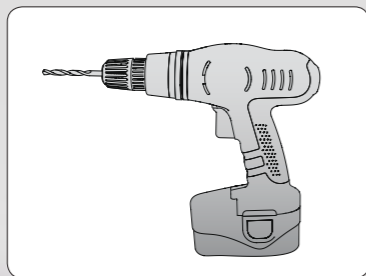


3A

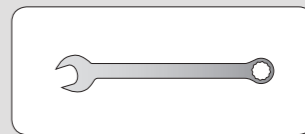


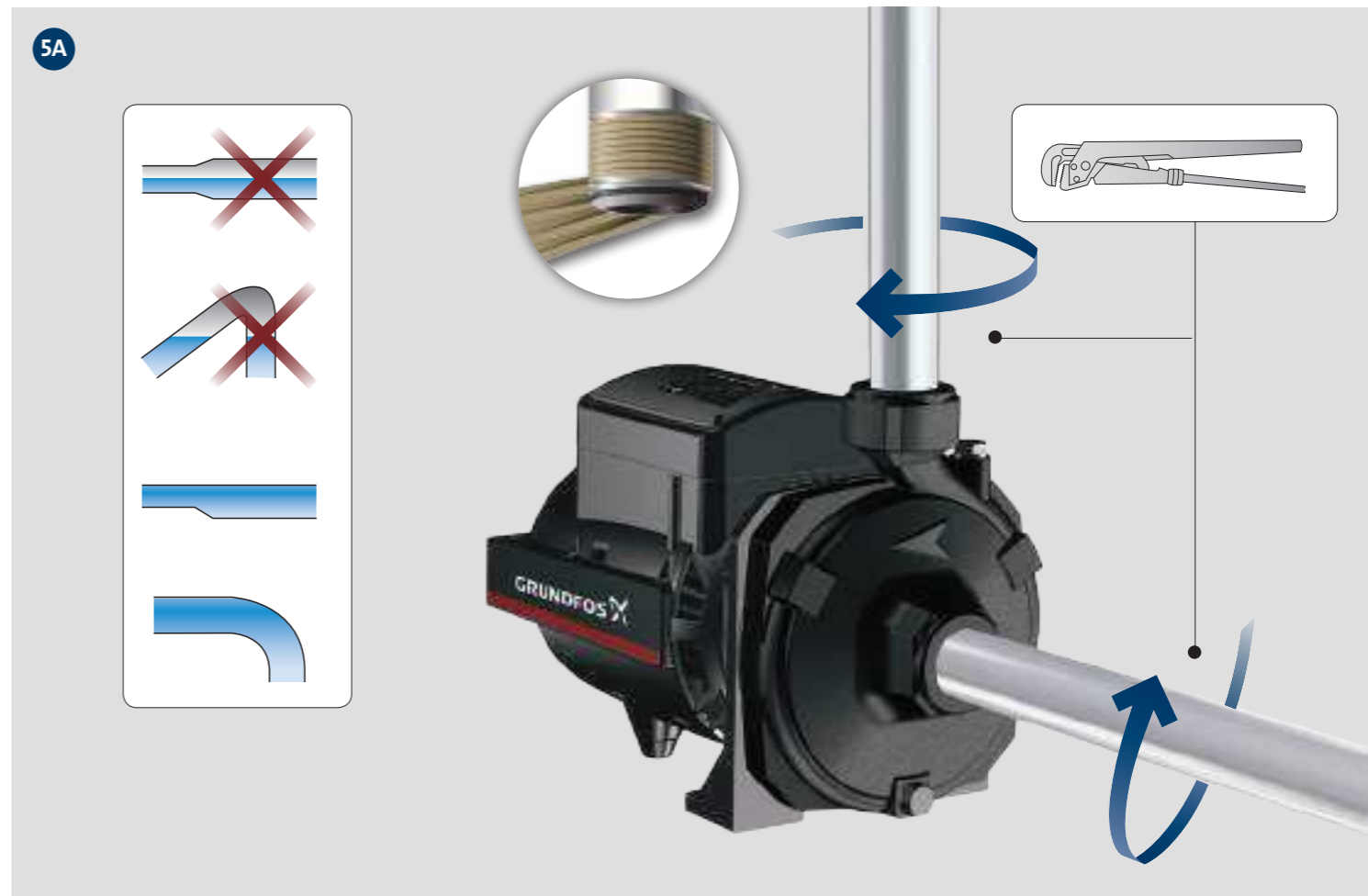
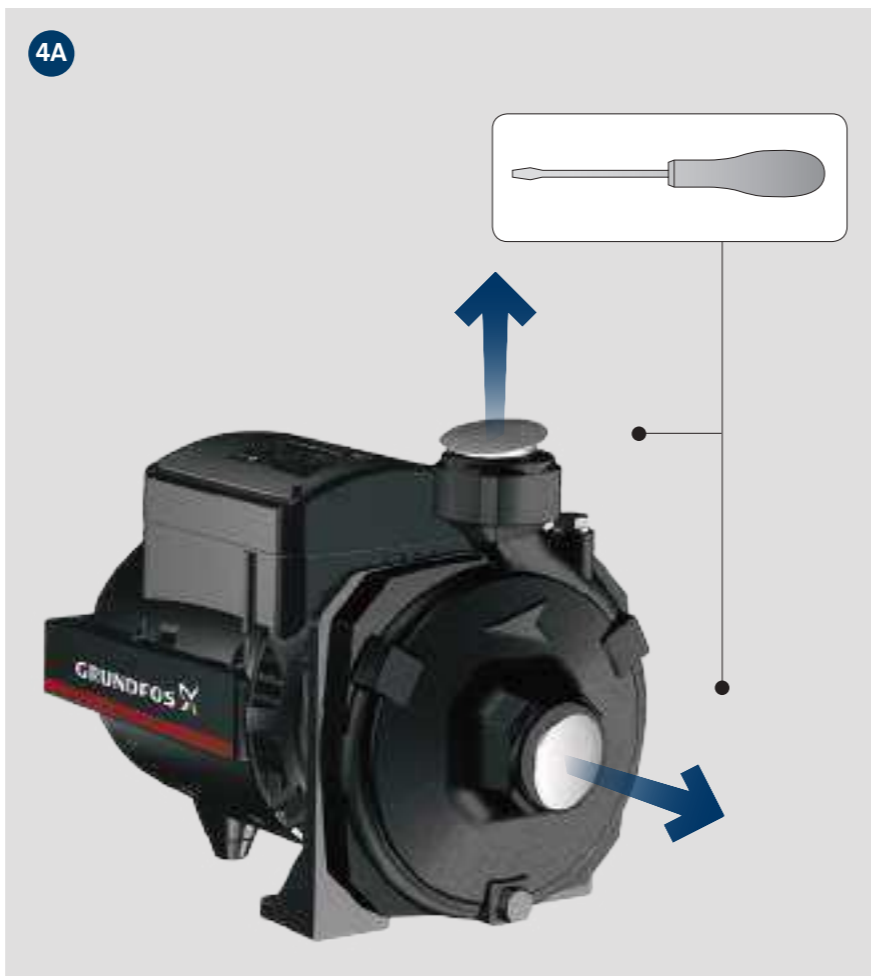
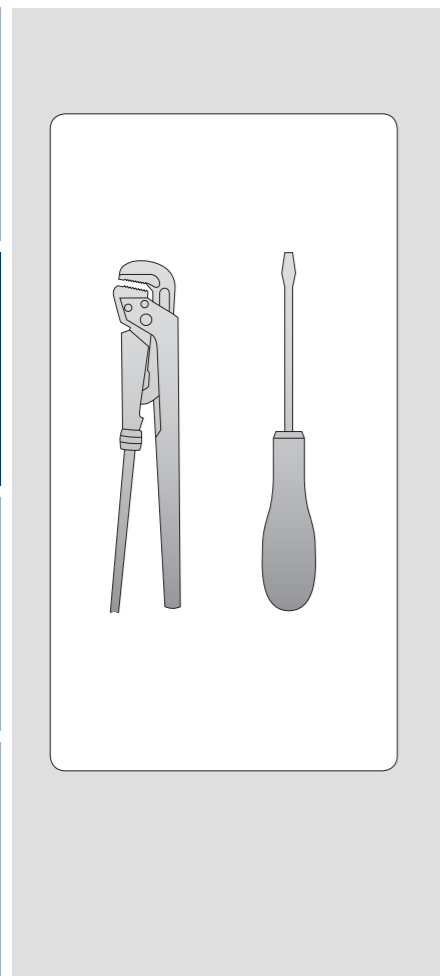
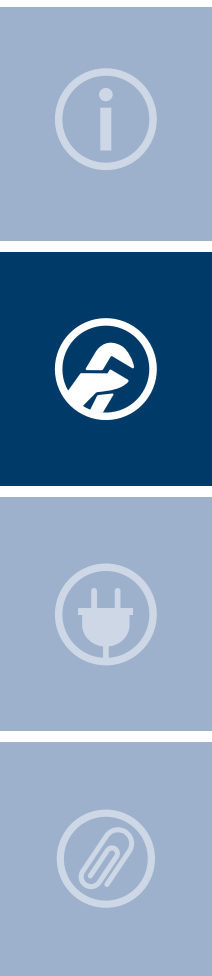


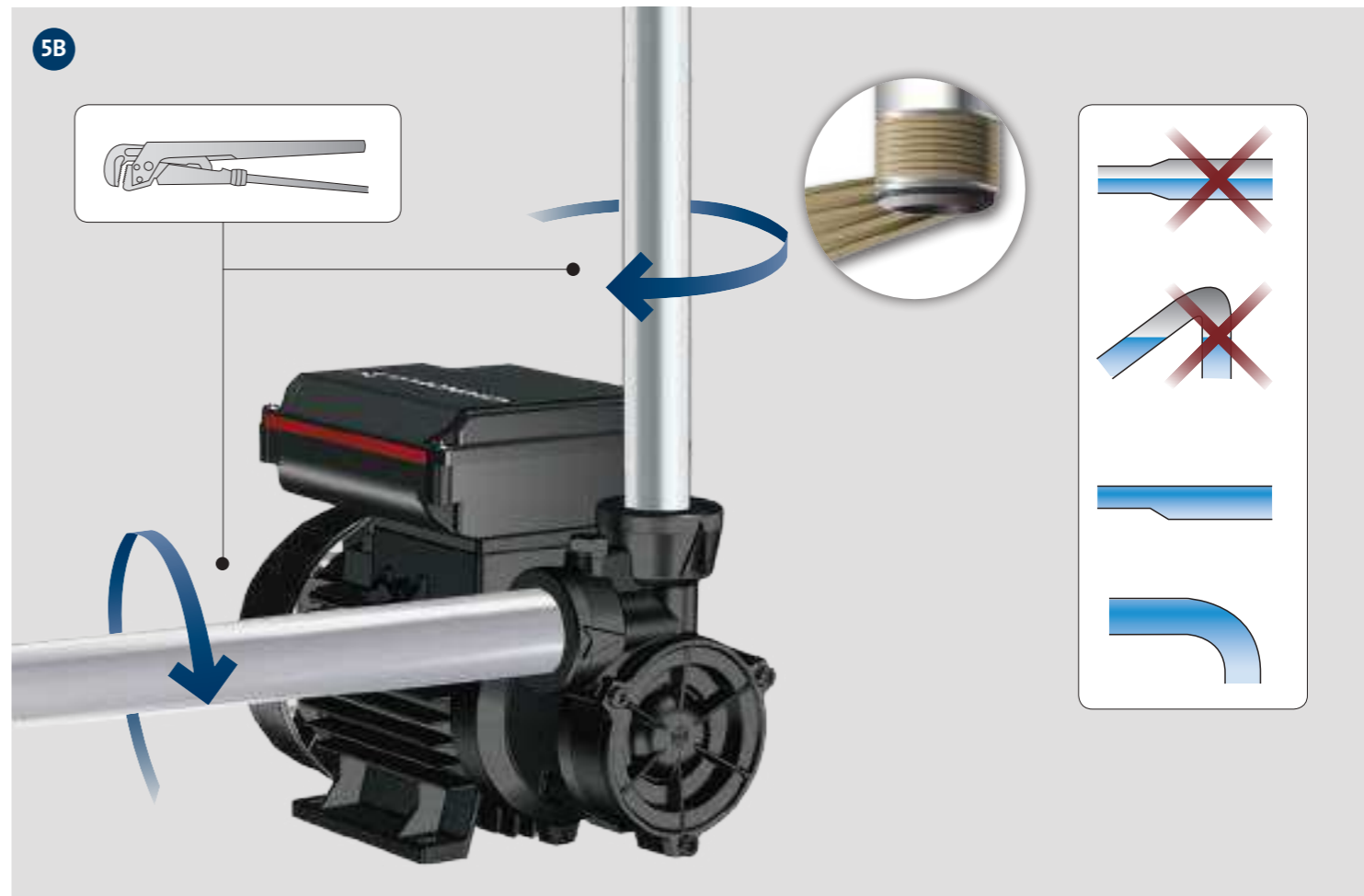
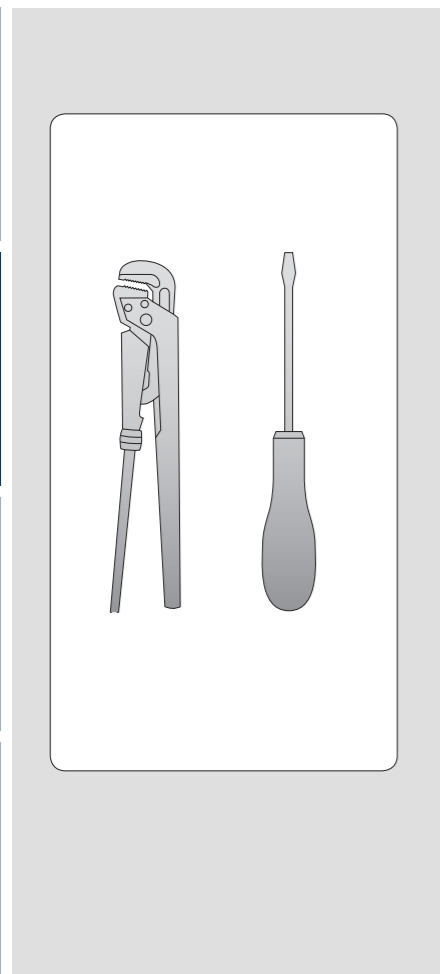
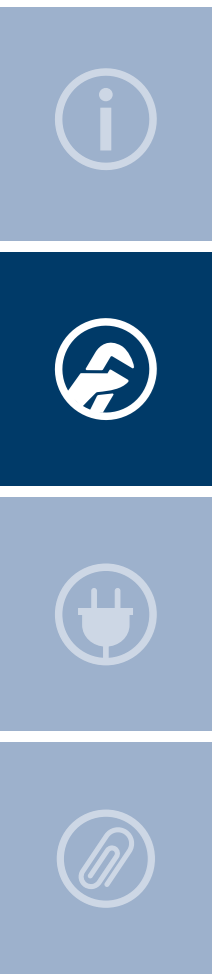
2B

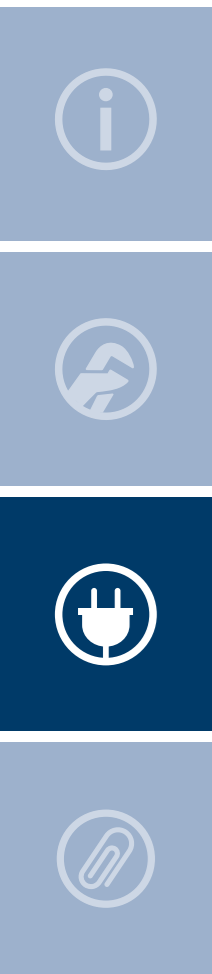


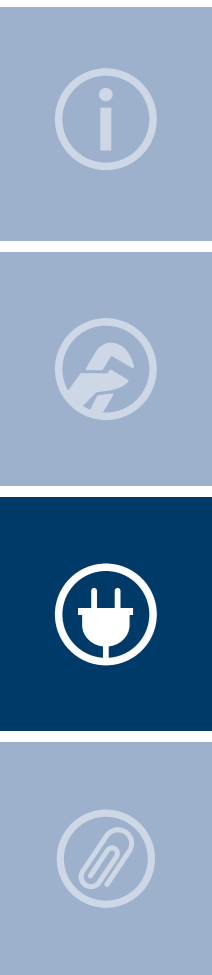
3B











6B



7B

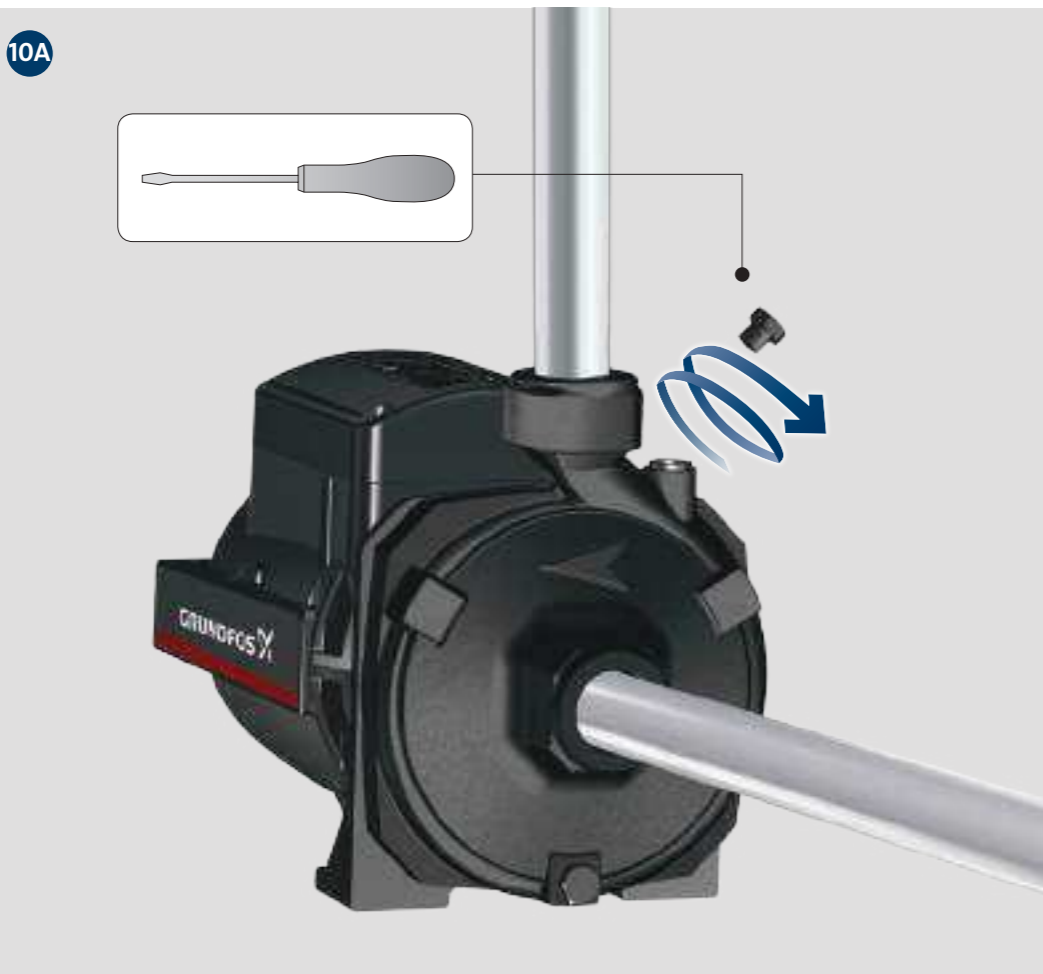
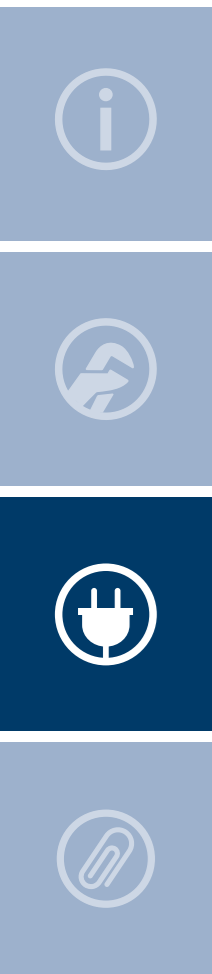


8B

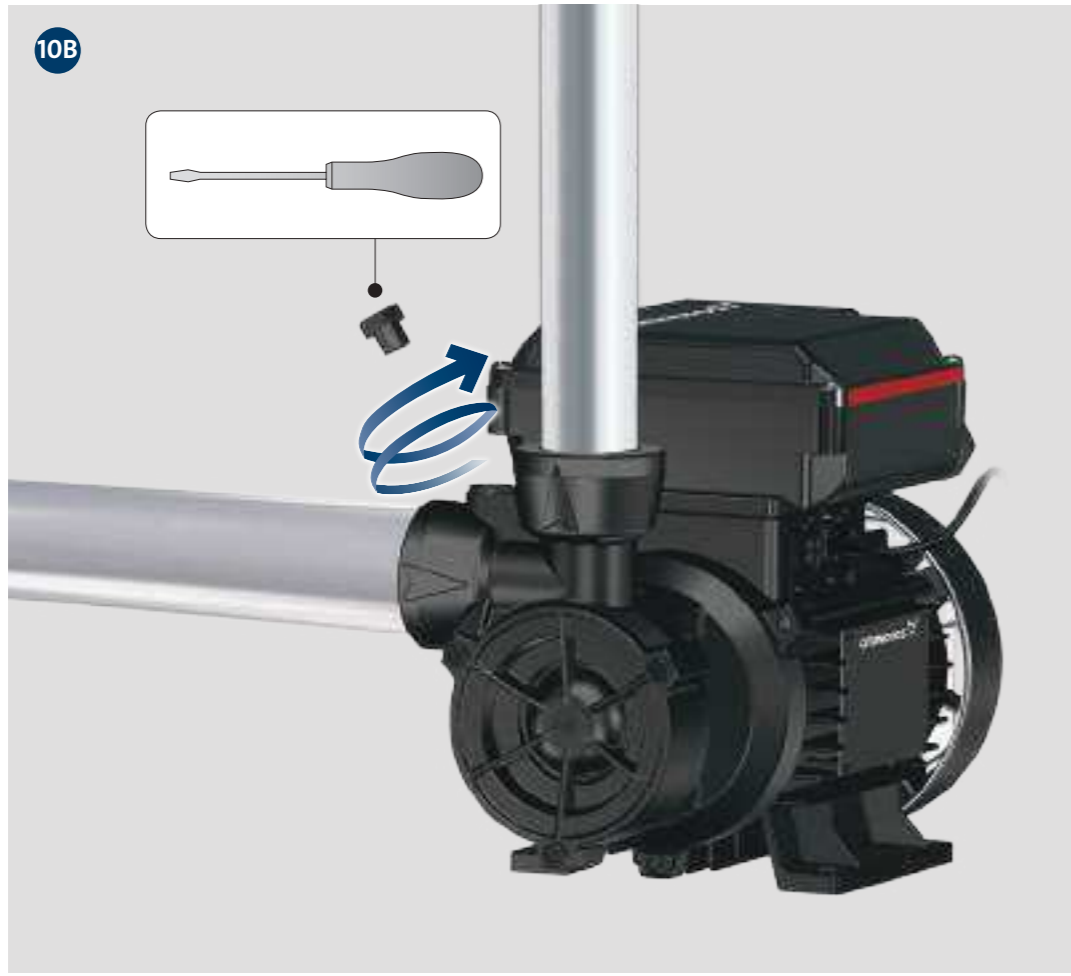


9B





Information icons:





i



13A





i

Max. $\varnothing < 1$ mm
/ 0.04 inch



13B

OFF

ON



be think innovate

98911576 0216

ECM: 1178728

GRUNDFOS Holding A/S

Poul Due Jensens Vej 7

DK-8850 Bjerringbro

Tel: +45 87 50 14 00

www.grundfos.com

GRUNDFOS


The name Grundfos, the Grundfos logo, and be think innovate are registered trademarks owned by Grundfos Holding A/S or Grundfos A/S, Denmark. All rights reserved worldwide.