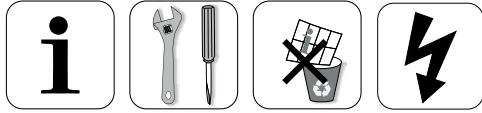


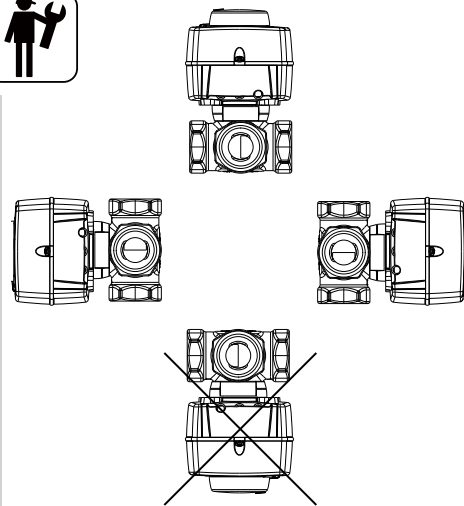
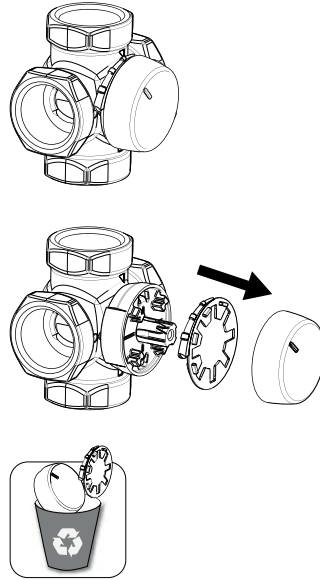
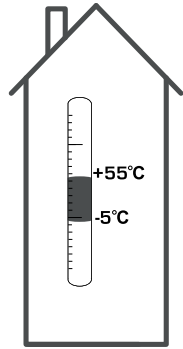
ESBE SERIES ARA600 2-Point



Series ARA6x5
Series ARA6x6
Series ARA6x7
Series ARA6x8

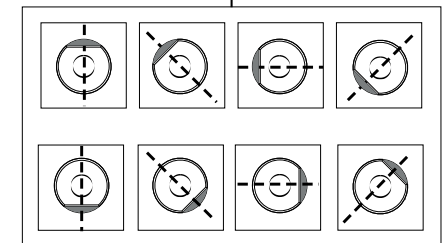
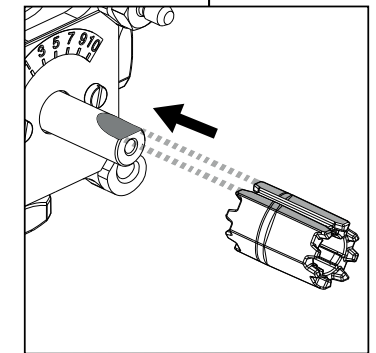
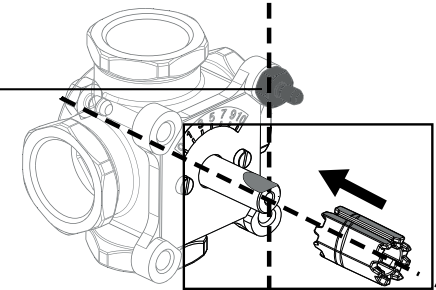
CE

LVD 2014/35/EU
EMC 2014/30/EU
RoHS 2011/65/EU



Series MG, G, F, H, HG, BIV, T, TM

| | | |
|--|------------|--|
| | DN15-25 | |
| | DN20-40 | |
| | DN50 | |
| | DN20-25 | |
| | DN32-50 | |
| | H: DN25 | |
| | H: DN32-50 | |
| | HG: DN25 | |
| | DN20-22 | |
| | DN25 | |
| | T: DN20-32 | |
| | TM: DN20 | |



+



VRG, VRB, VRH

3MG, 4MG



3G, 4G

3F, 4F ≤ DN50

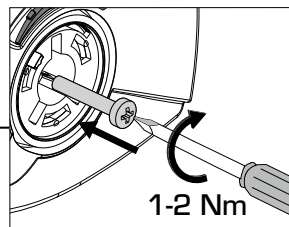
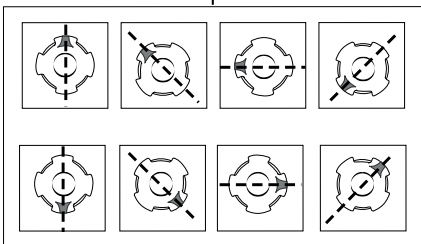
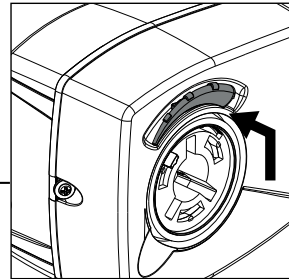
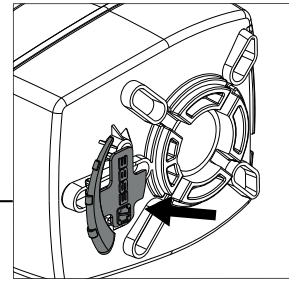
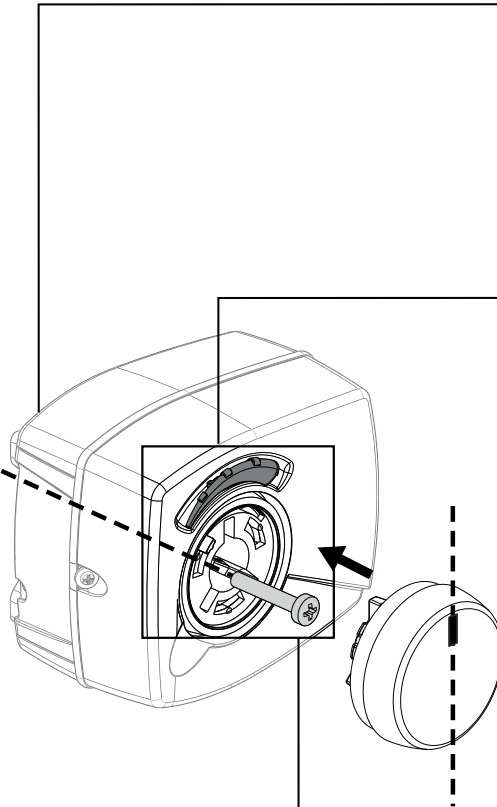
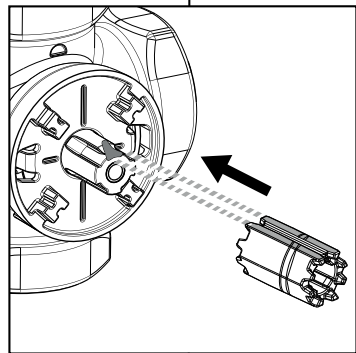
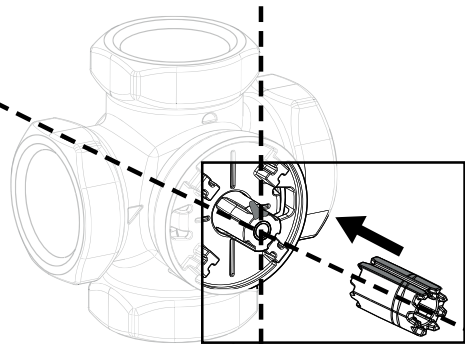
3HG, 4HG, 3H, 4H



BIV

T, TM

Series VRGxxx, VRBxxx, VRHxxx



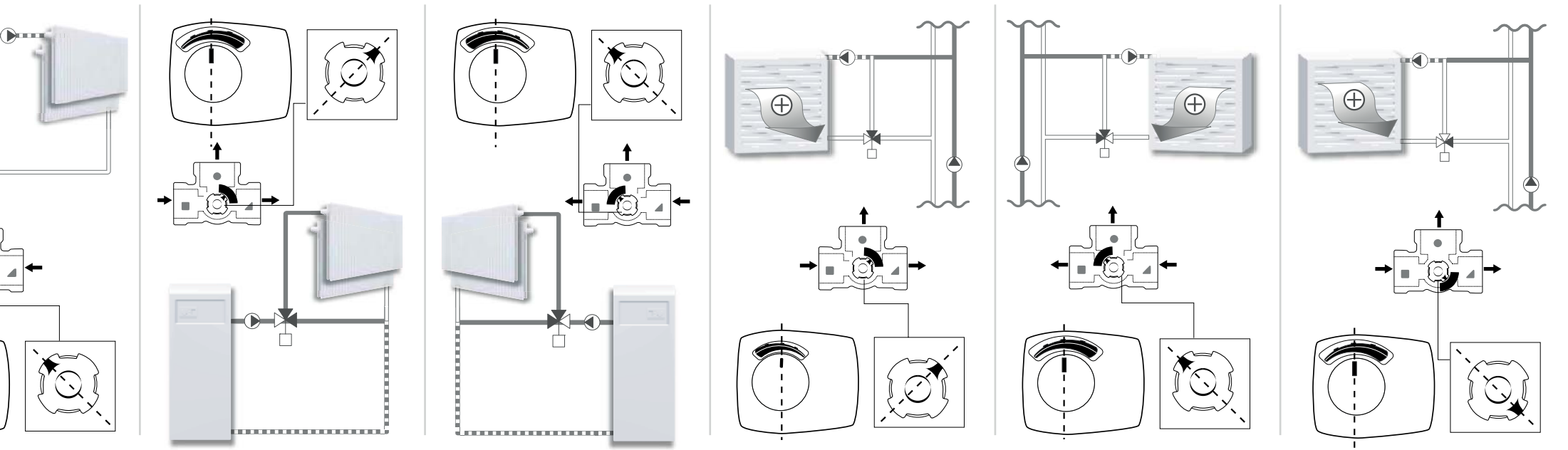
Mtrl.nnr: 9814 02 74 • Ritir.nnr: 8080 utg. F • Rev.1608



SERIES ARA600 2-Point

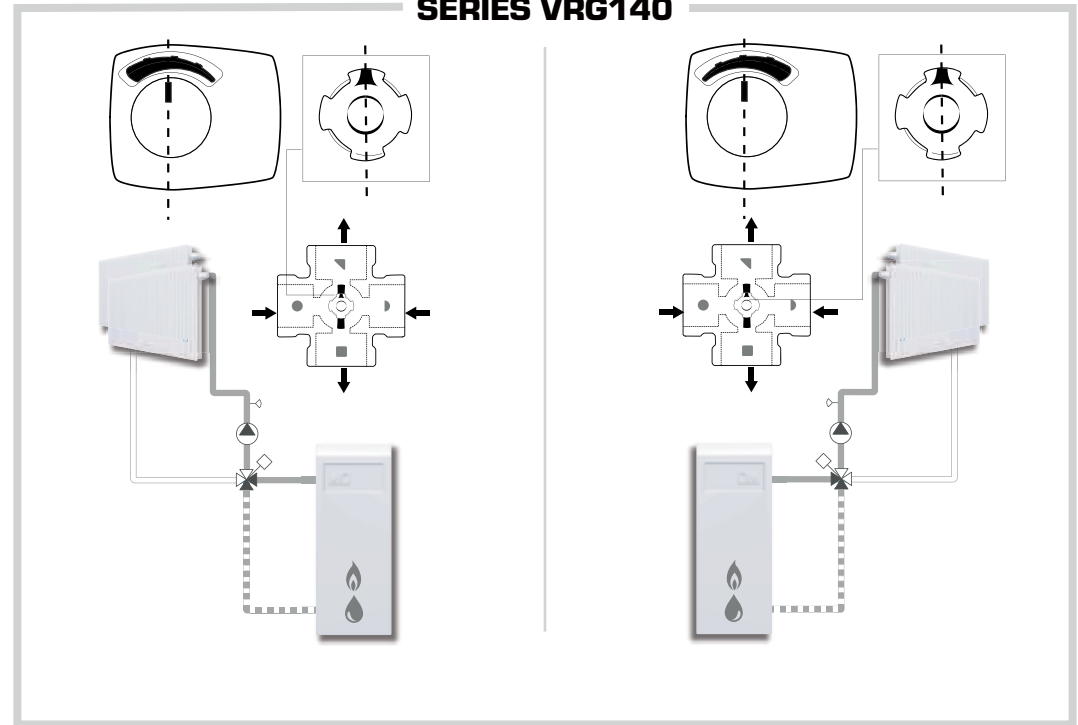


NO.1 IN HYDRONIC SYSTEM CONTROL



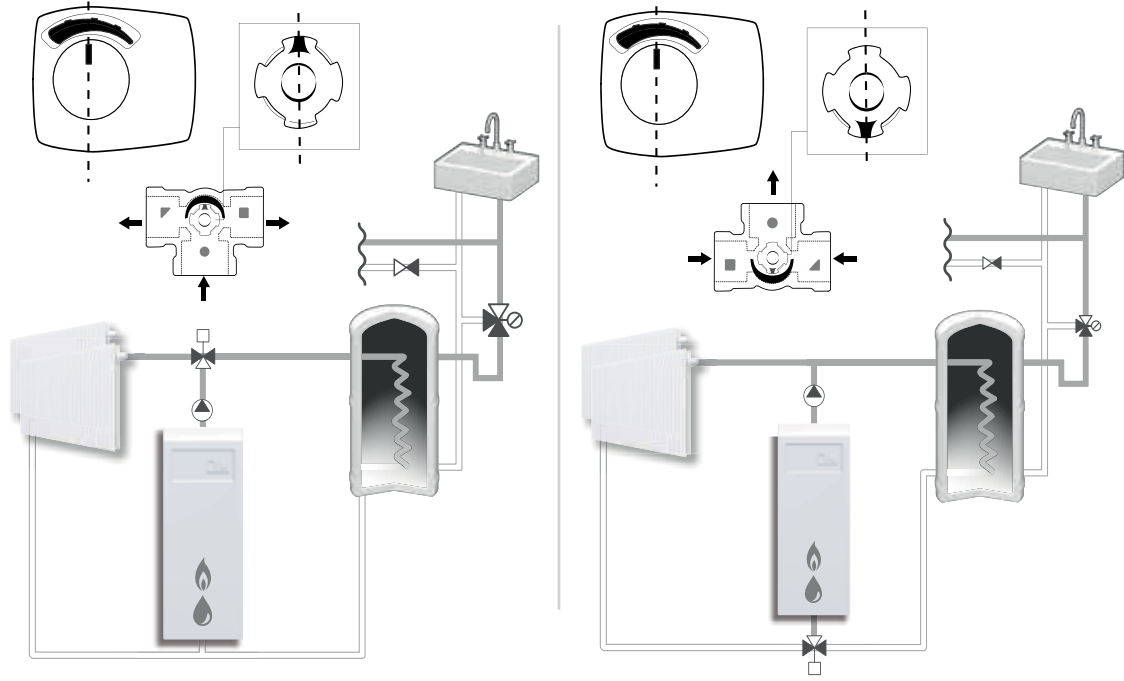
SERIES VRG130

SERIES VRG140

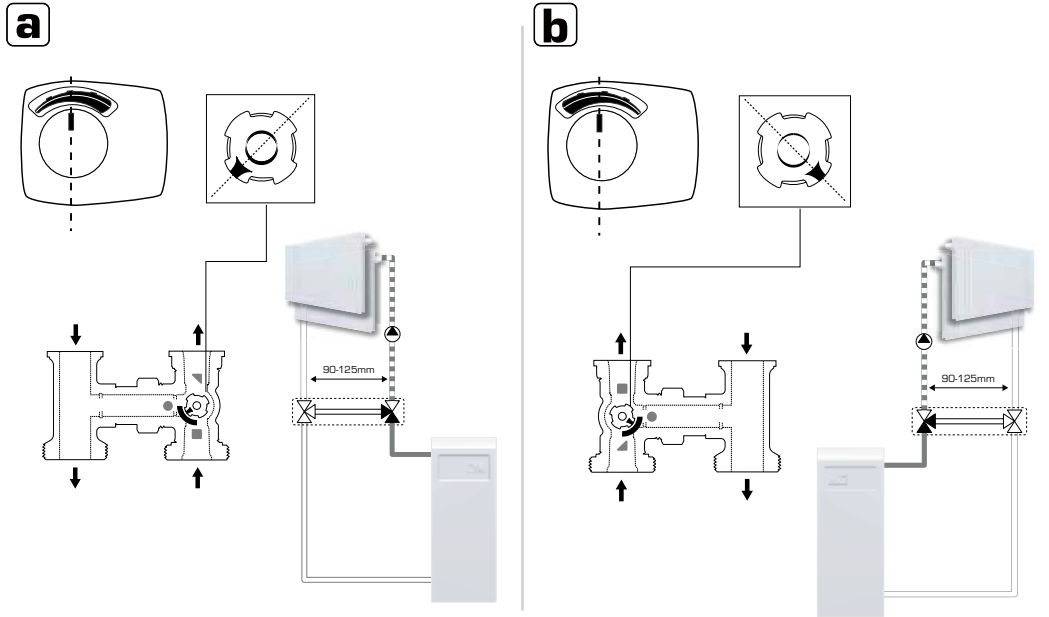


Piping Schematics are General Representations

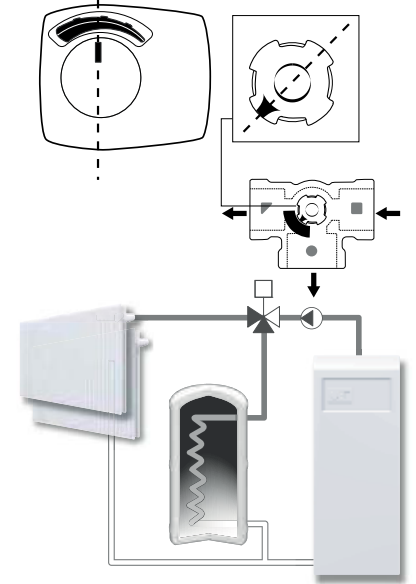
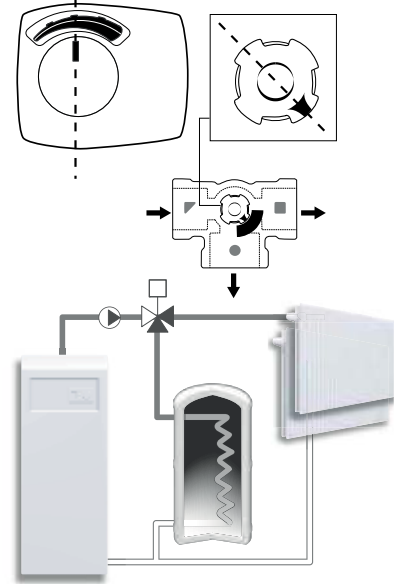
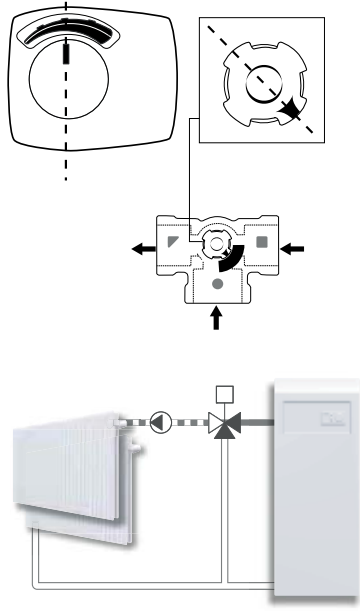
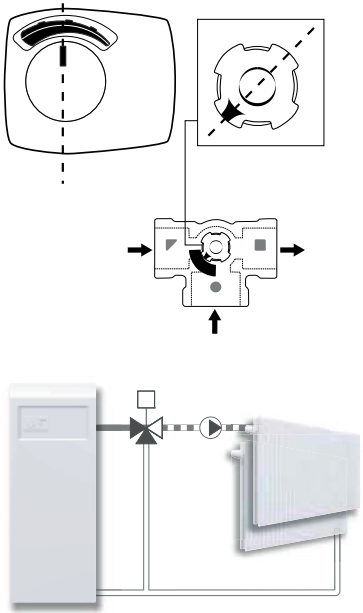
SERIES VRG230



SERIES VRH130

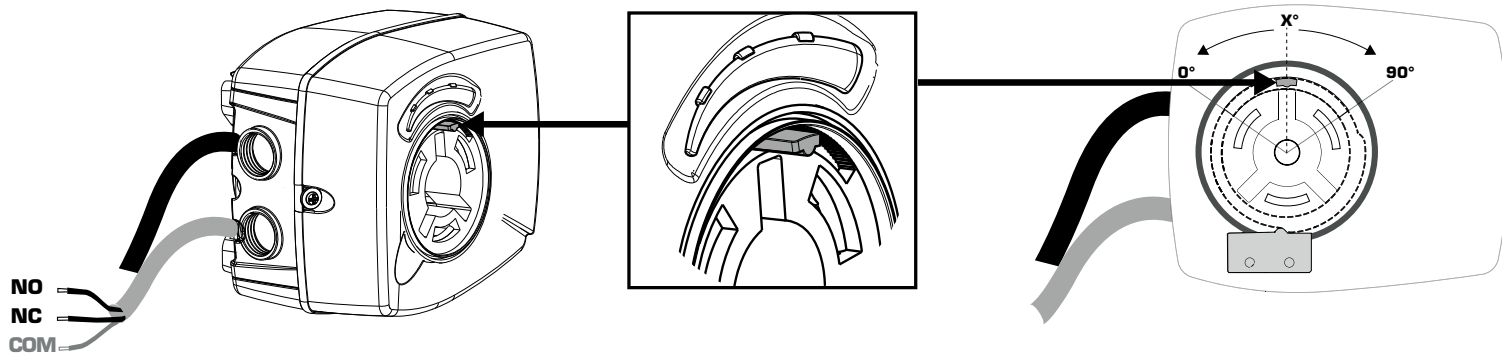


SERIES VRG330





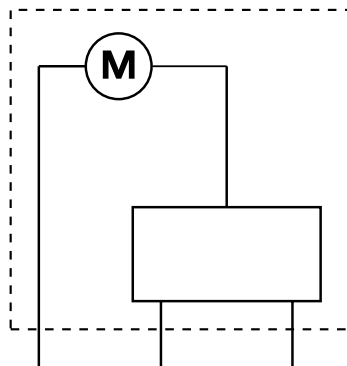
SERIES ARA636, ARA638, ARA646, ARA648, ARA656, ARA658



| | 0° - (90° - x°) | (90° - x°) - 90° |
|----|-----------------|------------------|
| NO | | |
| NC | | |
| | X° = 45° | |



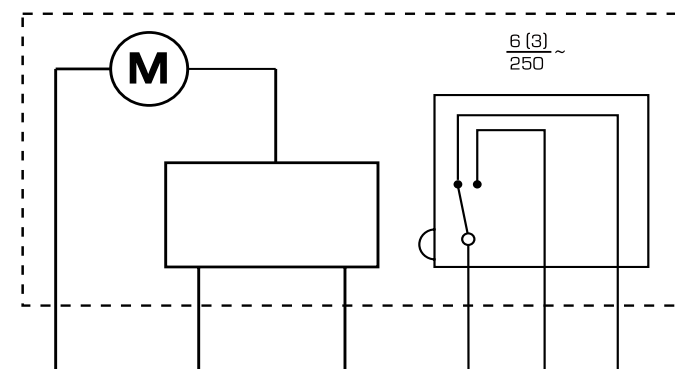
Series ARA635, ARA637, ARA645, ARA647, ARA655, ARA657



| | | | |
|---------|---------|-------------|------------|
| 2points | N bu | Y bk | L bn |
| 3points | N bu | ↺ CCW bk | ↻ CW bn |



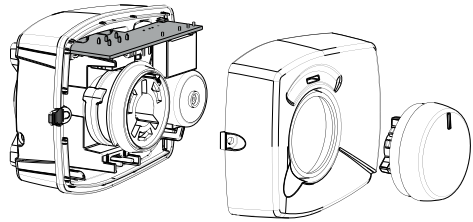
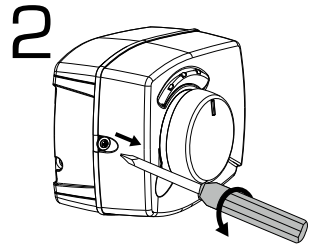
Series ARA636, ARA638, ARA646, ARA648, ARA656, ARA658



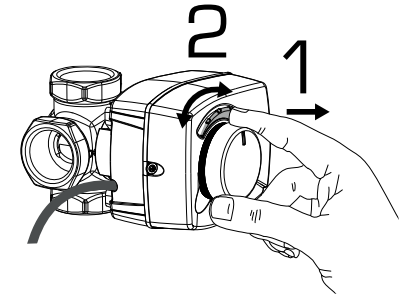
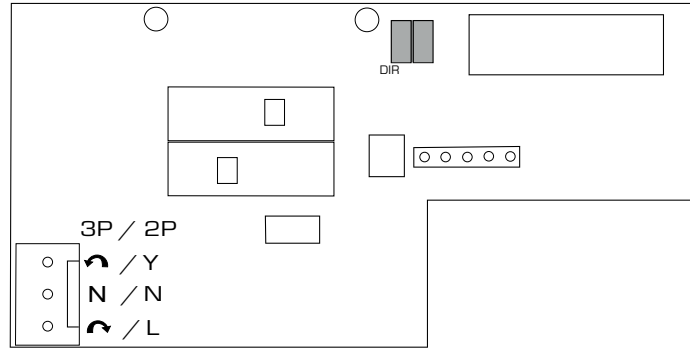
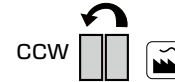
| | | | | | | |
|---------|---------|-------------|------------|---------|----------|----------|
| 2points | N bu | Y bk | L bn | C wh | NO rd | NC og |
| 3points | N bu | ↺ CCW bk | ↻ CW bn | C wh | NO rd | NC og |



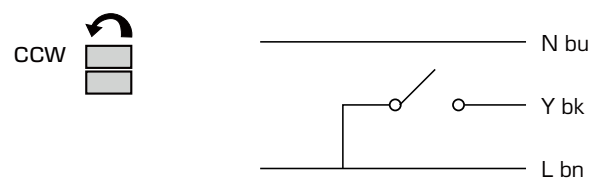
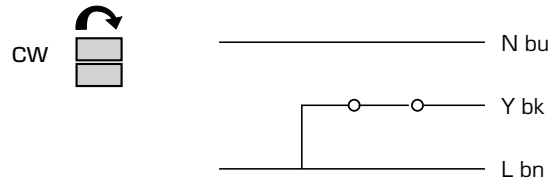
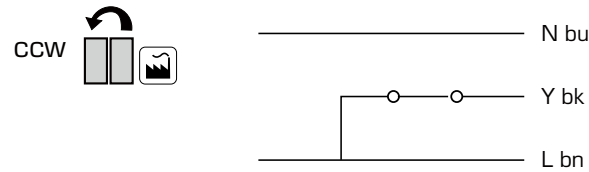
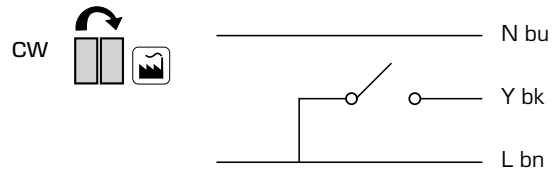
1



DIRECTION



DIRECTION 2-POINT



DIRECTION 3-POINT

