



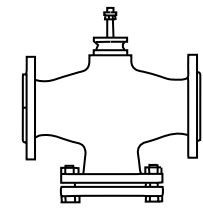
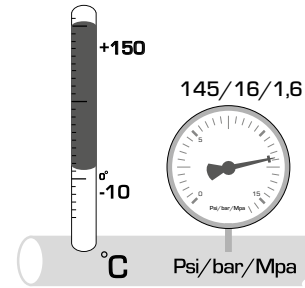
SERIES VLB325/VLB335



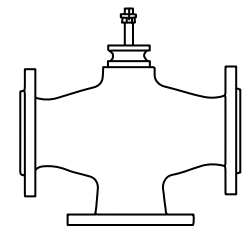
Series VLB325
Series VLB335



PED 2014/68/EU, article 4.3



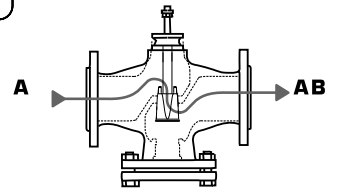
Series VLB325



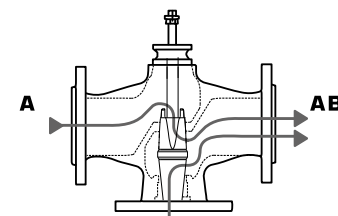
Series VLB335

Mtrl.nr: 9814 09 21 • Ritn.nr: 6286 utg. B • Rev. 1608

1

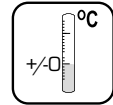


VLB325

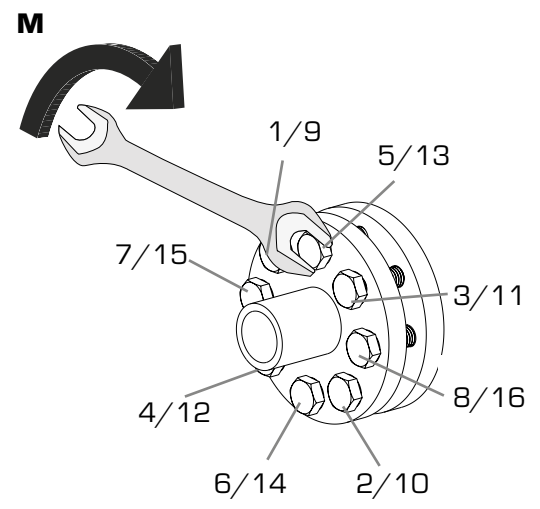


VLB335

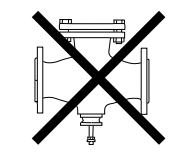
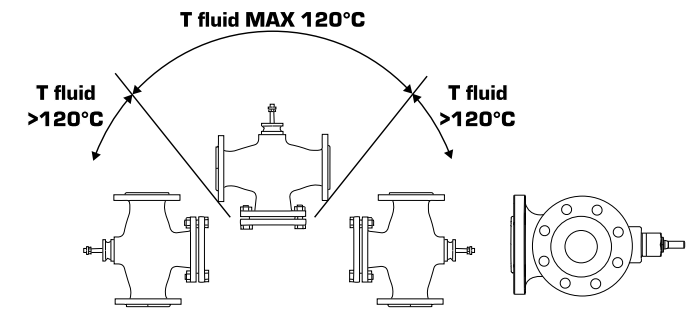
2



1/2/3/4/5/6/7/8 = 50%
9/10/11/12/13/14/15/16 = 100%

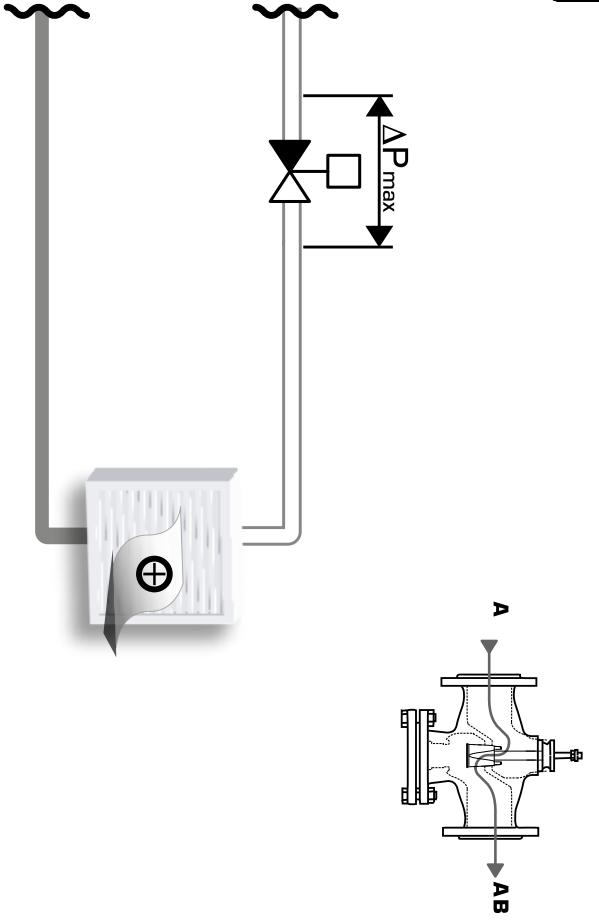


3

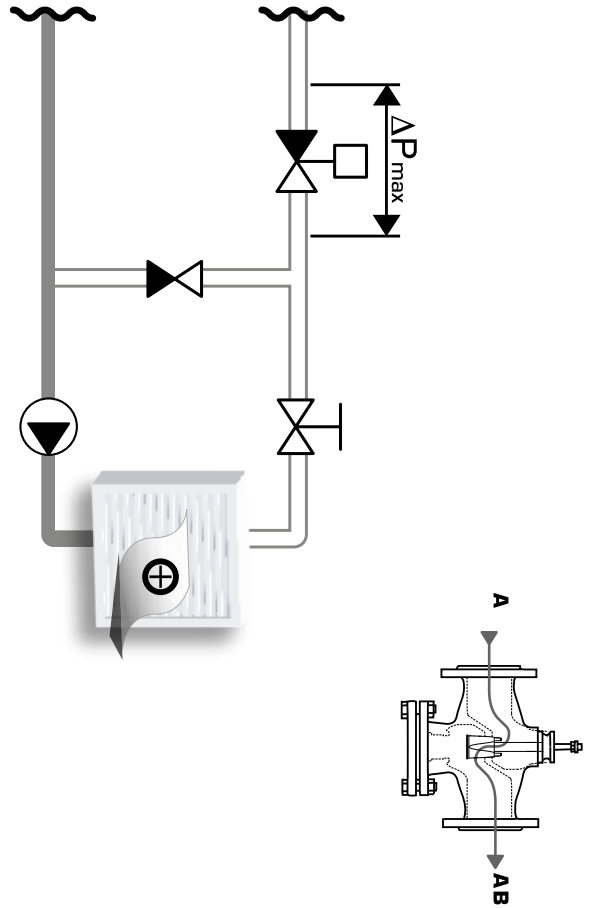


4

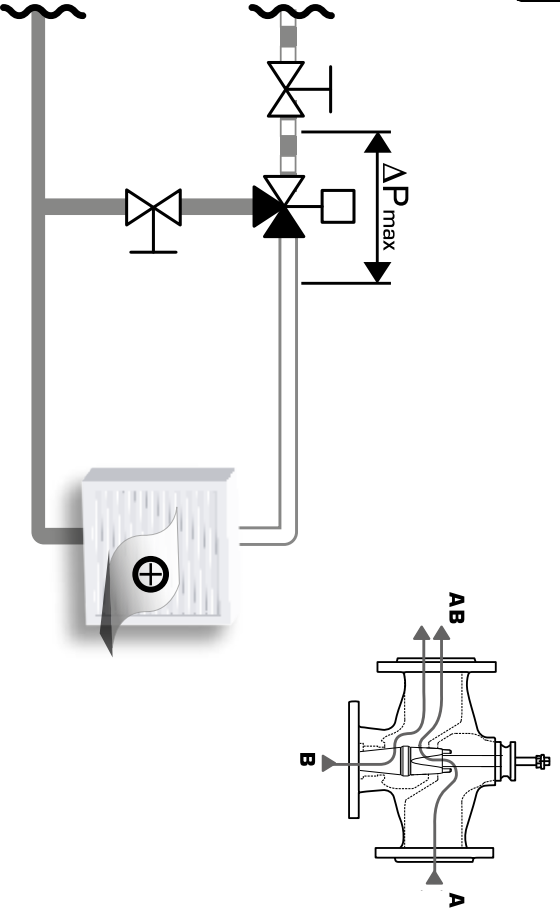
VLB325

**5**

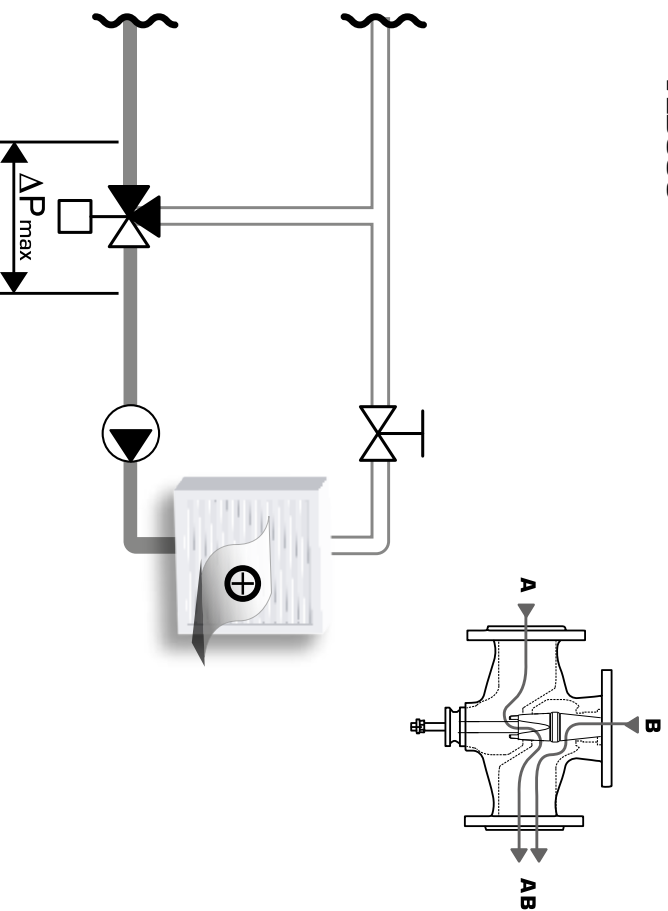
VLB325

**6**

VLB335

**7**

VLB335

*Piping Schematics are General Representations*