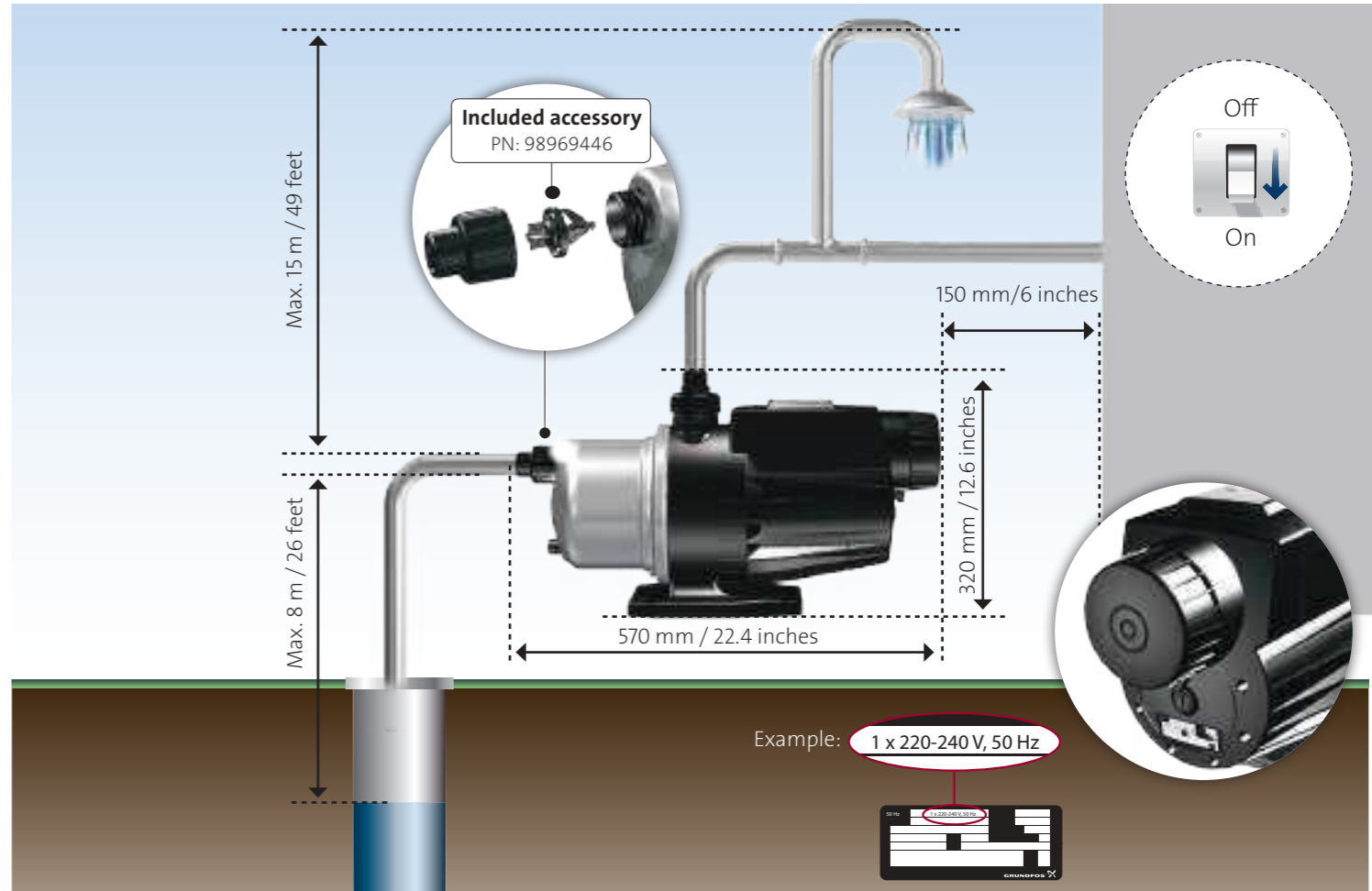
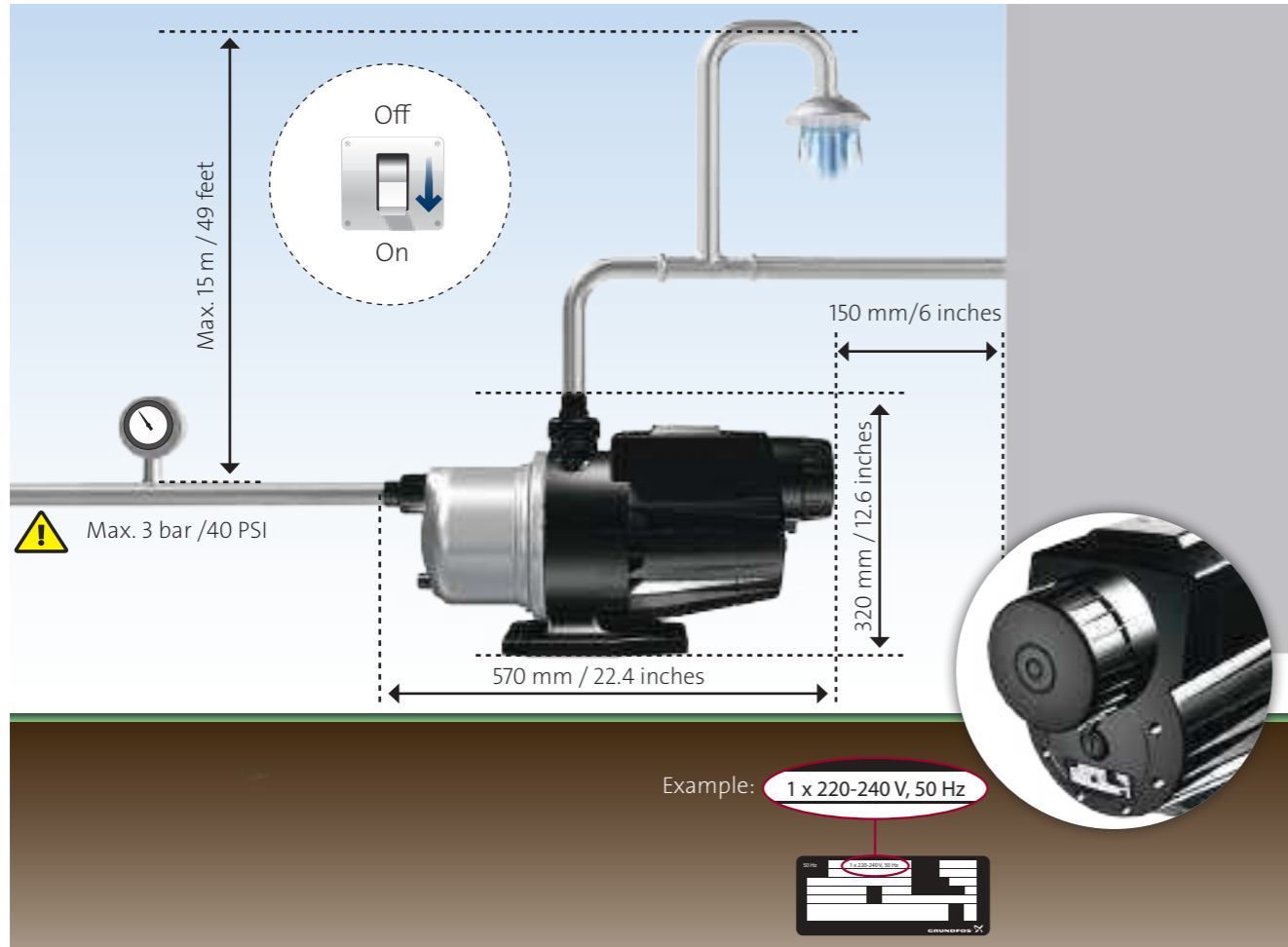


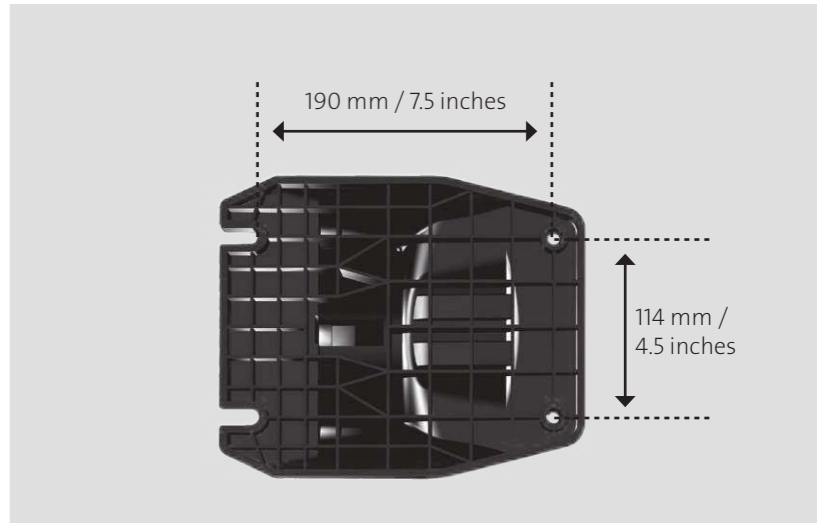
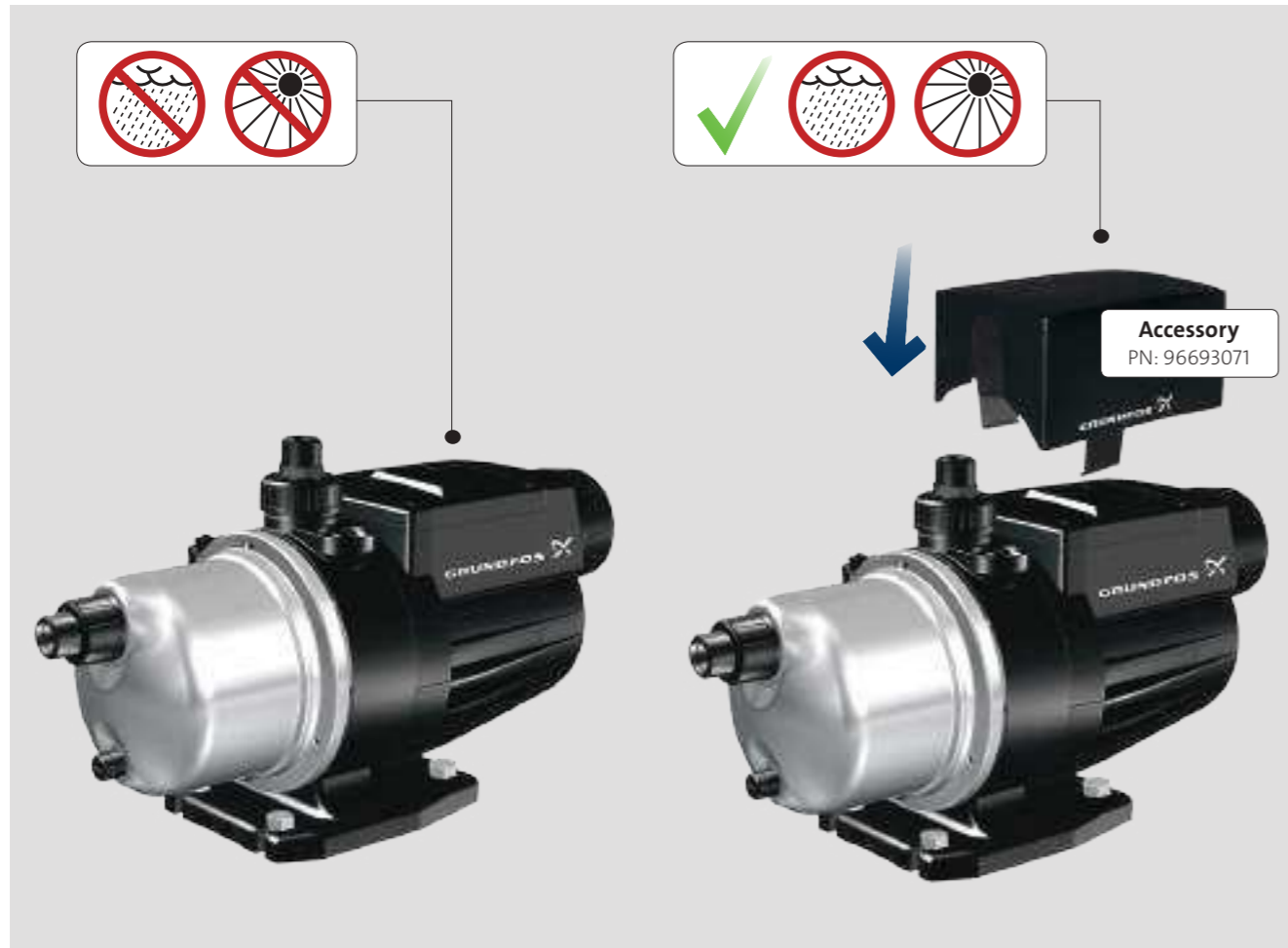
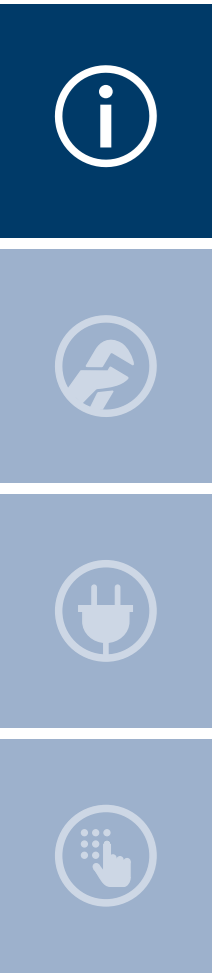


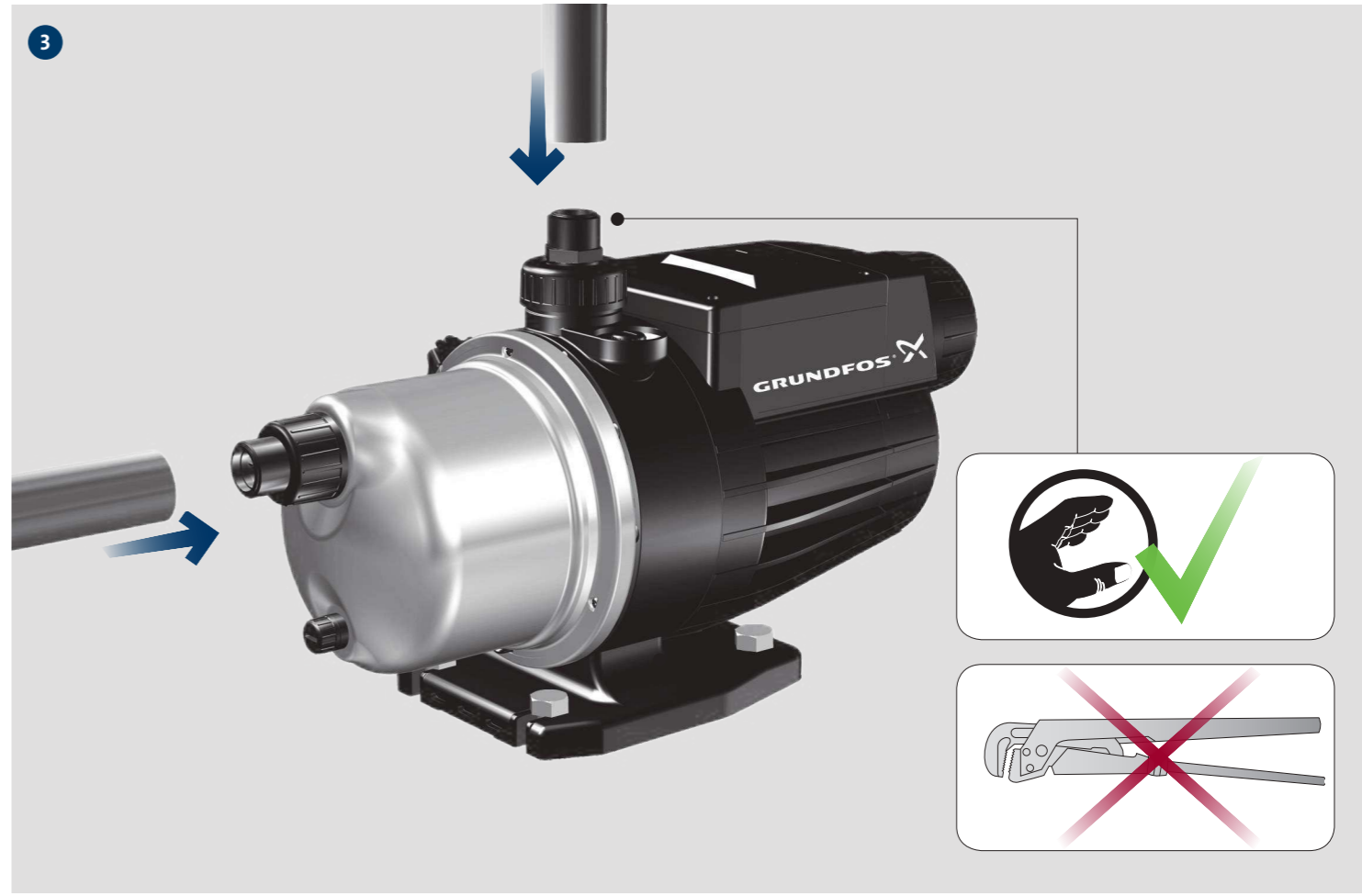
GRUNDFOS MQ

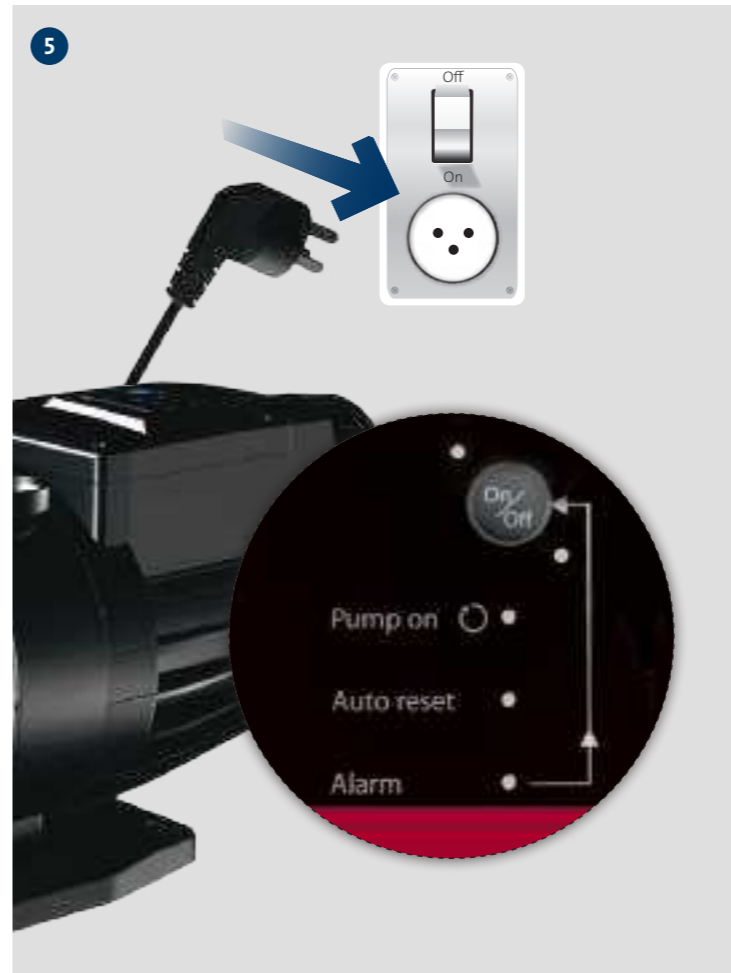
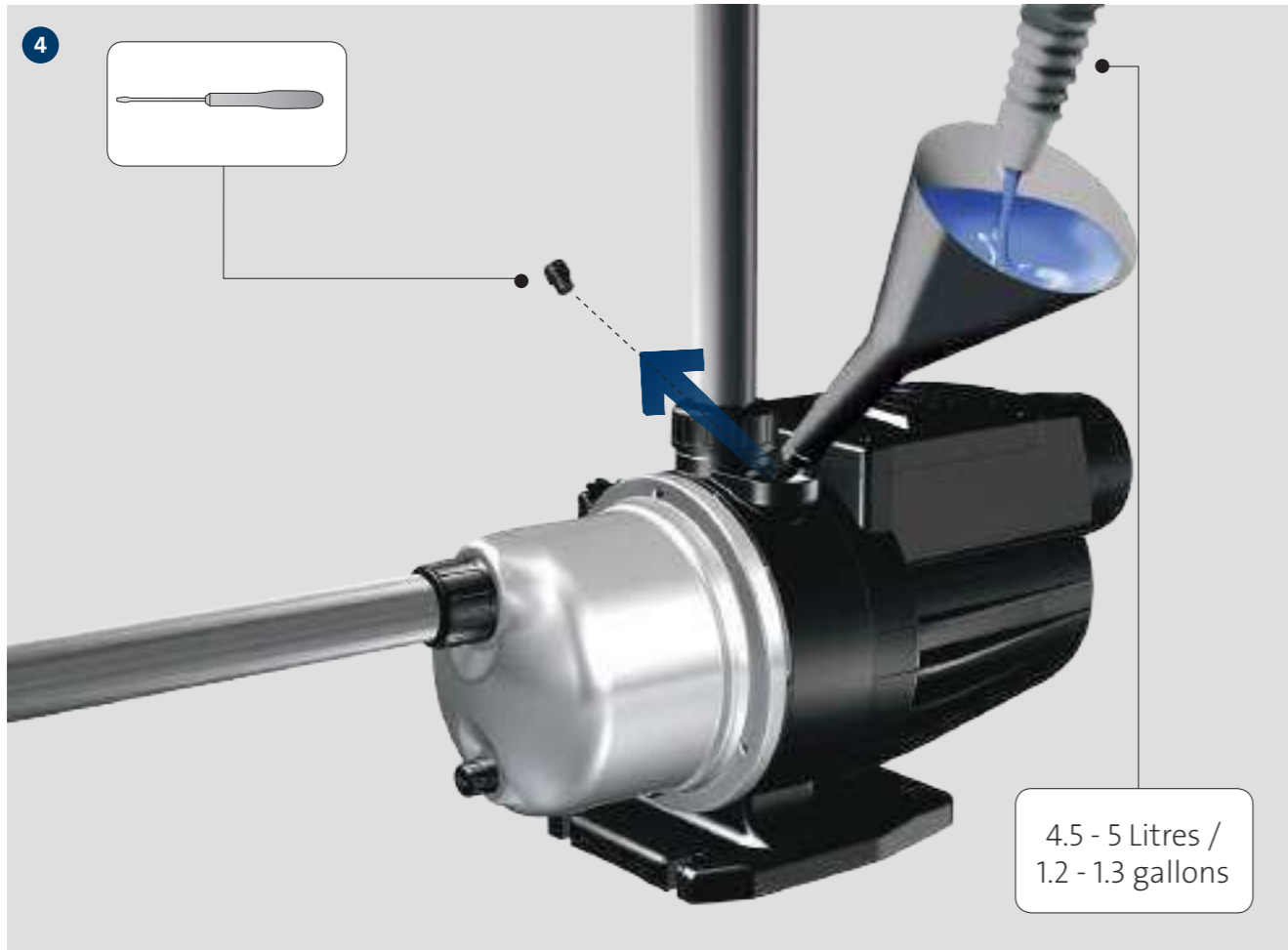


<http://qr.grundfos.com/i/MQinstallation>











GRUNDFOS Holding A/S

Poul Duejensens Vej 7
DK-8850 Bjerringbro
Tlf.: +45-87 5014 00

98338977	0216
-----------------	------

ECM: 1178728

be think innovate

GRUNDFOS


The name Grundfos, the Grundfos logo, and the payoff be think innovate are registered trademarks owned by Grundfos Holding A/S or Grundfos A/S, Denmark. All rights reserved worldwide.