



SERIES LTC200

ESBE
NO.1 IN HYDRONIC SYSTEM CONTROL

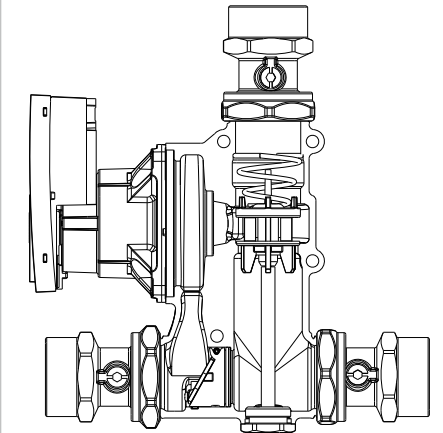
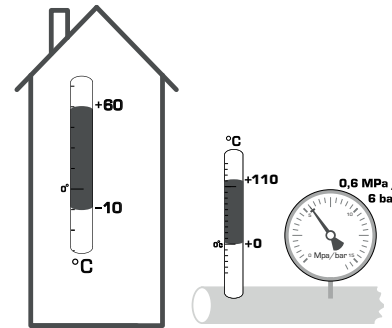
Mtrl.nr: 9814 04 60 • Ritn.nr: 4744 utg. D • Rev. 1609



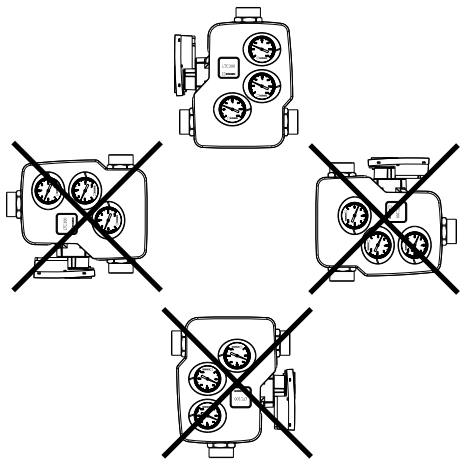
Series LTC261
Series LTC271

CE

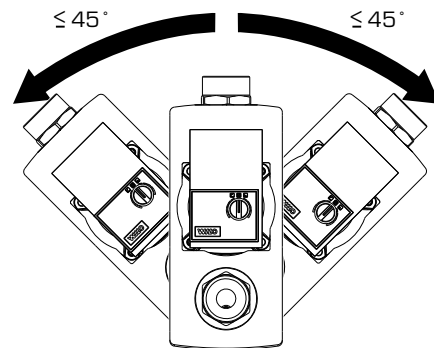
LVD 2014/35/EU
ErP 2009/125/EU
EMC 2014/30/EU
ErP 2015
RoHS 2011/65/EC
PED 2014/68/EU, article 4.3



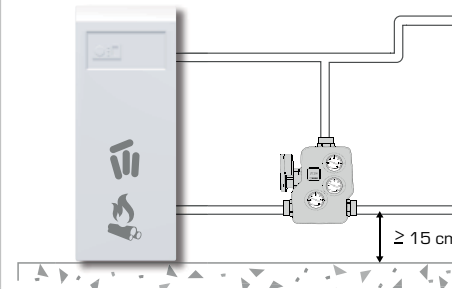
1



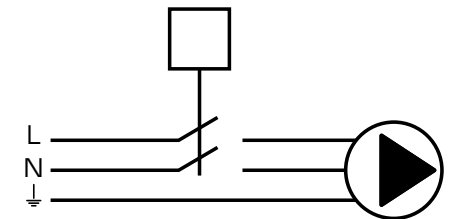
2




3

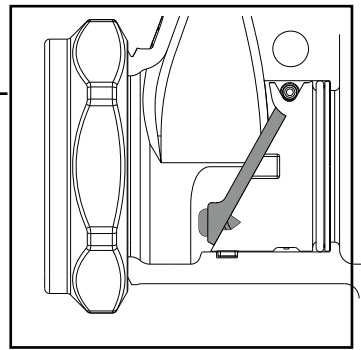
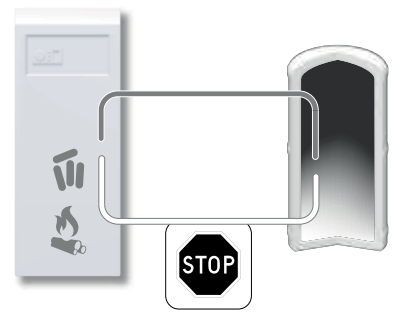
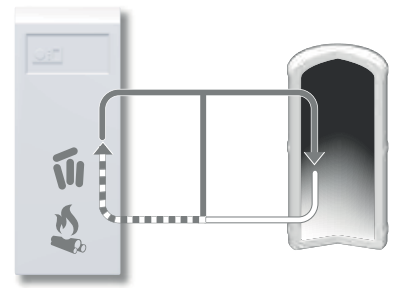


230 VAC, 50Hz

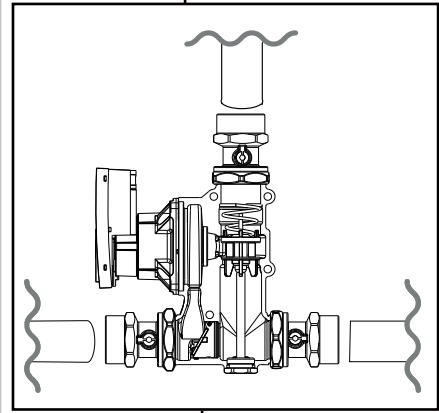
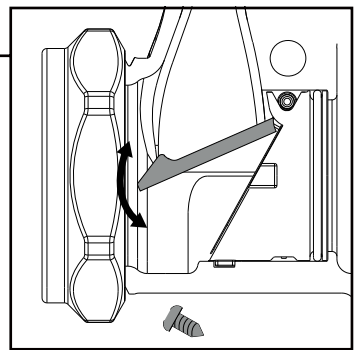
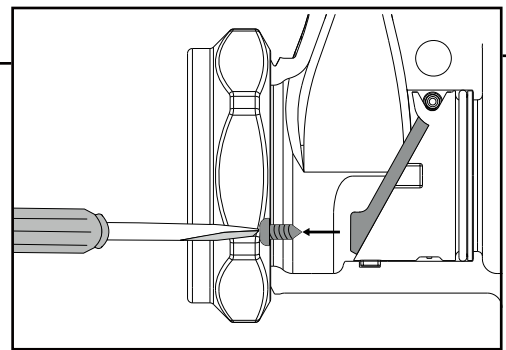
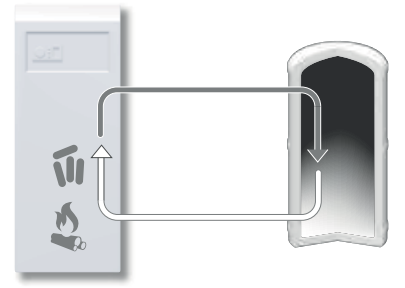
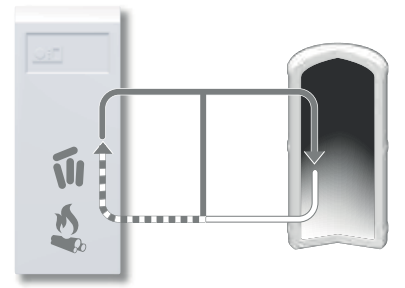


4

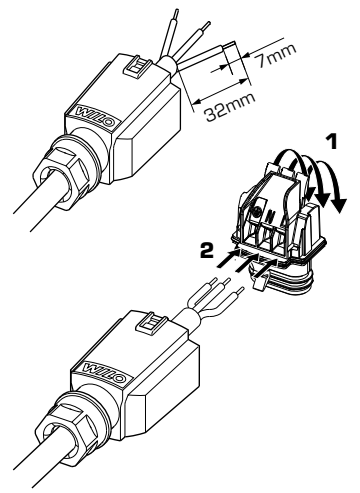
a 



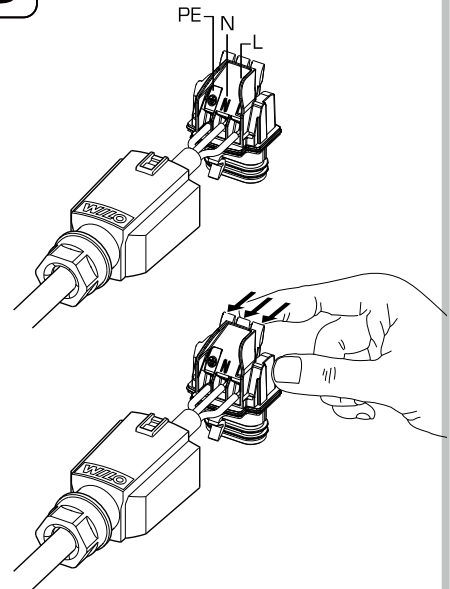
b 



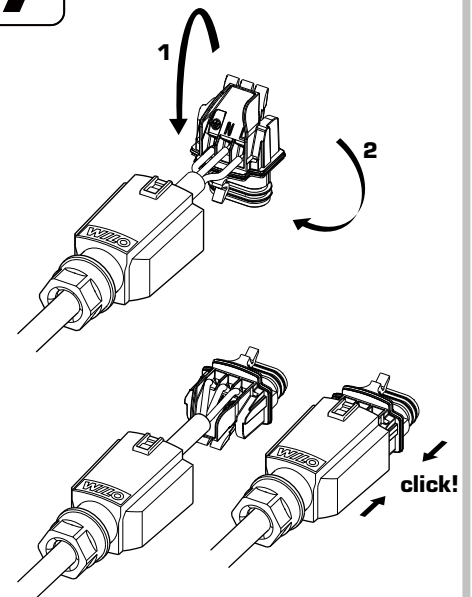
5



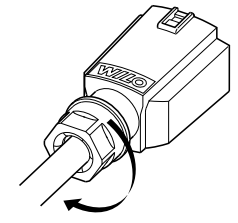
6



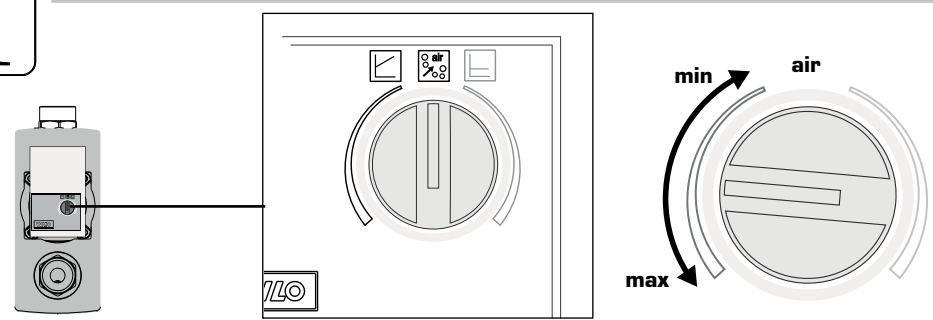
7



8



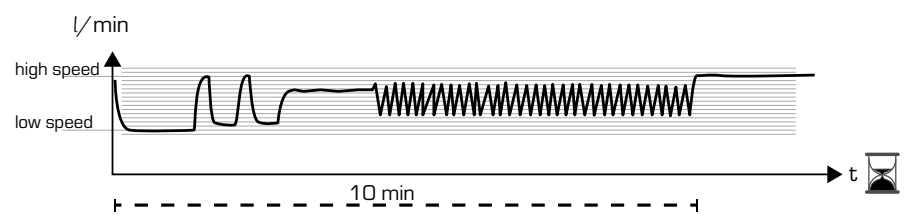
i



i

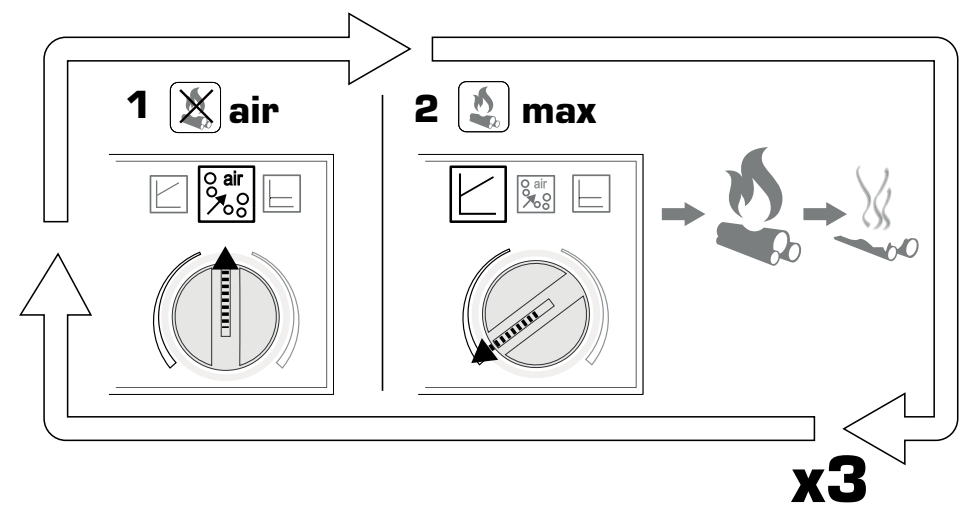


Automatic air venting routine



9

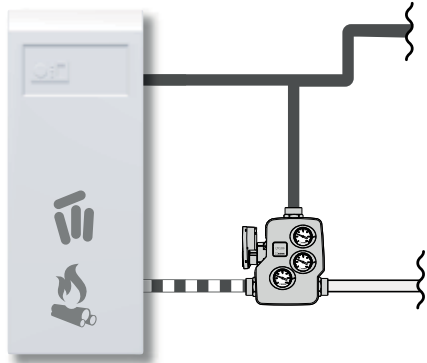
Air venting at comissioning



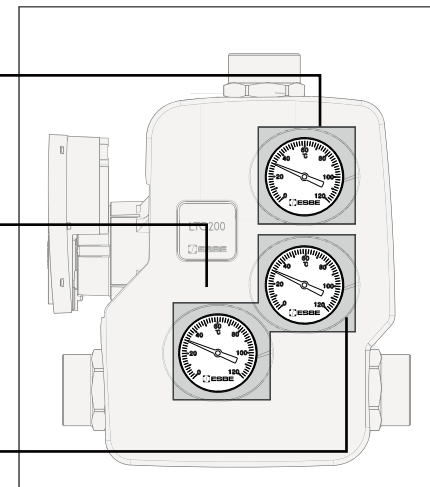
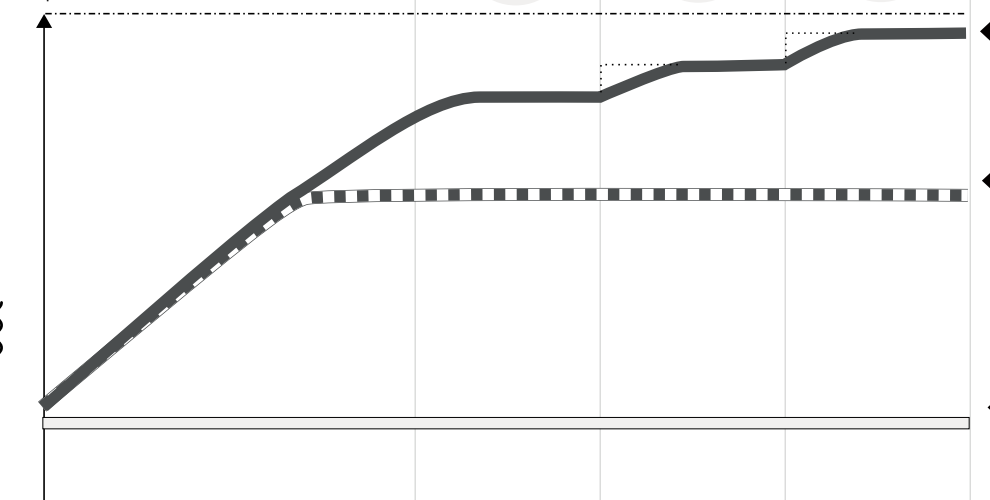
10



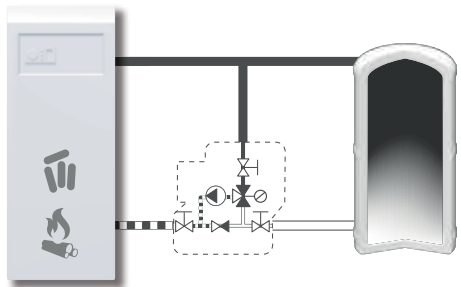
Optimising load temperature



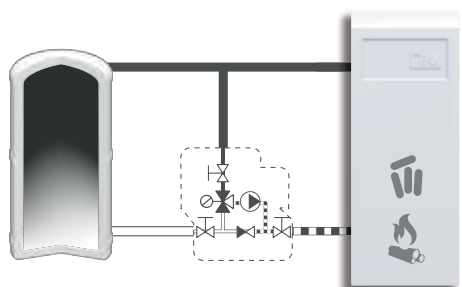
Temp °C



i

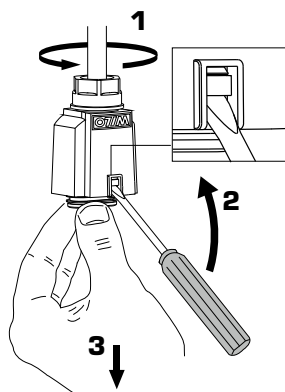


i



Piping Schematics are General Representations

i



i



www.esbe.eu