



SERIES VRB140

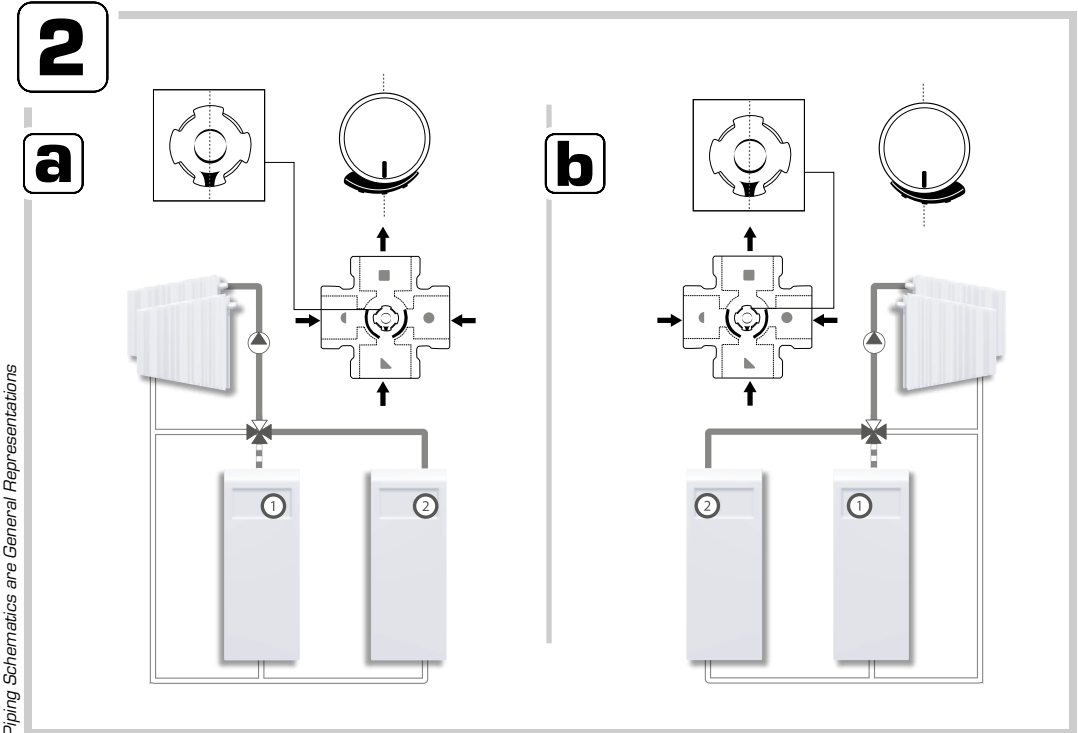
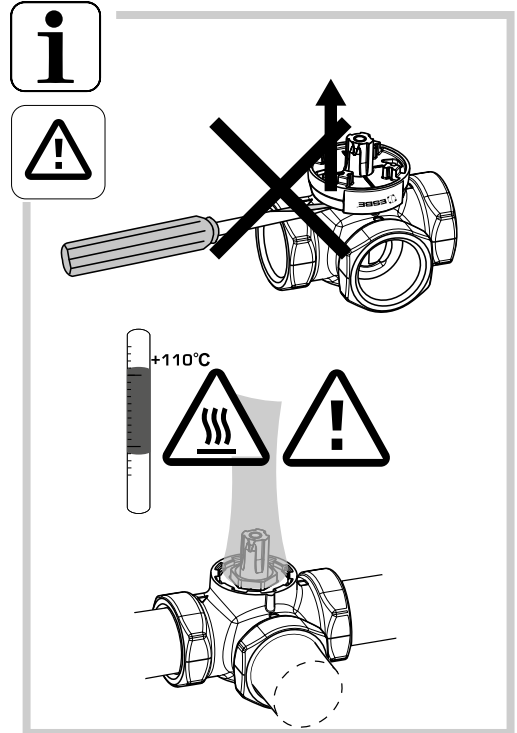
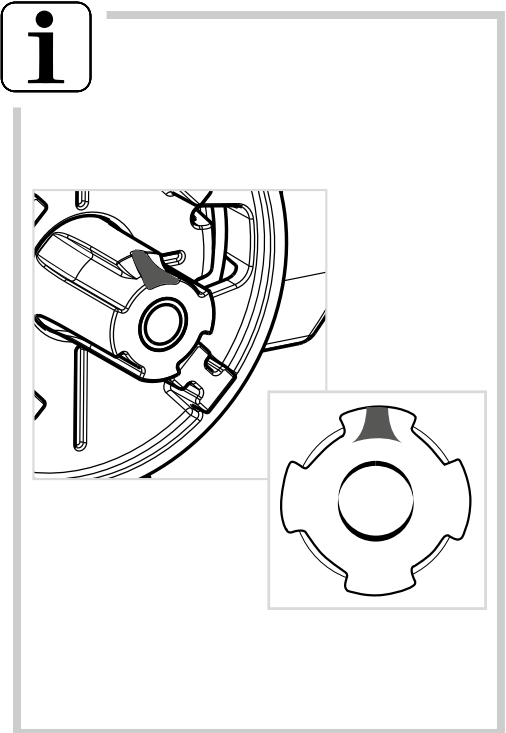
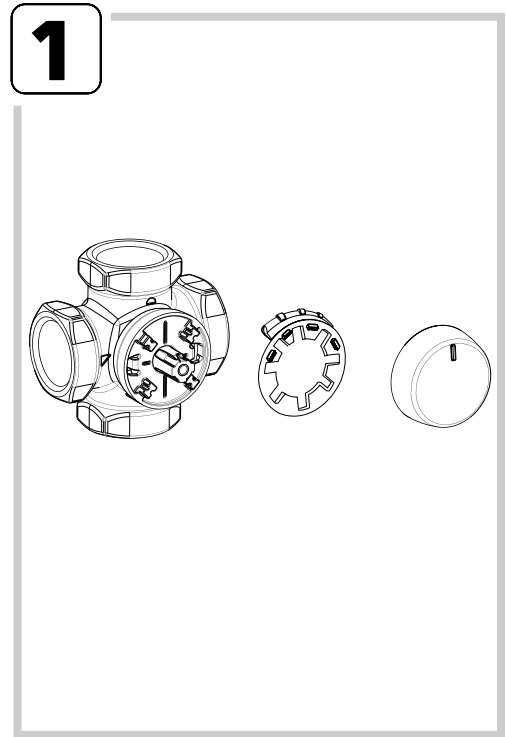
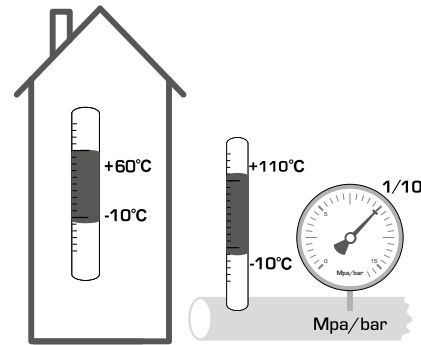


Mtrl.nr. 9814 02 71 • Ritn.nr. 7047 utg. E • Rev. 1605



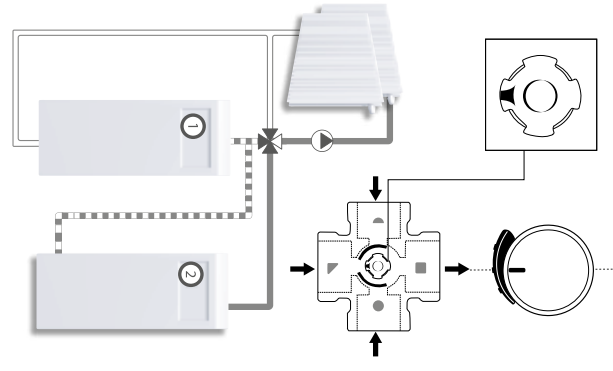
Series VRB141
Series VRB142
Series VRB143
CE

PED 2014/68/EU, article 4.3

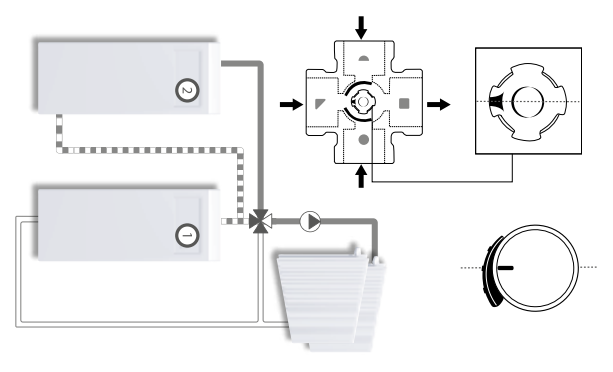


3

a

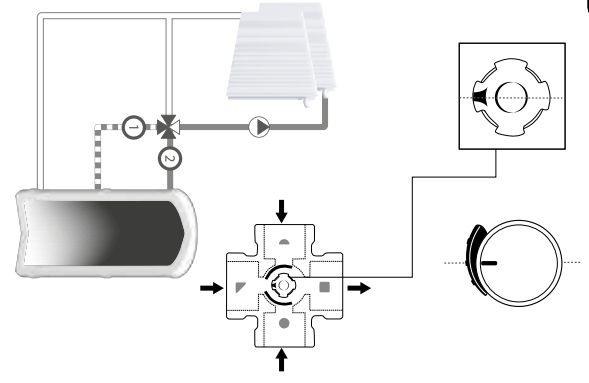


b

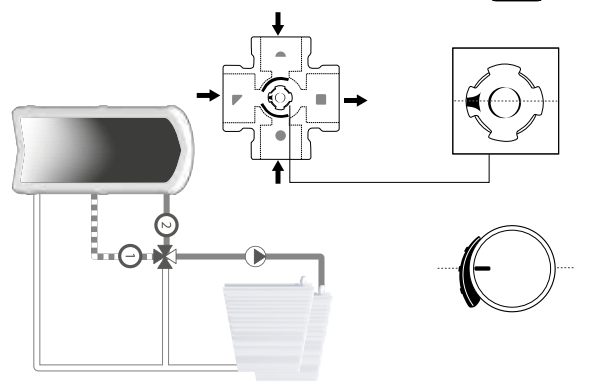


4

a

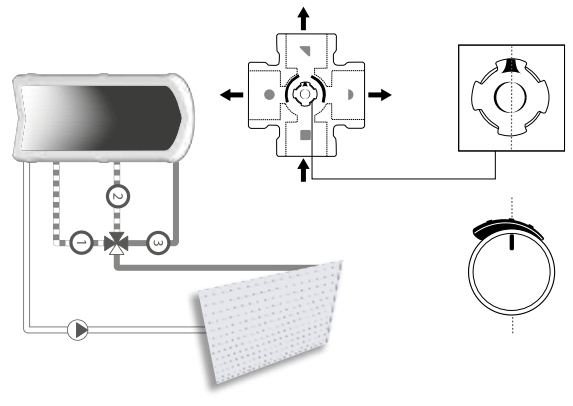


b

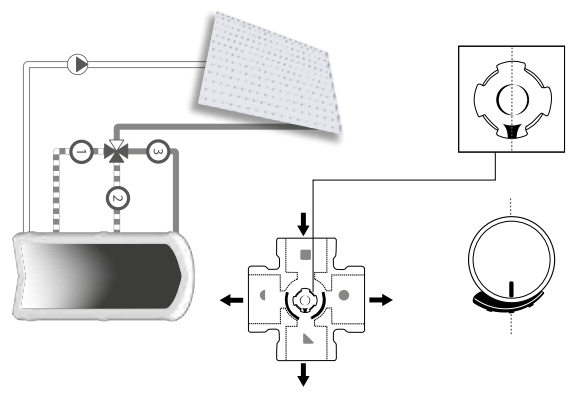


5

a



b



i

<http://www.esbe.eu/global/en/products/rotary-valves>



"We would like to pinpoint to the existence of a German patent DE 19821256C5 affecting the usage of bivalent 4-way valves in liquid circulation heating systems. In this patent the usage of a 4-way bivalent valve in a type of heating system is protected, in which 2 different heating circuits are operated in parallel, where the return of the first circuit is utilized as heat source for the parallel second heat circuit. A typical application would be a primary heat circuit with a heat source and a parallel floor heating, where the floor heating in a regulated manner is heated through its heat source and the return from the primary heat circuit is utilized as alternative secondary heat source for the floor heating. Such a utilization of our bivalent 4-way valve without approval of the patent holder is forbidden. All other applications our product group VRB are without restrictions possible."