



**SERIES VRG330**

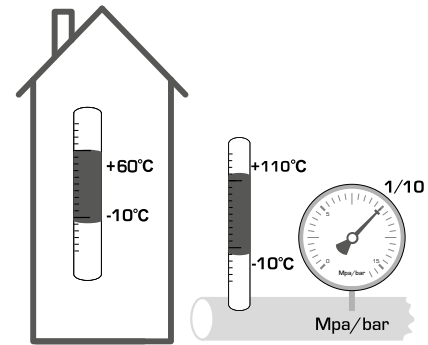
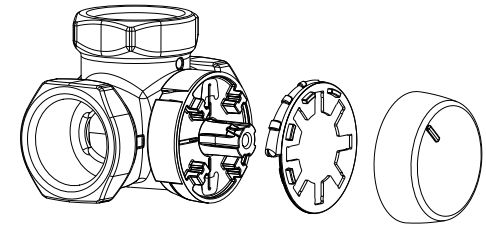


Mtrl.nr: 9814 03 04 • Ritn.nr: 7049 utg. C • Rev. 1605

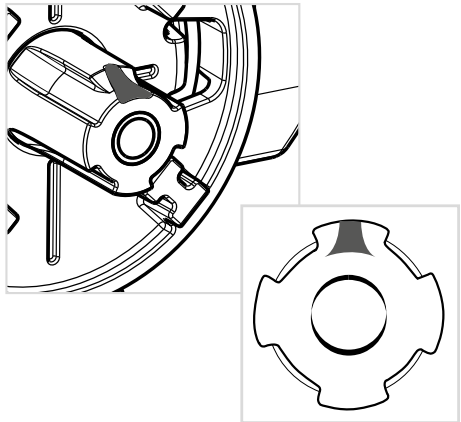


Series VRG331  
Series VRG332  
Series VRG333  
Series VRG338

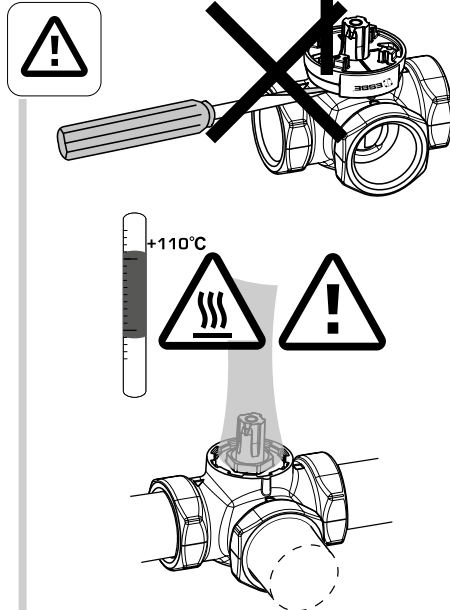
CE  
PED 2014/68/EU, article 4.3



**i**

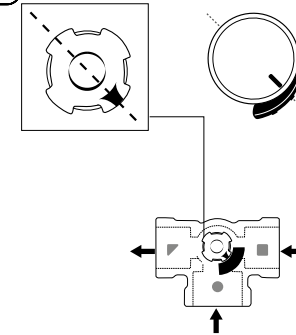


**i**

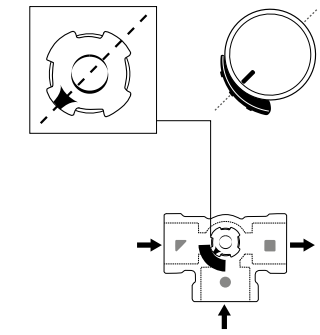


**1**

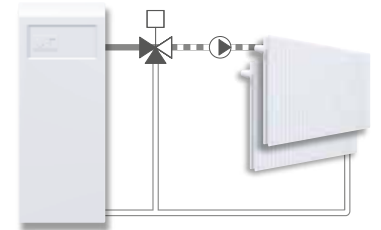
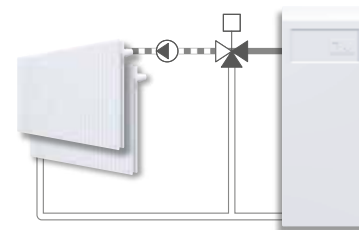
**a**



**b**

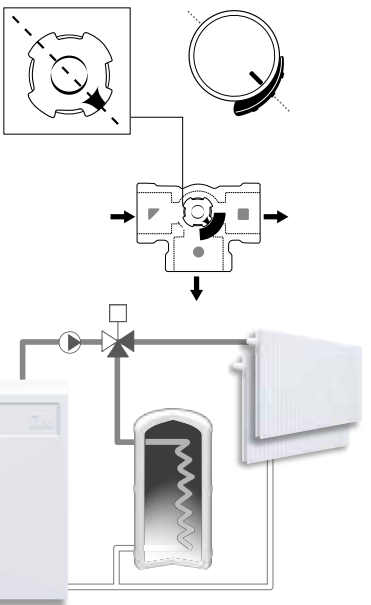


Piping Schematics are General Representations

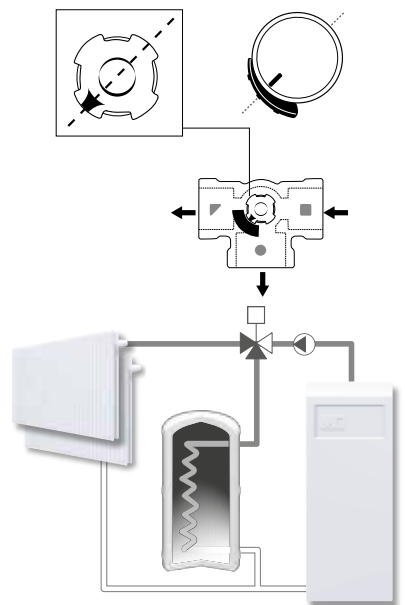


2

a



b



i



<http://www.esbe.eu/global/en/products/rotary-valves>