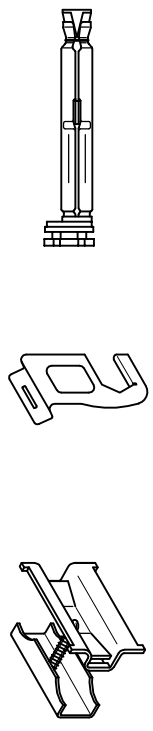


Montageanleitung
 Mounting instruction
 Guide de pose
 Istruzione di montaggio
 BKE - BH & BFS1

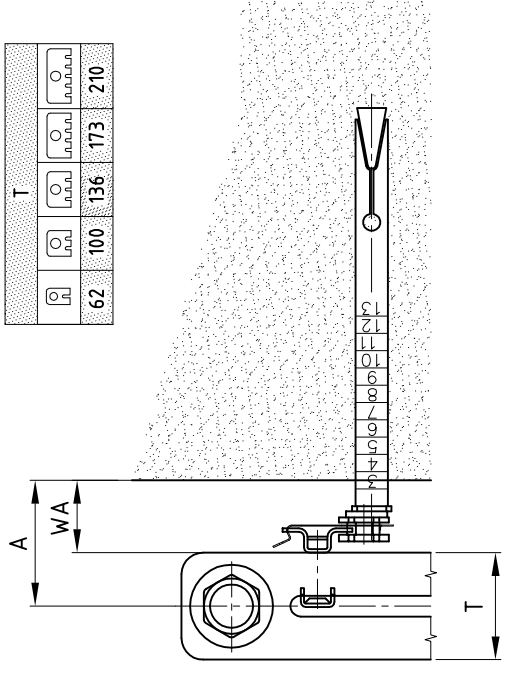
Rev.0 vom 15.05.2007
 Artikel Nr. D20059

- | | | |
|--------|-----------|---------|
| 4 x BH | 2 x BFS 1 | 4 x BKE |
| 6 x BH | 2 x BFS 1 | 6 x BKE |
| 8 x BH | 2 x BFS 1 | 8 x BKE |

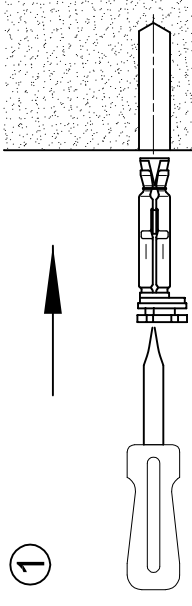


Modelle	Wa	A
2-6 S.	35-65	66-96
2-6 S.	35-65	85-115
2-6 S.	35-65	103-133
2-6 S.	35-65	121-151
2-6 S.	35-65	140-170

T	
	62
	100
	136
	173
	210

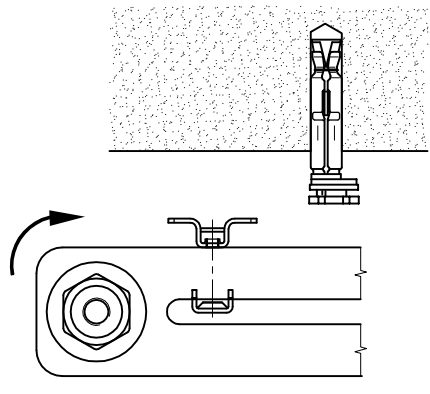


②



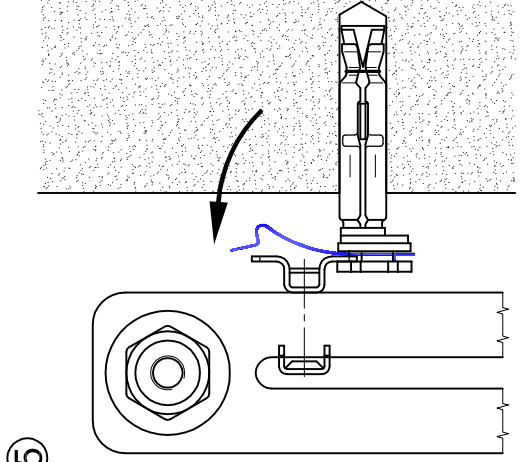
①

④

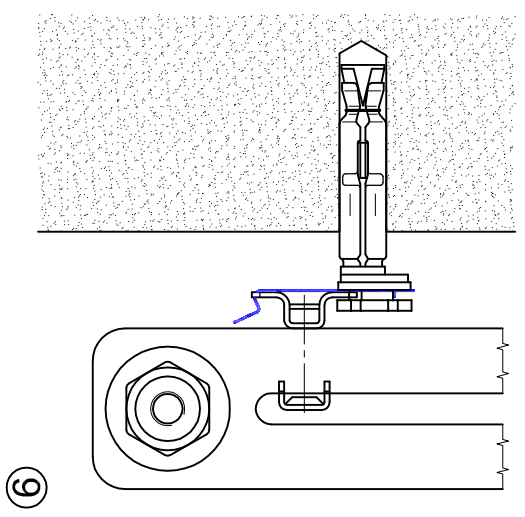


③

⑥



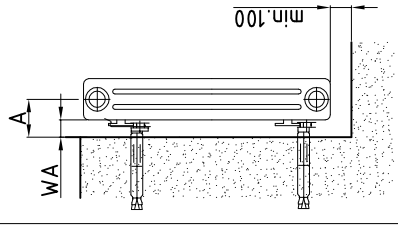
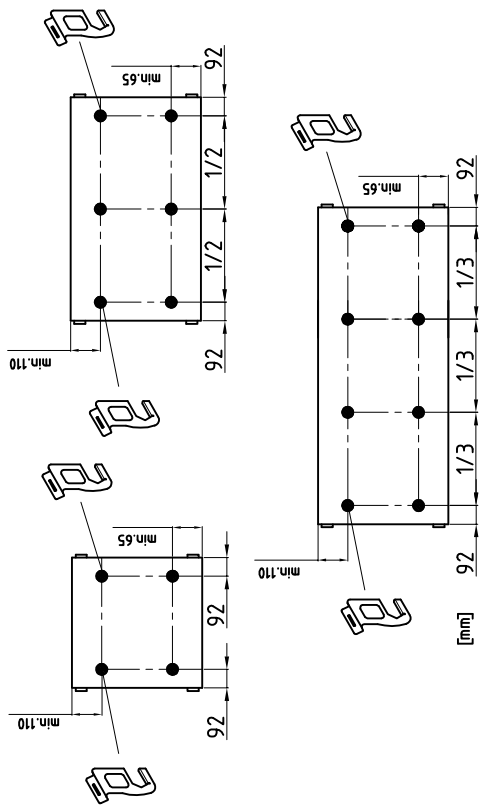
⑤



②

④

⑥



[mm]