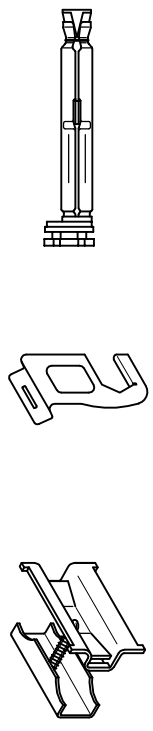


Montageanleitung  
 Mounting instruction  
 Guide de pose  
 Istruzione di montaggio  
 BKE - BH & BFS1

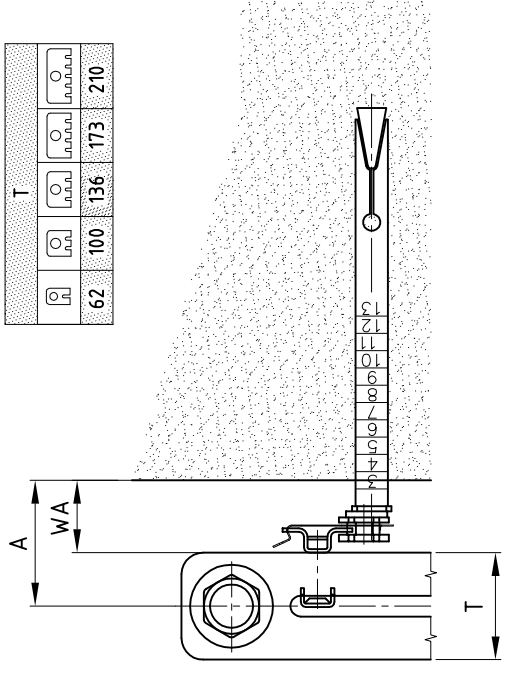
Rev.0 vom 15.05.2007  
 Artikel Nr. D20059

- |        |           |         |
|--------|-----------|---------|
| 4 x BH | 2 x BFS 1 | 4 x BKE |
| 6 x BH | 2 x BFS 1 | 6 x BKE |
| 8 x BH | 2 x BFS 1 | 8 x BKE |

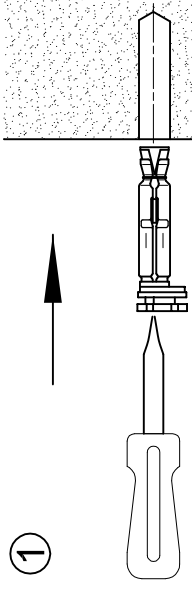


| Modelle | Wa    | A       |
|---------|-------|---------|
| 2-6 S.  | 35-65 | 66-96   |
| 2-6 S.  | 35-65 | 85-115  |
| 2-6 S.  | 35-65 | 103-133 |
| 2-6 S.  | 35-65 | 121-151 |
| 2-6 S.  | 35-65 | 140-170 |

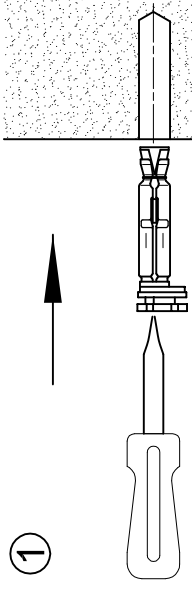
| T |     |
|---|-----|
|   | 62  |
|   | 100 |
|   | 136 |
|   | 173 |
|   | 210 |



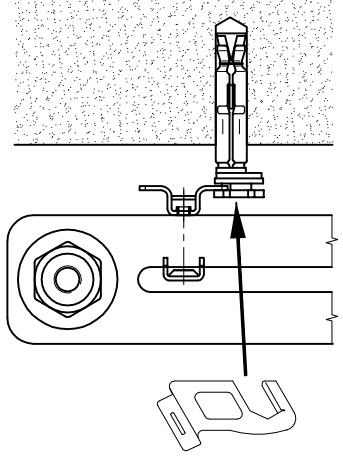
②



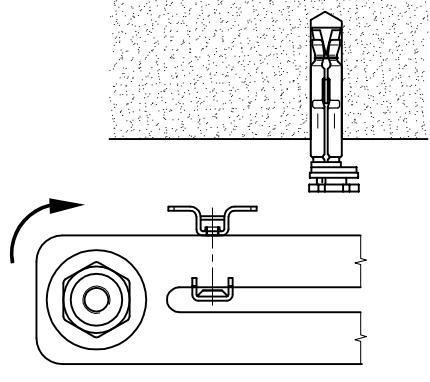
①



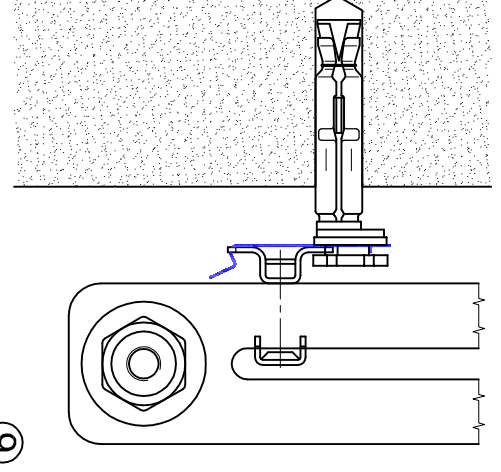
④



③



⑥



⑤

